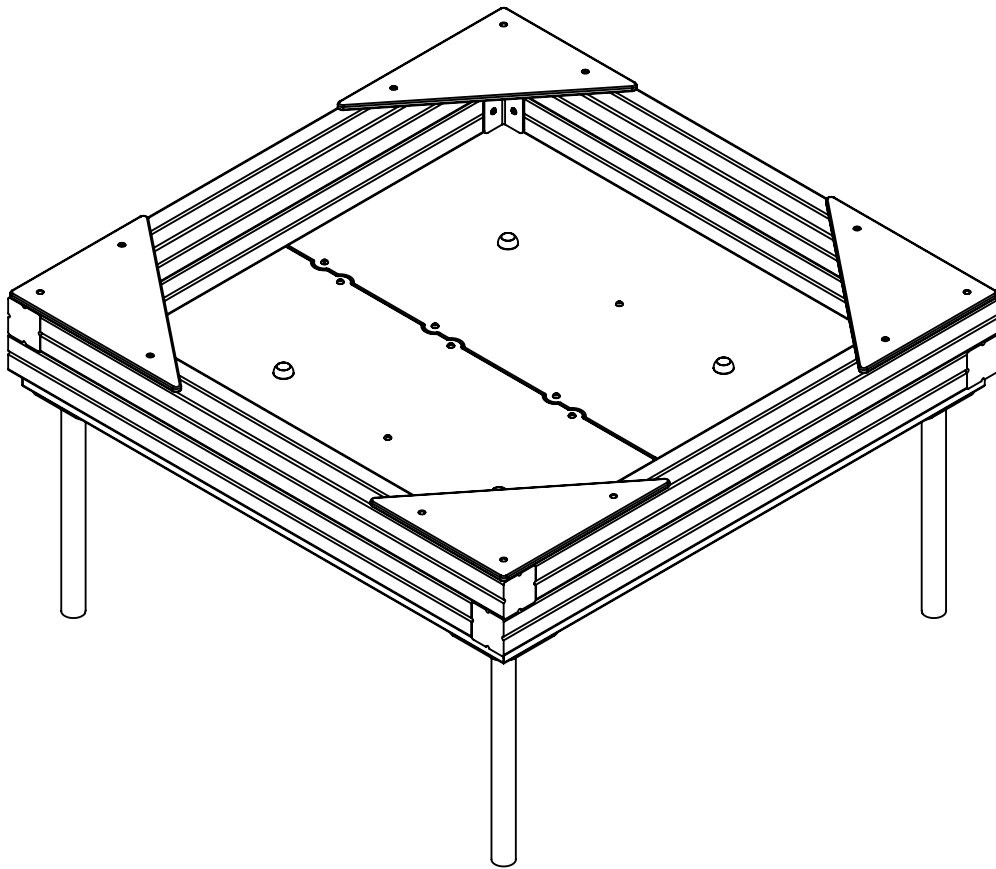
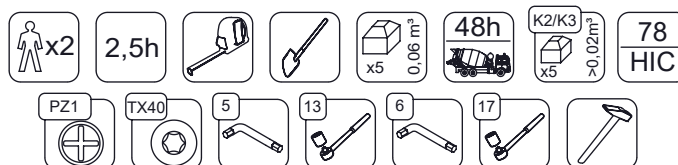


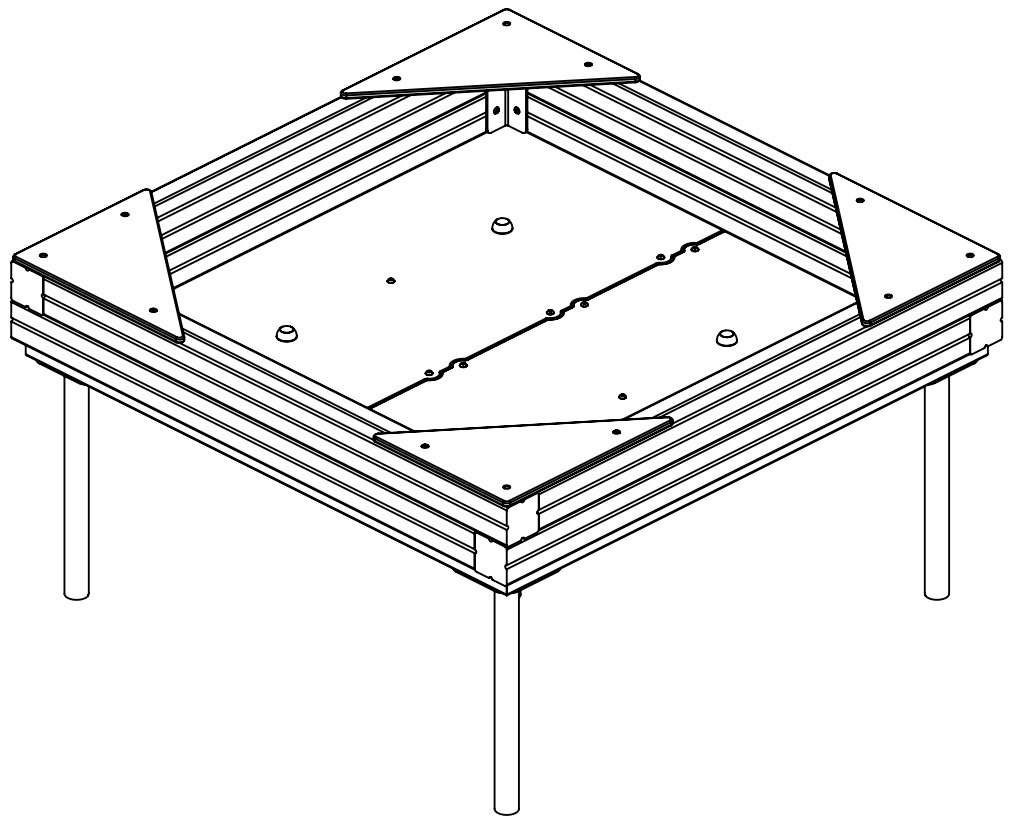
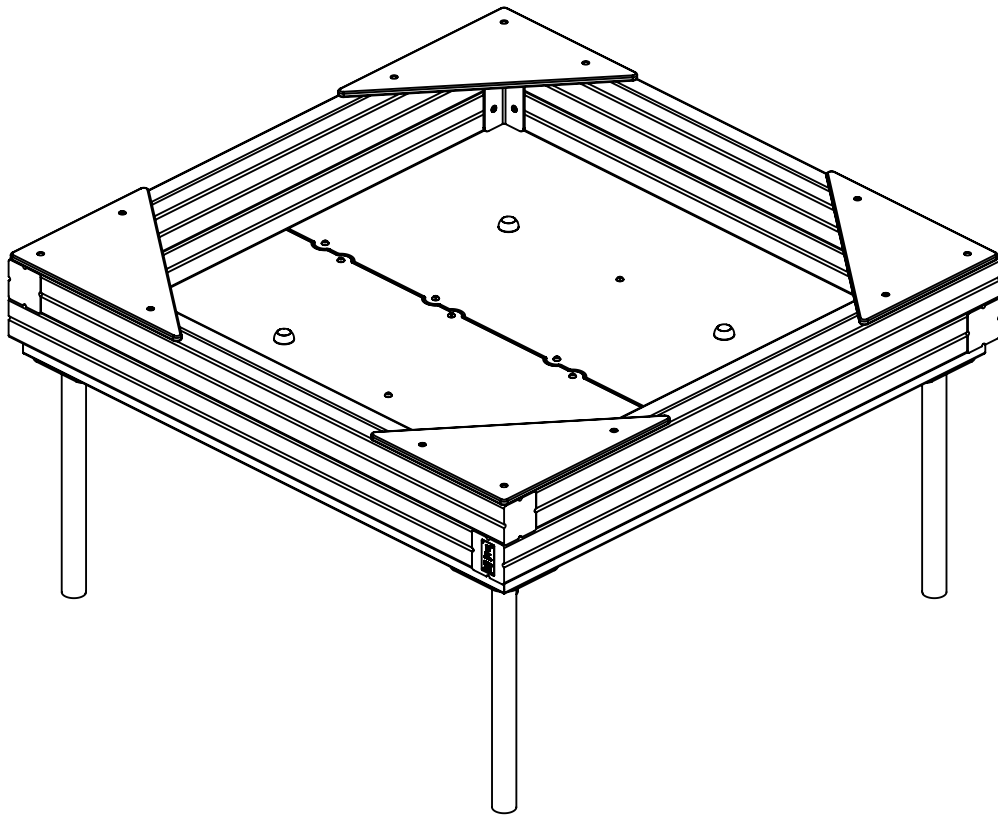
WD1482



v012
30.01.2021
A. H.
[cm]

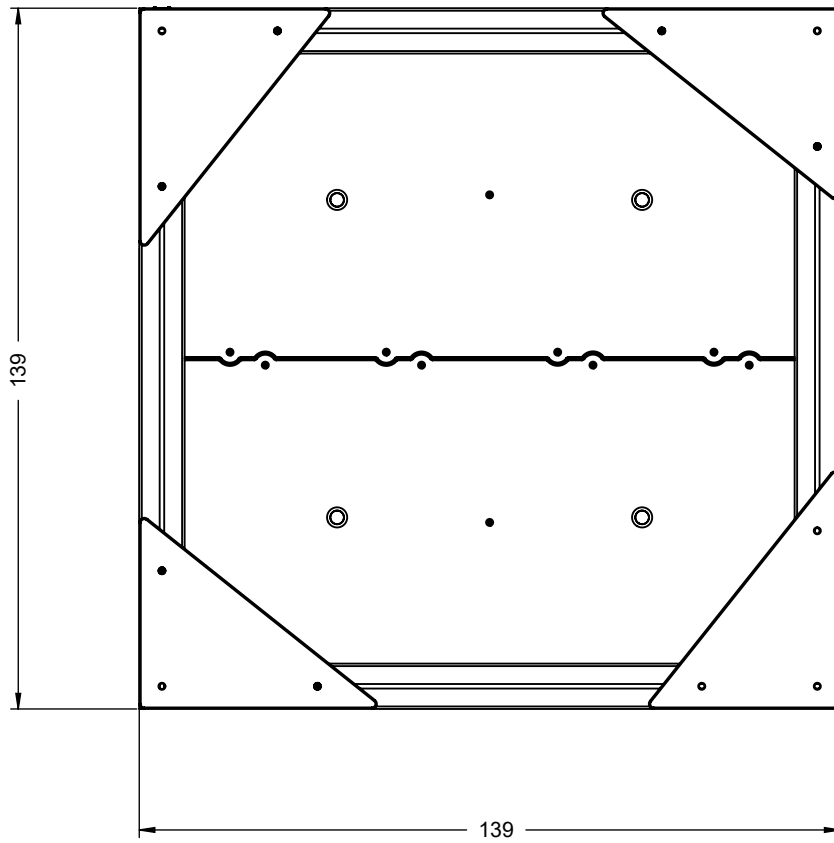
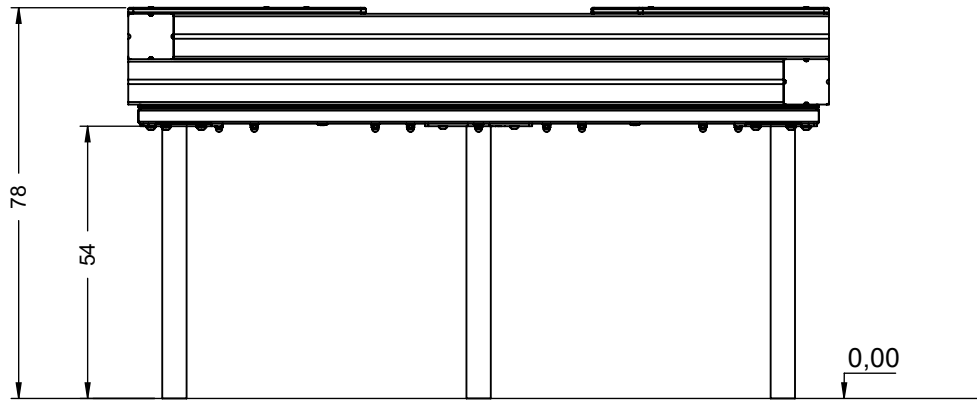


vinci
play



[cm]

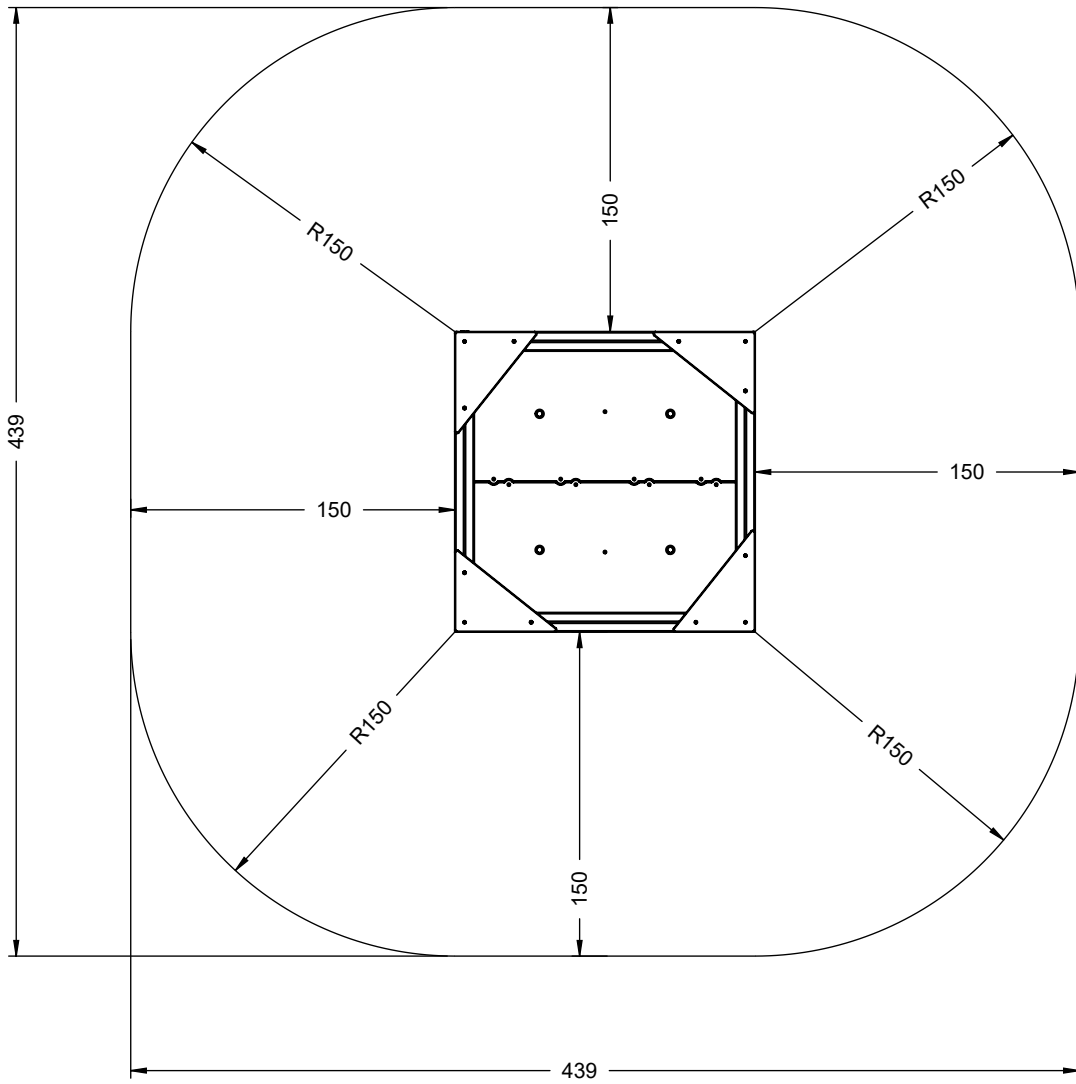
vinci
play



[cm]



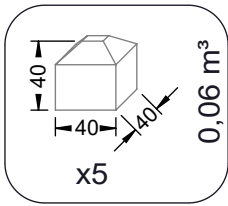
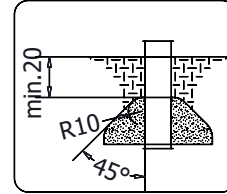
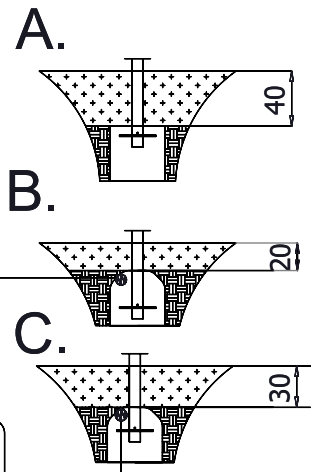
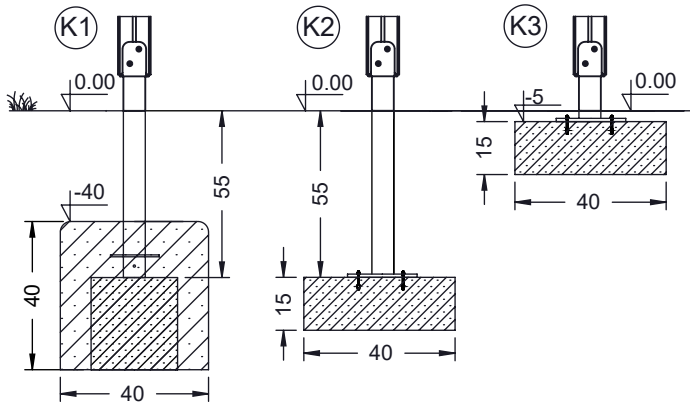
vinci
play



[cm]

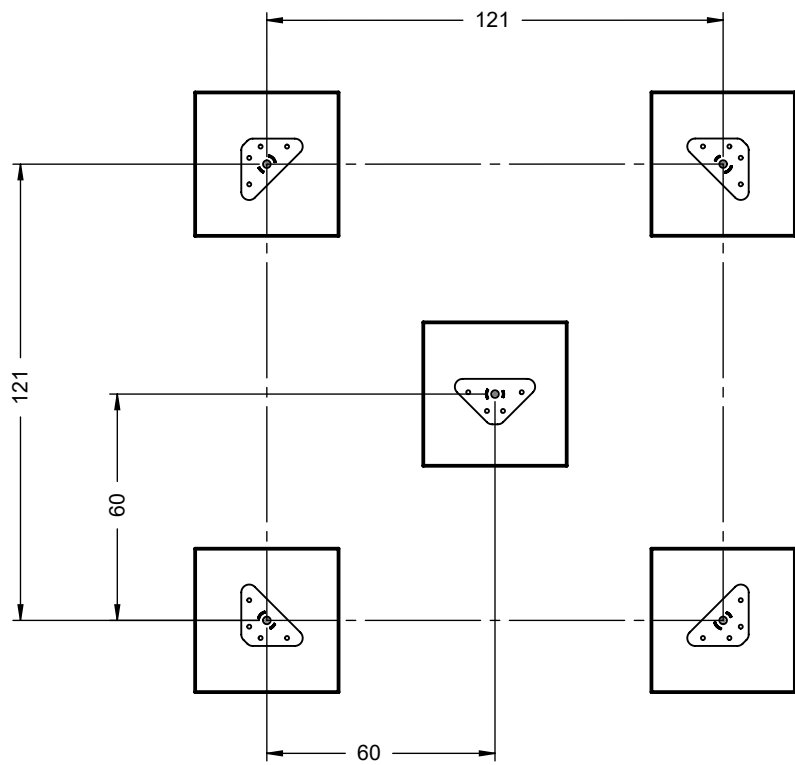


vinci
play



20x M10x120 (K2)
20x M10x120 (K3)

NOT INCLUDED



[cm]

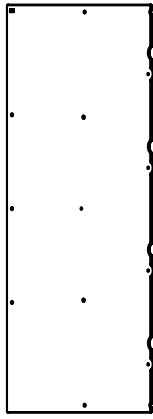
x2
 2,5h

 48h
 x5 0,06 m³
 x5 K2/K3 >0,02m³

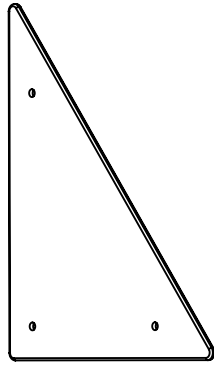
vinci play



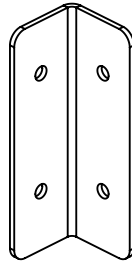
14713090
x8



141361
x2



141264
x4



b351
x4



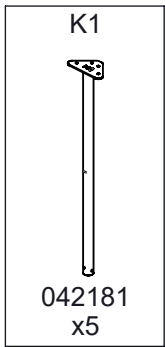
143190
x4



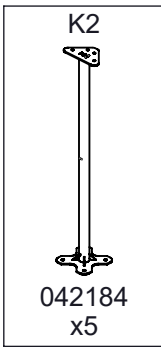
143191
x1



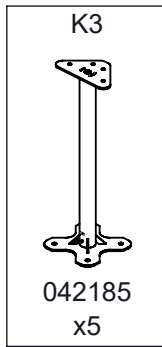
143192
x2



042181
x5

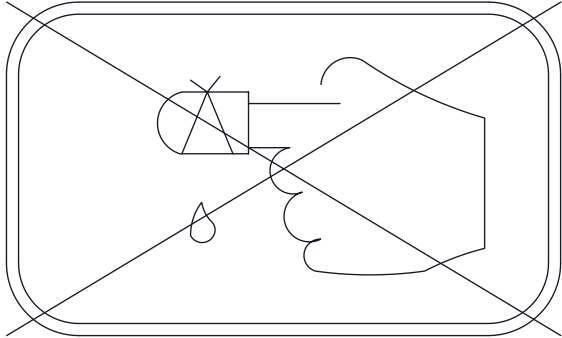
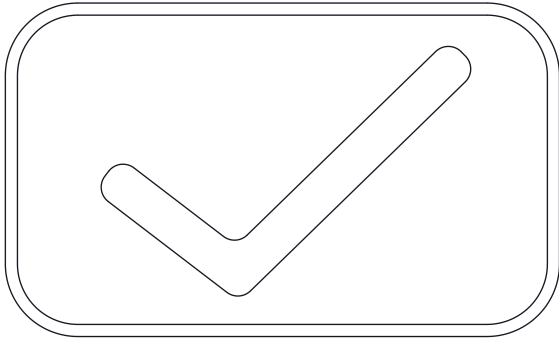
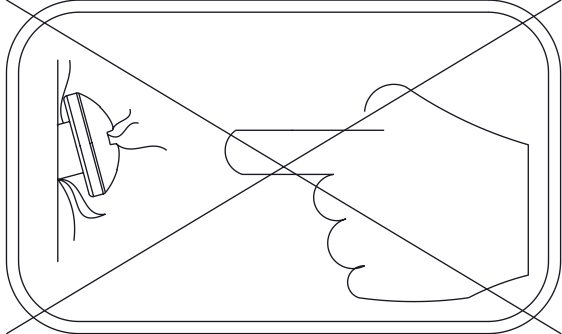
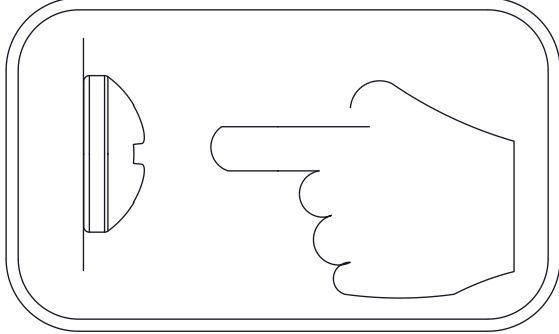
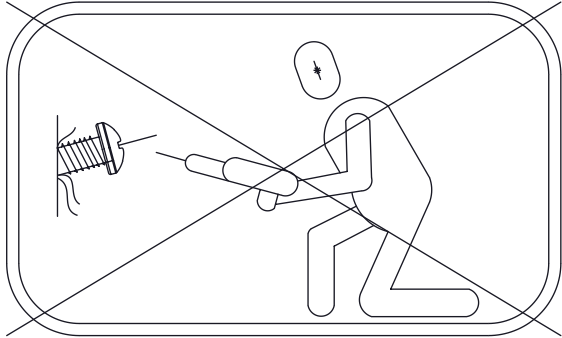
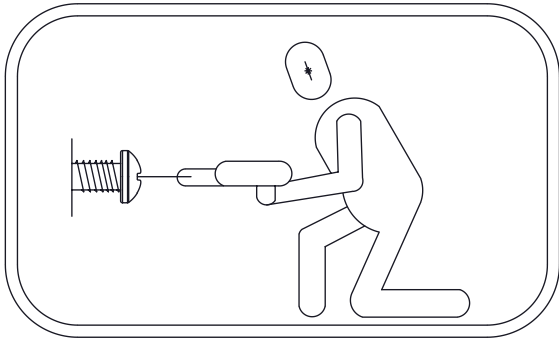


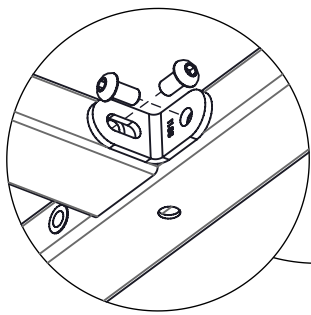
042184
x5



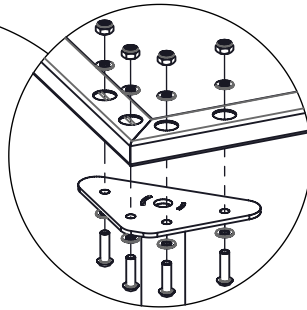
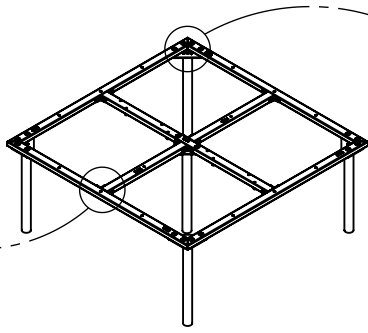
042185
x5

1x	WD195
1x	WD167
2x	WD169
28x	8x50 sxi
12x	8x160 sxt
1x	V001



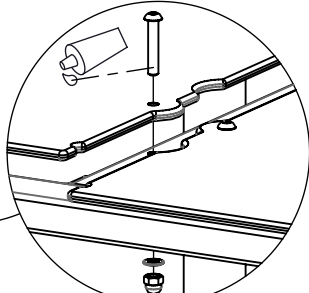
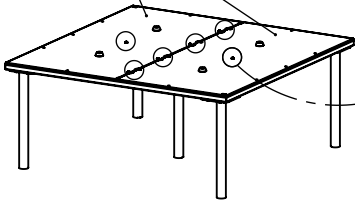


WD195

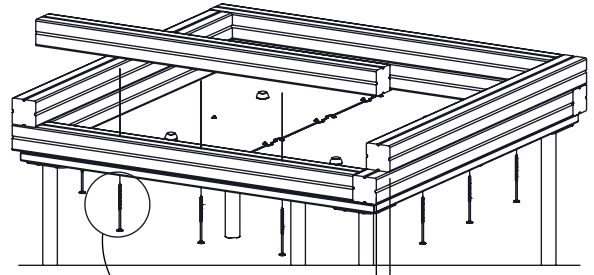


WD167

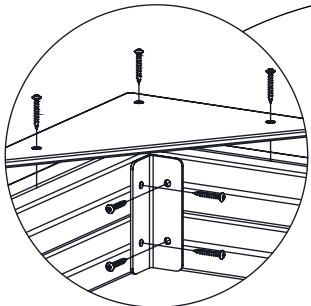
141361



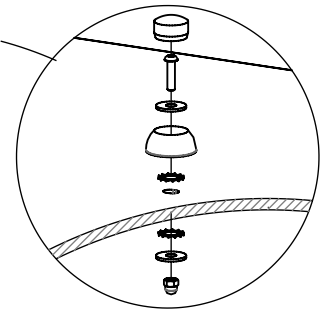
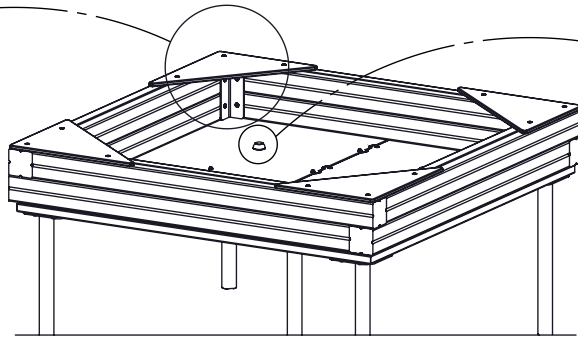
WD169



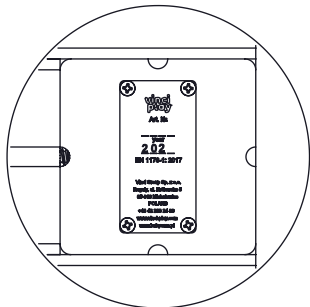
8x160 sxt



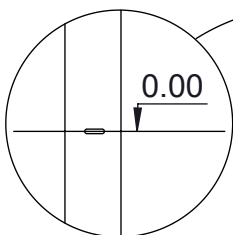
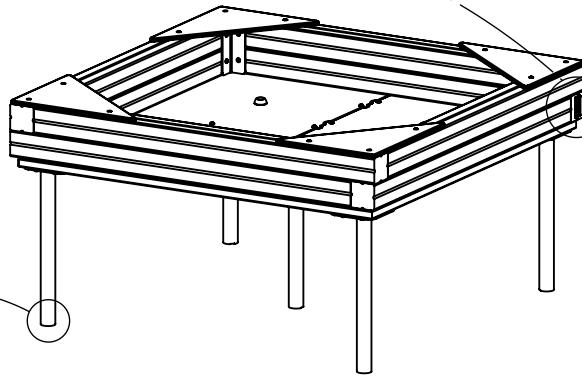
8x50 sxi



WD168



V001



0.00

[cm]



vinci play