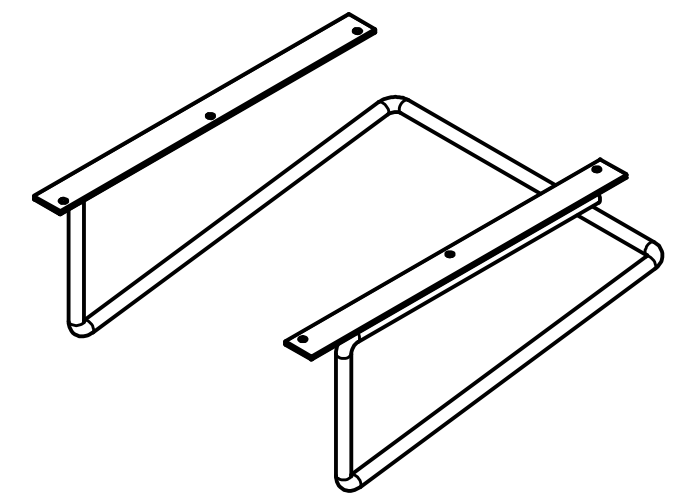
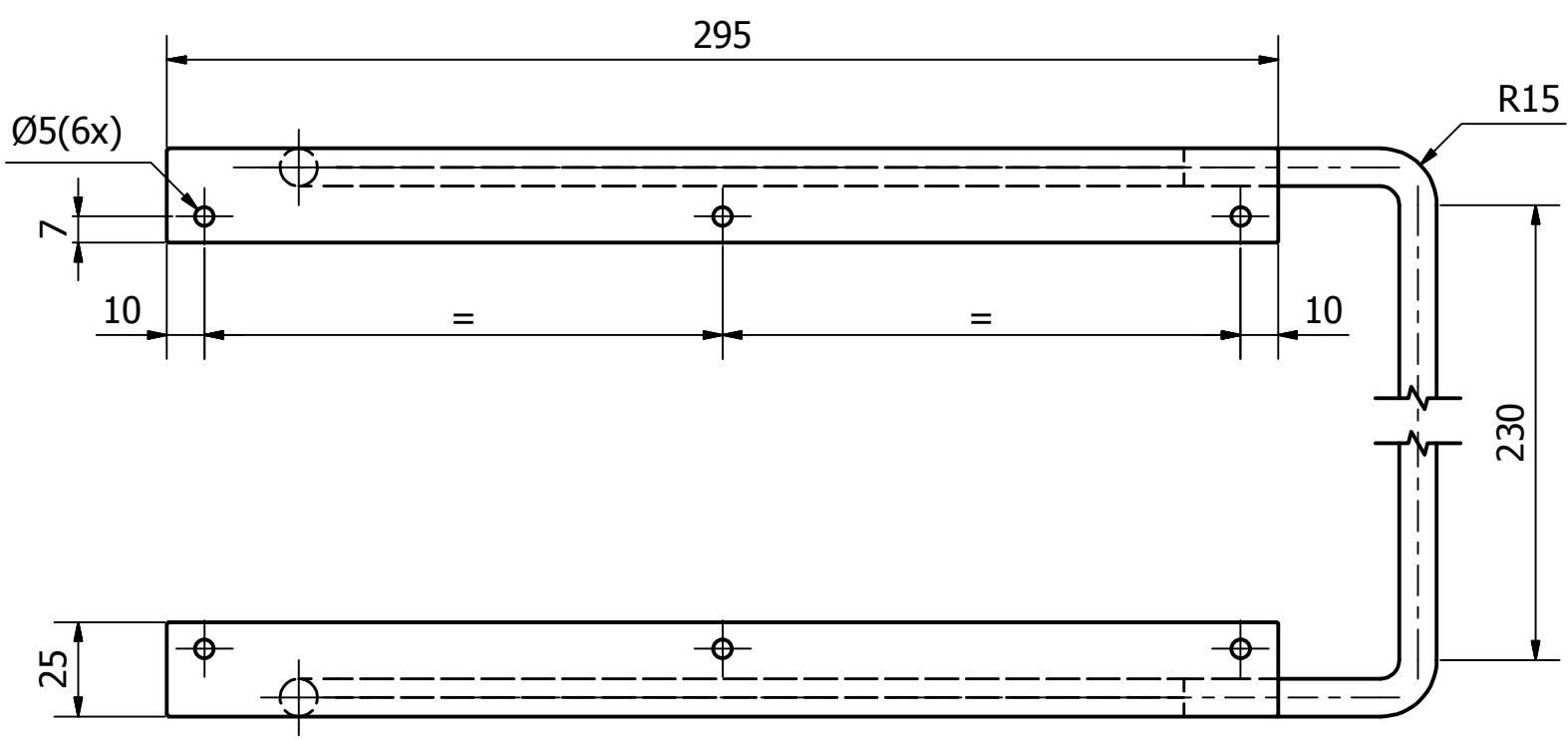
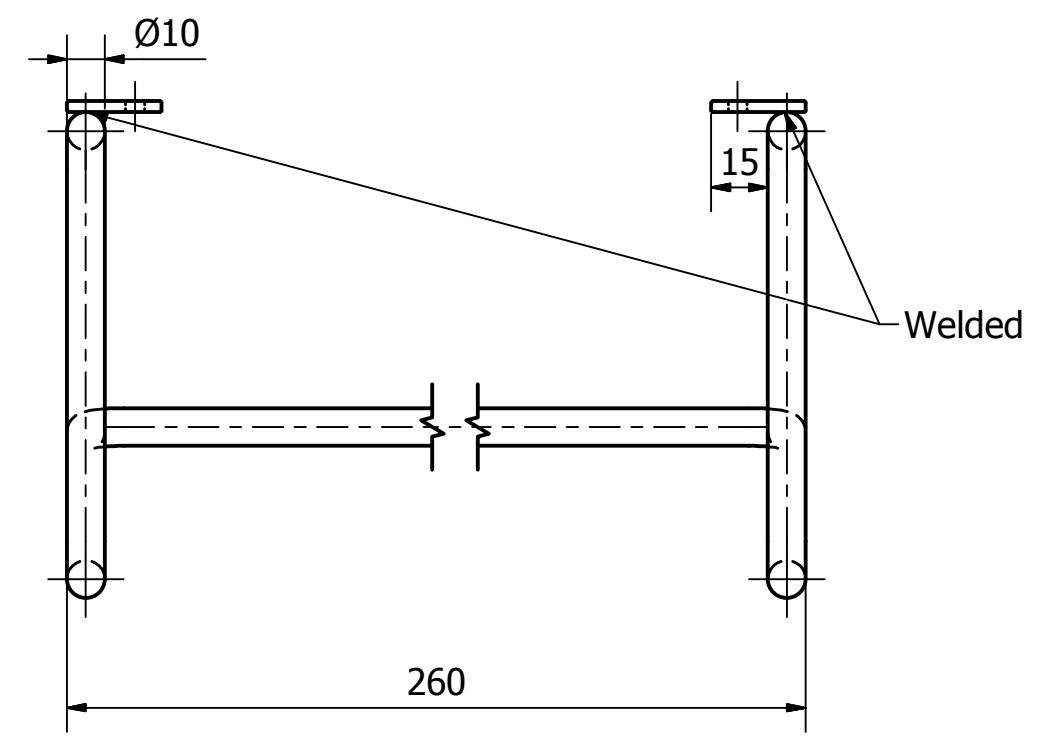
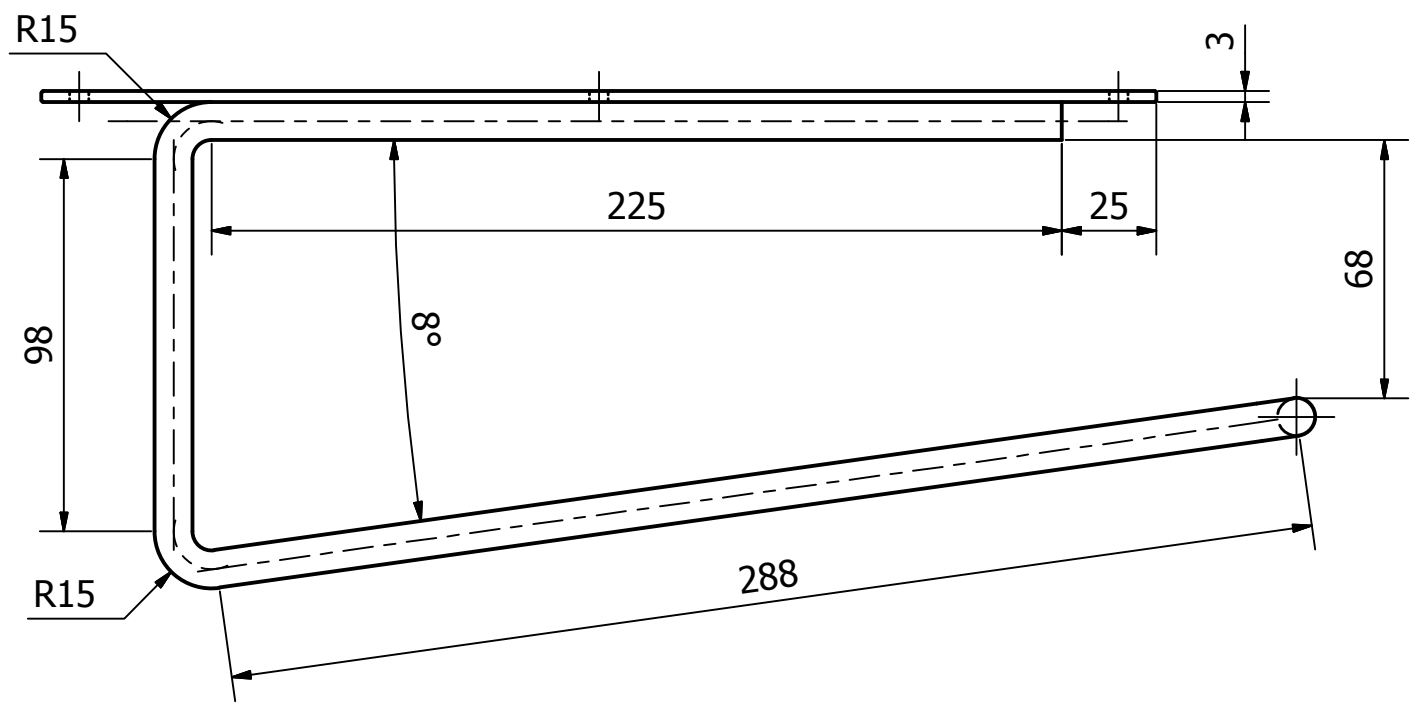


Item △	Quantity	Edited by PiLen	Approved date	Approved by
-----------	----------	--------------------	---------------	-------------



A3

Measurements acc. to the SI systems
This drawing is Lekolar property and is covered by industrial and intellectual property rights and should, without written consent from Lekolar, in no way be copied, reproduced or communicated or otherwise used for any other purpose other than that which has been agreed.

RAL 9006

BURRS, SHARP EDGES OR CORNERS ARE NOT ALLOWED

Created by PiLen	Checked by	Tolerance according to ISO 2768 m	Scale 1:1	
Designed by	Product type SUSPENSION FITTING		Date 2013-11-08	
		Product name MATTE	Document number PD-003875	