



**Product technical sheet**

**ROBINIA RB1262**



5+



6 kids



21,3 m<sup>2</sup>

**Material specification**

- Construction made of Robinia - very durable acacia wood with a diameter of ~ 18 cm without sharp edges, resistant to weather conditions,
- Climbing stones made of durable HPL plate, resistant to weather conditions, and stainless steel,
- Stainless steel and/or galvanized steel screws,



**Physical development**

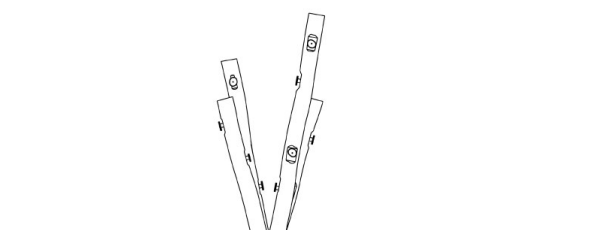
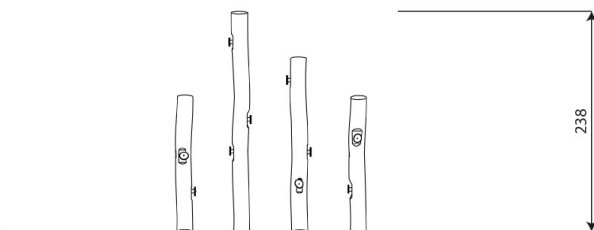
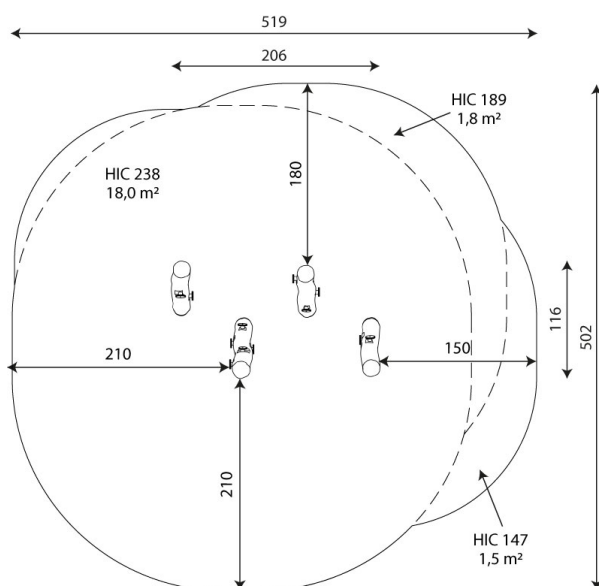


climbing





**1**  
number of activity elements



**Product technical sheet**

**ROBINIA RB1262**

**Product data**

Length	206 cm
Width	116 cm
Total height	238 cm
Age group	5+ years
Number of users	6 kids
Safety zone	21,3 m2
Free fall height	238 cm
In accordance with norm EN	1176-1:2017
Weight of the heaviest part	81 kg
Dimensions of the largest part	350x18x18 cm
Availability of spare parts	YES
Installation time	2,0 h

Data is subject to change without prior notice.

**Additional information**

- equipment intended for public playgrounds;
- equipment has a certificate issued by an accredited entity or a declaration of conformity;
- no sharp edges or chinks that would pose a danger of jimmie the head, fingers or any other body parts;
- anchoring on flat surface, 100 cm deep;
- render is for reference only, the actual appearance of the equipment and its color may vary;

**Guarantee**

**30** 30 year guarantee - Structural strength of steel and stainless steel components

**15** 15 year guarantee - Structural failure of steel and stainless steel, for dynamic equipment

**10** 10 year guarantee - Structural failure of high density polyethylene and high pressure laminates components

**5** 5 year guarantee - Corrosion of stainless steel and hot dip galvanized and powder coated components; against bark beetles and rot in case of wooden structural elements

Detailed information in the guarantee card



## Surfaces according to EN 1176-1:2017

	Description (mm)	Layer thickness (cm)	Maximum fall heights (cm)
Turf/ top layer of soil (A,B,C)	-	-	≤100
bark (A,C)	Particle size from 20 to 80	30	≤200
		40	≤300
woodchips (A,C)	Particle size from 5 to 30	30	≤200
		40	≤300
sand or gravel (A,C)	Particle size from 0,25 to 8	30	≤200
		40	≤300
synthetic attested (A,B,C)	Tested according to EN 1177		238

## Product technical sheet

# ROBINIA RB1262

### Amount of safe surface corresponding with free fall height:

HIC 147	1,5 m <sup>2</sup>
HIC 189	1,8 m <sup>2</sup>
HIC 238	18,0 m <sup>2</sup>

Data is subject to change without prior notice.

