

# MINISWEET 0113



1 - 8 years



27 kids



30,5 m<sup>2</sup>



## Material specification

- Stainless steel, hot-dip galvanized and powder coated or powder galvanized and powder coated steel construction of 80 x 80 cm profile,
- Balconies of hot-dip galvanized and powder coated steel,
- Platforms and steps made of durable anti-slip and waterproof plywood or HPL plate,
- Side panels made of durable HDPE or HPL plate, resistant to weather conditions,
- Slides made of stainless steel with durable HDPE or HPL side panels,
- Educational panels and moving elements made of HDPE or HPL plate, resistant to weather conditions,
- Spherical windows made of polycarbonate,
- Flags and rudders made of durable HDPE plate, resistant to weather conditions,
- Steel ropes in polypropylene braid, connected with durable plastic elements, stainless steel or aluminum,
- Stainless steel bars and handrails,
- Screws covered with plastic caps and/or stainless steel screws,
- Safe end caps on top of the structure made of rubber or polypropylene,



### Facilitating disability



easy access



integration



### Intellectual development



manipulation



sight



thinking



### Physical development



sliding





**2**  
number of towers



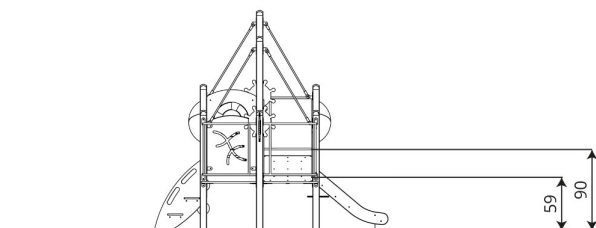
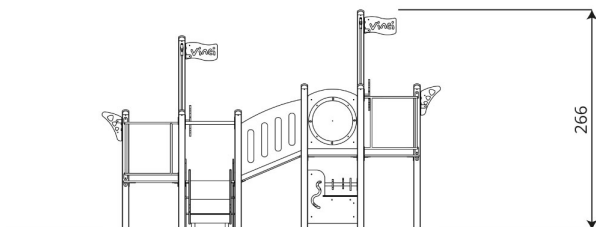
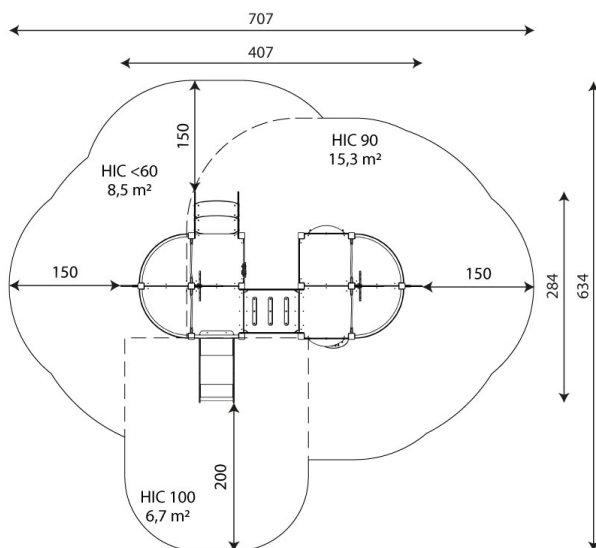
**1**  
number of slides



**5**  
number of interactive elements



stairs



**Product technical sheet**

**MINISWEET 0113**

**Product data**

Length	407 cm
Width	284 cm
Total height	266 cm
Age group	1 - 8 years
Number of users	27 kids
Safety zone	30,5 m2
Free fall height	90 cm
The height of the platforms	59,90 cm
In accordance with norm EN	1176-1:2017
Weight of the heaviest part	11 kg
Dimensions of the largest part	255x8x8 cm
Availability of spare parts	YES
Installation time	8,0 h
Color options	

Data is subject to change without prior notice.

**Additional information**

- equipment adapted for the disabled; intended for public playgrounds;
- equipment has a certificate issued by an accredited entity or a declaration of conformity;
- no sharp edges or chinks that would pose a danger of jimmie the head, fingers or any other body parts;
- anchoring on flat surface, 80/70/60 cm deep;
- slide should not be installed southwards;
- render is for reference only, the actual appearance of the equipment and its color may vary;

**Guarantee**

**30** 30 year guarantee - Structural strength of steel and stainless steel components

**15** 15 year guarantee - Structural failure of steel and stainless steel, for dynamic equipment

**10** 10 year guarantee - Structural failure of high density polyethylene and high pressure laminates components

**5** 5 year guarantee - Corrosion of stainless steel and hot dip galvanized and powder coated components; against bark beetles and rot in case of wooden structural elements

Detailed information in the guarantee card

**Vinci Group Sp. z o.o.**  
Seminarnyja 9 Street  
99-400 Łowicz

VAT: 534-250-14-46  
PHONE: +48 42 203 24 99 ext. 26  
M: +48 793 404 991



biuro@vinci-play.com  
info@vinci-play.com  
[www.vinci-play.com](http://www.vinci-play.com)

## Surfaces according to EN 1176-1:2017

	Description (mm)	Layer thickness (cm)	Maximum fall heights (cm)
Turf/ top layer of soil (A,B,C)	-	-	≤100
bark (A,C)	Particle size from 20 to 80	30	≤200
		40	≤300
woodchips (A,C)	Particle size from 5 to 30	30	≤200
		40	≤300
sand or gravel (A,C)	Particle size from 0,25 to 8	30	≤200
		40	≤300
synthetic attested (A,B,C)	Tested according to EN 1177		100

## Product technical sheet

# MINISWEET 0113

### Amount of safe surface corresponding with free fall height:

HIC <60	8,5 m <sup>2</sup>
HIC 90	15,3 m <sup>2</sup>
HIC 100	6,7 m <sup>2</sup>

Data is subject to change without prior notice.

