

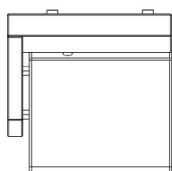
MR. BOX MODUL ASSEMBLY INSTRUCTIONS FOR LINKING



MR. BOX MODUL ASSEMBLY INSTRUCTIONS FOR LINKING

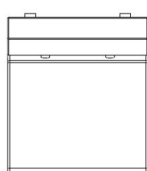
GENERAL INFORMATION

Mr.Box Modul series consists of 10 selectable items. 1, 2 and 3-seat elements with or without the elbow rest on the right or left side, in addition to the corner. All elements can be expanded unlimited both to the right and the left. At the joints where two elements are assembled, one leg set can be removed. 1 bone set per joint holder.



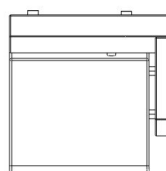
ART.NR 110325

W:75 H:80,2 D:74,5 cm



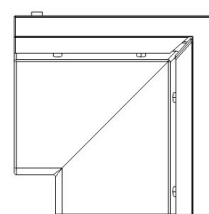
ART.NR 110324

W:65 H:80,2 D:74,5 cm



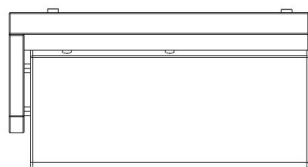
ART.NR 110326

W:75 H:80,2 D:74,5 cm



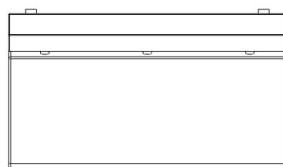
ART.NR 110342

W:92 H:80,2 D:74,5 cm



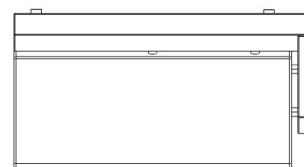
ART.NR 110331

W:140 H:80,2 D:74,5 cm



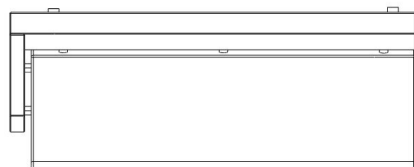
ART.NR 110330

W:130 H:80,2 D:74,5 cm



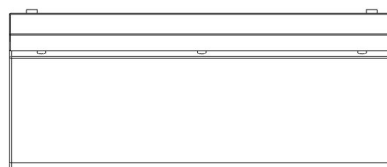
ART.NR 110332

W:140 H:80,2 D:74,5 cm



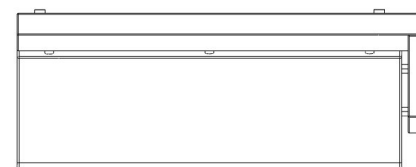
ART.NR 110337

W:190 H:80,2 D:74,5 cm



ART.NR 110336

W:180 H:80,2 D:74,5 cm



ART.NR 110338

W:190 H:80,2 D:74,5 cm

MR. BOX MODUL ASSEMBLY INSTRUCTIONS FOR LINKING

SUGGESTION FOR LINKING

Mr Box Modul can be used in many different ways. Here is a suggestion for linking:

110330 2-seat combined with 110331 2-seat elbow rest right

110332 2-seat elbow rest left combined with 110342 corner module and 110330 2-seat

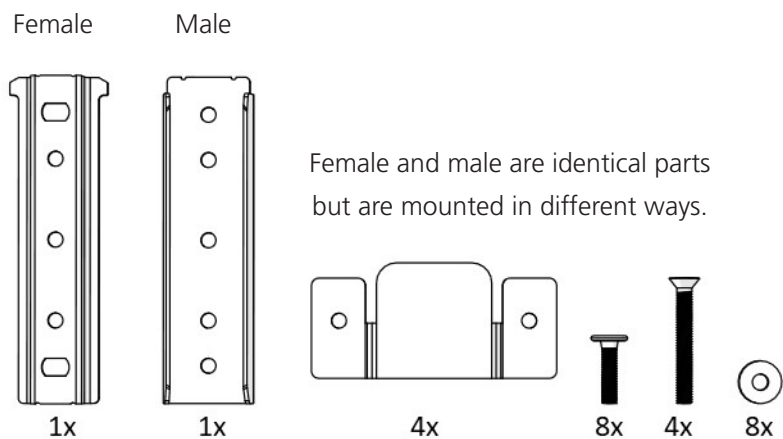
110331 2-seat elbow rest right

The sofas are dressed in X2 by Camira, 38168-30 dark blue. Feel free to match the sofa with Mr Box coffee table 80523 or 80524.



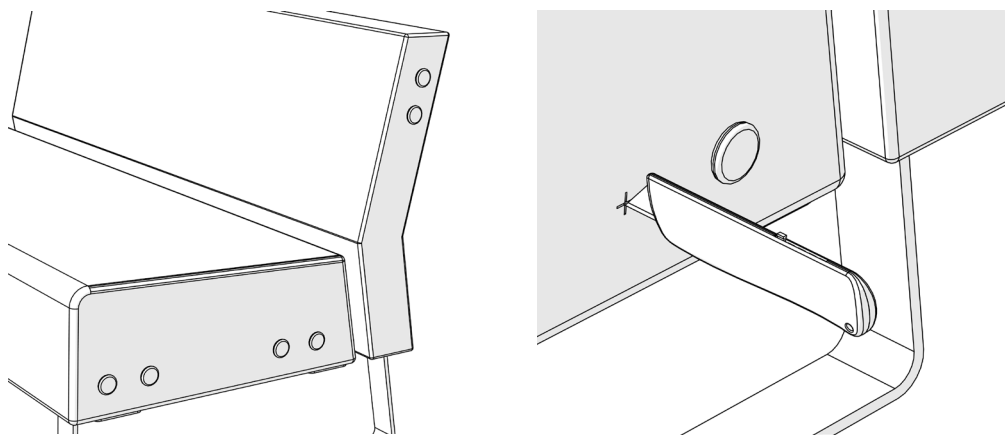
MR. BOX MODUL ASSEMBLY INSTRUCTIONS FOR LINKING

THE BRACKET SET CONSIST OF THE FOLLOWING PARTS:



You need one bracket set per linking and you buy the sets separately.

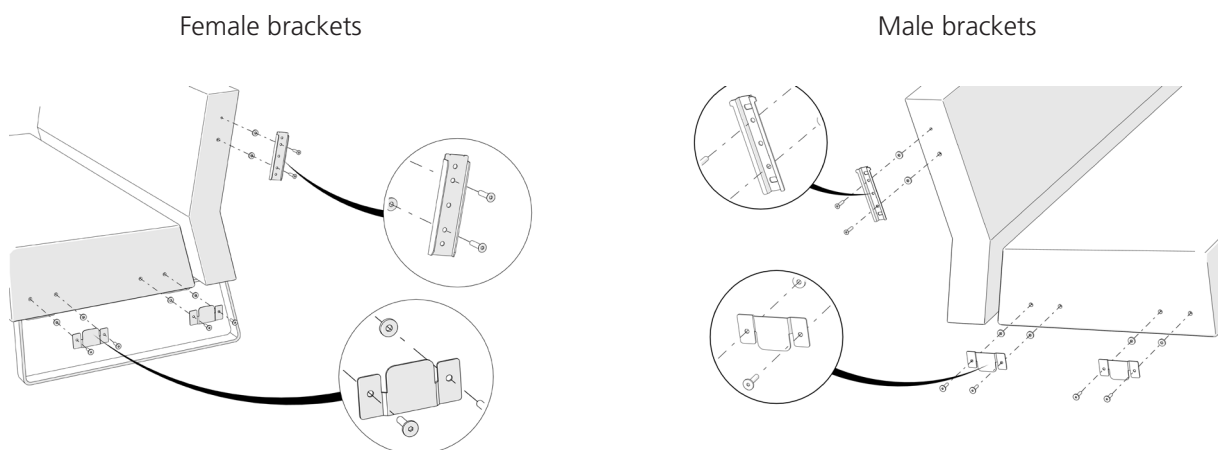
STEP 1



The sofa is delivered with 6 pins on each side to indicate where to attach the brackets. Remove the pins and use a sharp knife to cut a hole through the textile and foam to allow the screws to enter the threaded nut.

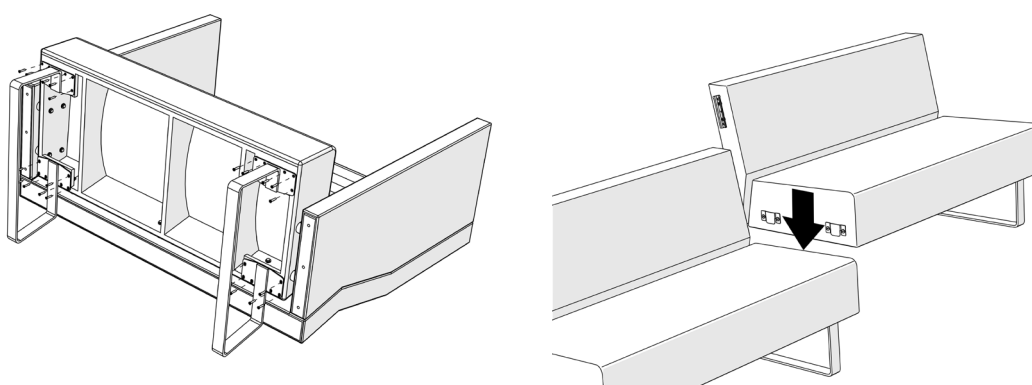
MR. BOX MODUL ASSEMBLY INSTRUCTIONS FOR LINKING

STEP 2



Fasten the female bracket to one sofa module and the male bracket to the adjoining module.

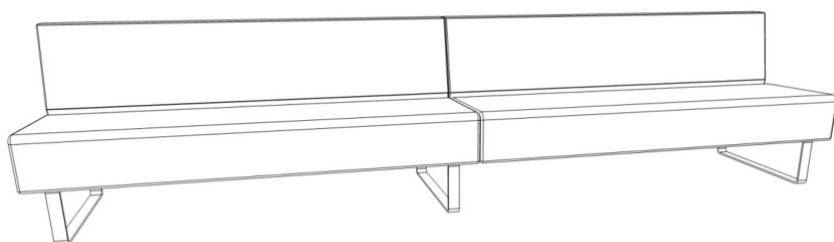
STEP 3



Remove all legs on the left of the module with the male brackets and lower this module (with the male bracket) into the module with the female brackets. The module without legs will thus rest in the bracket on the module with legs.

MR. BOX MODUL ASSEMBLY INSTRUCTIONS FOR LINKING

STEP 4



The join is identical, independent of which modules are to be joined. End modules with armrests cannot be joined.

Lekolar AB

Postadress: Box 170, 283 23 Osby • Besöksadress: Södra Portgatan 25, 283 50 Osby
Telefon: 0479-199 00 • Fax 0479-199 99 • www.lekolar.se • kundtjanst@lekolar.se