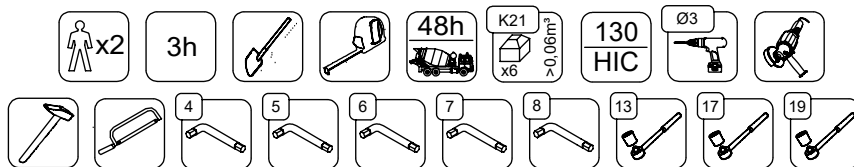


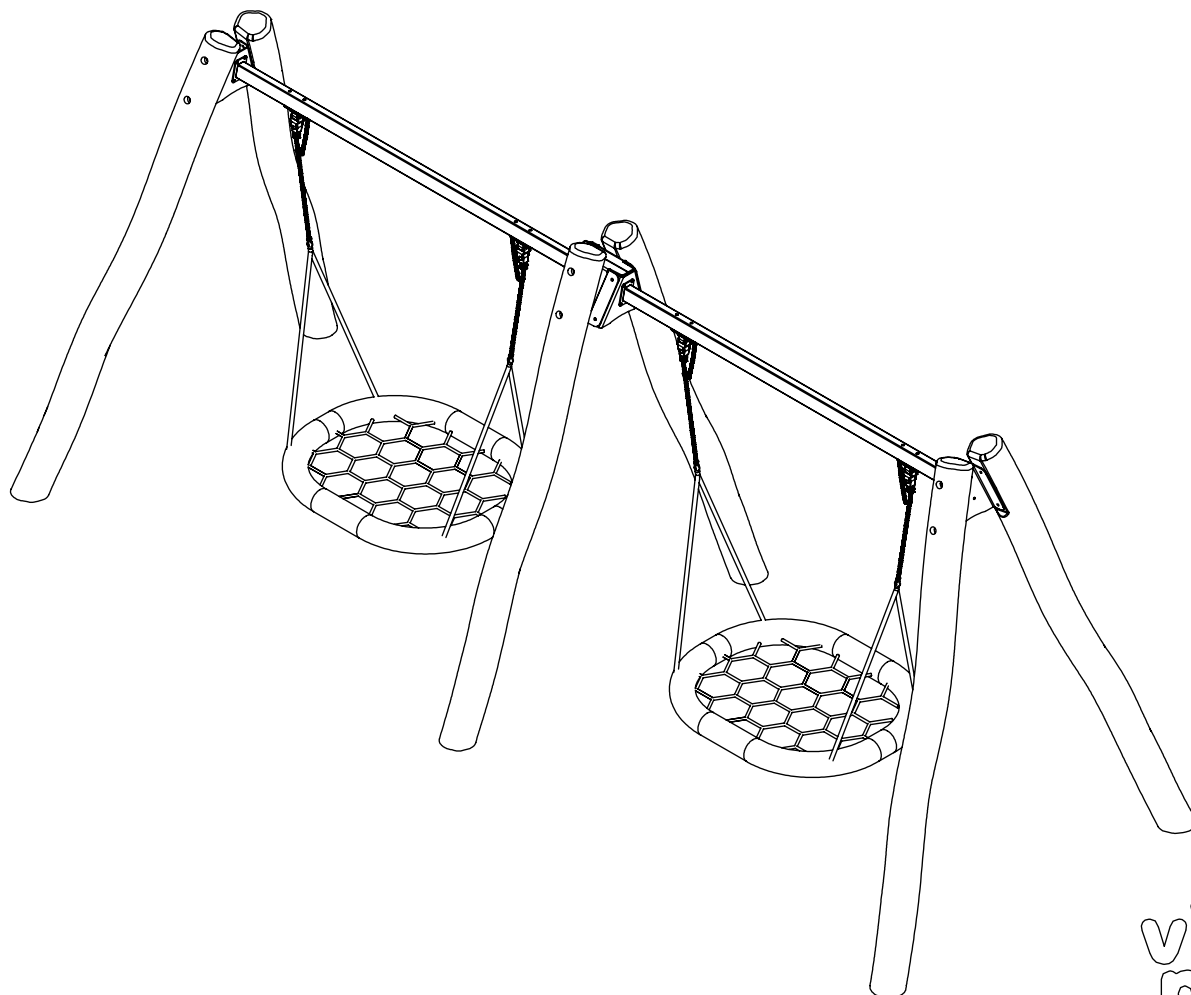
RB1497



v010
09.01.2021
A. P.
[cm]

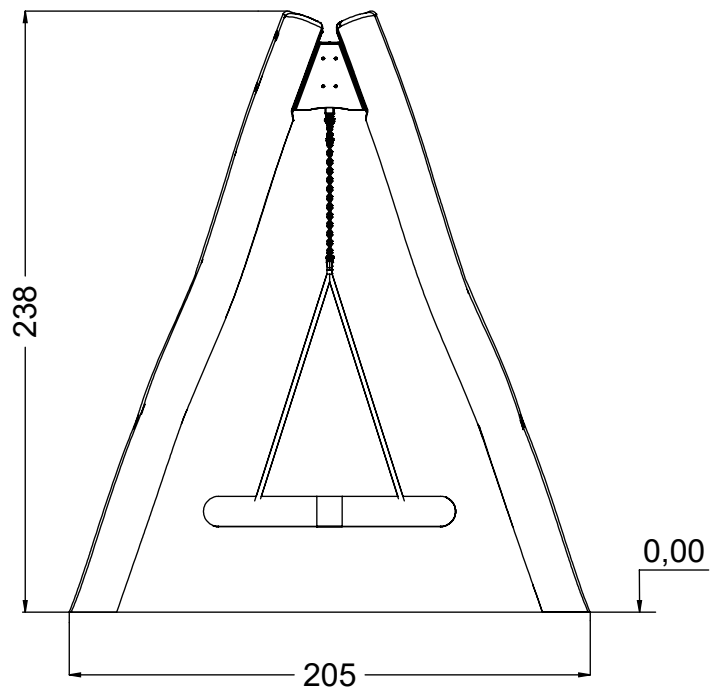
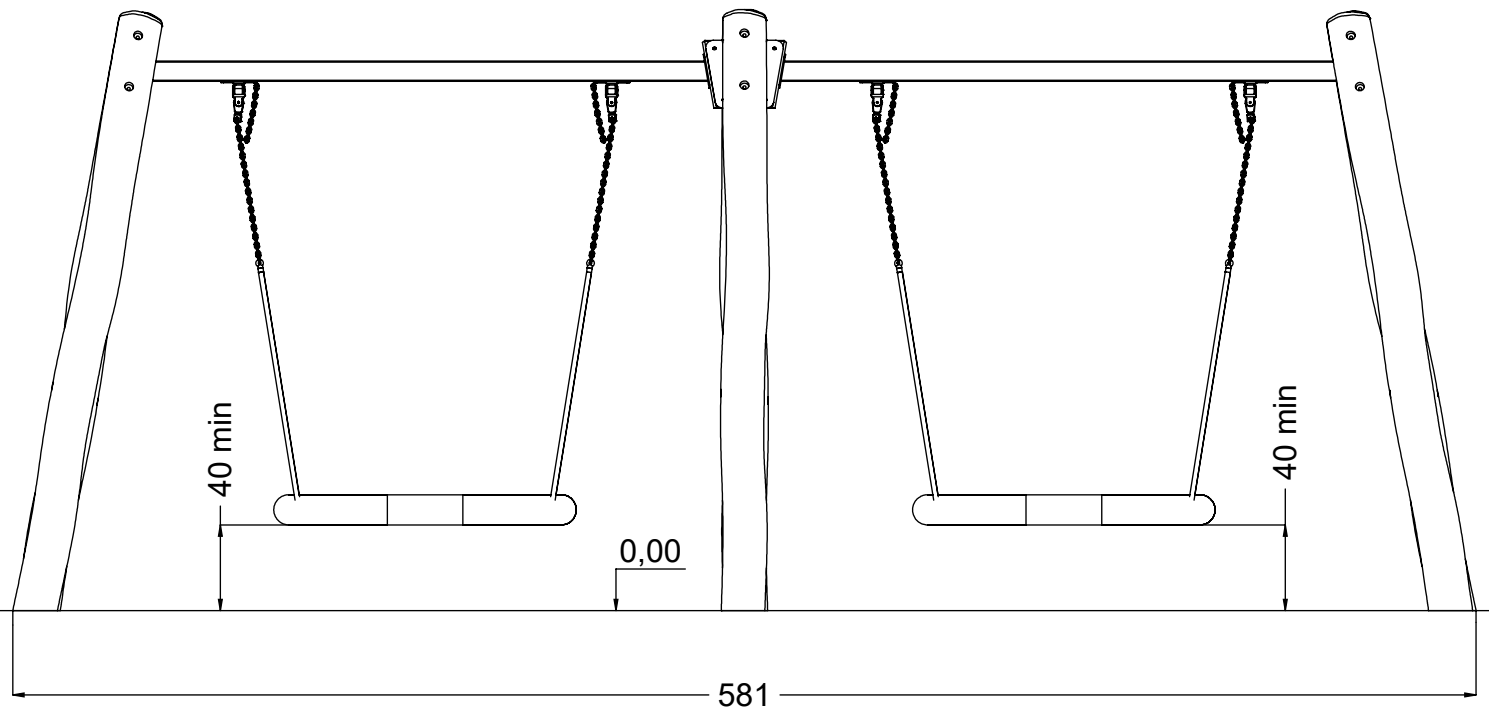


vinci
play



[cm]

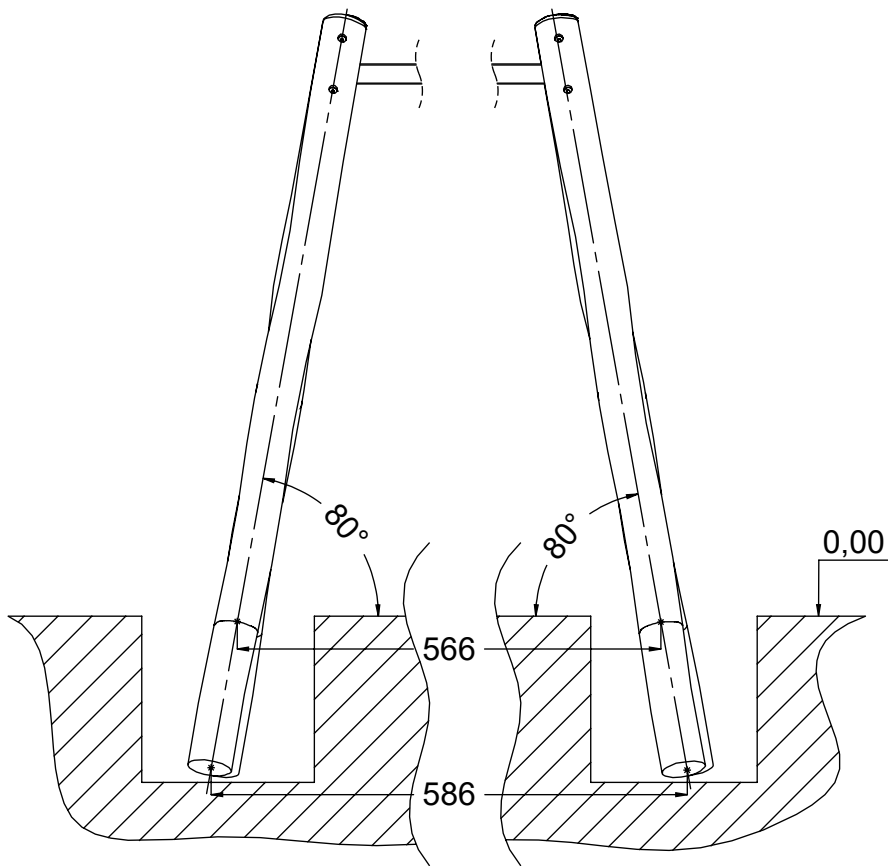
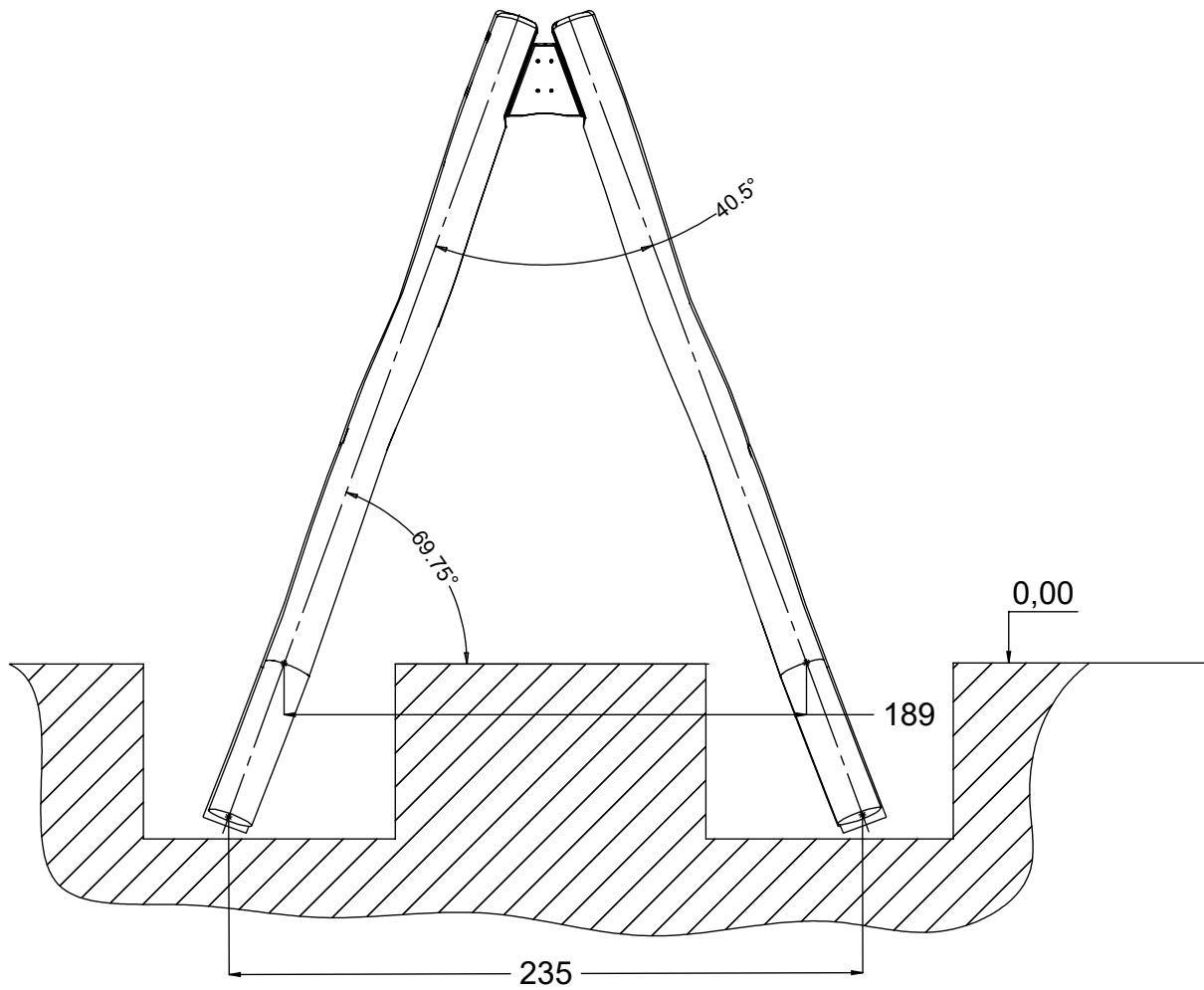
vinci
play



[cm]

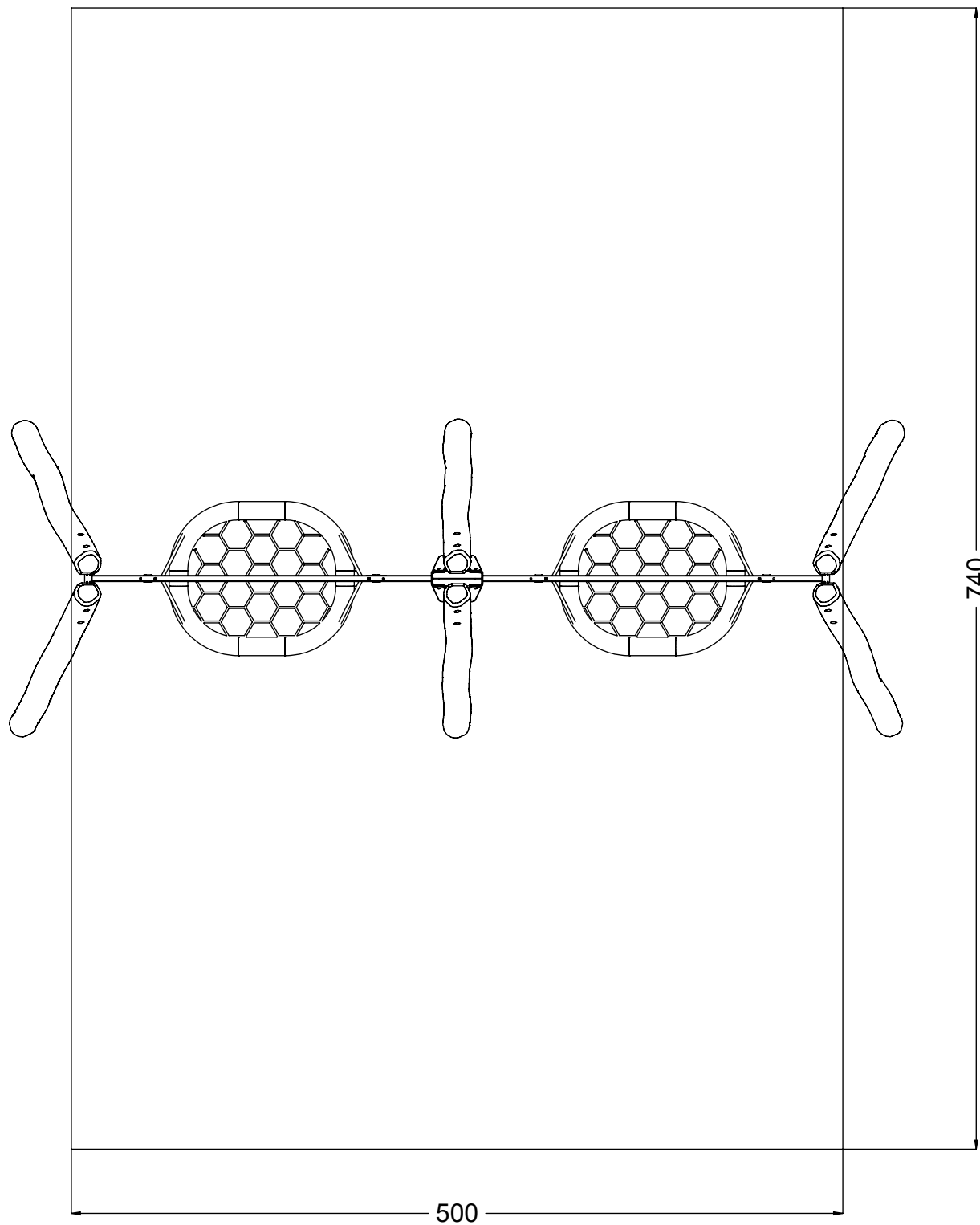


vinci
play



[cm]

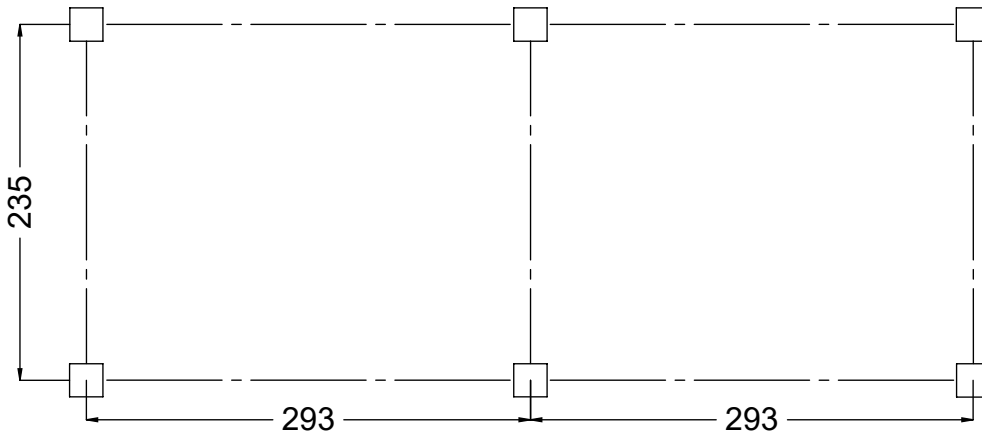
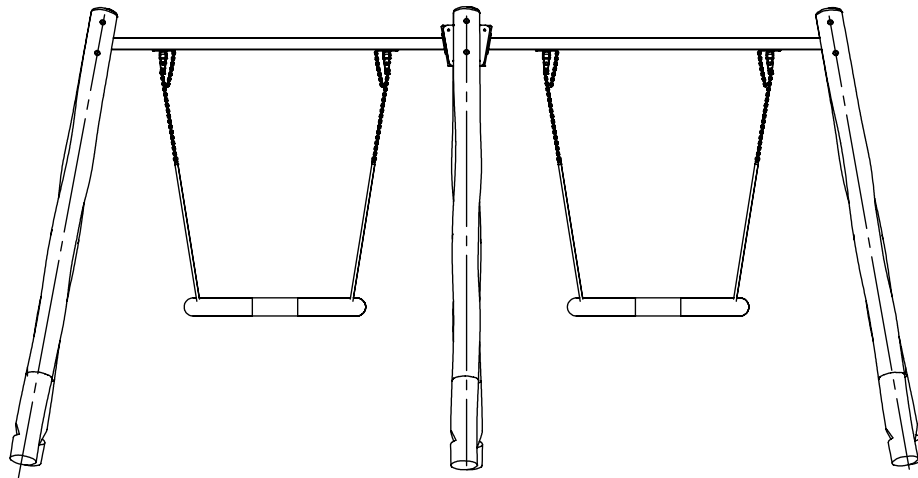
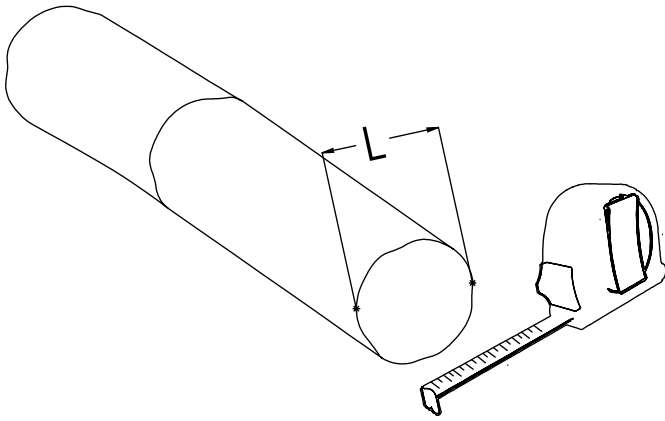
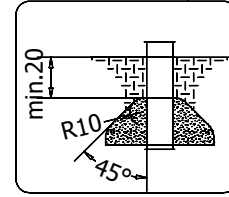
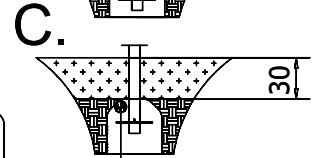
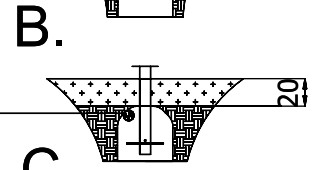
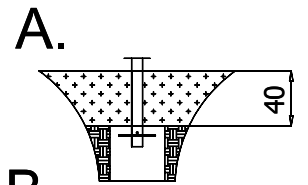
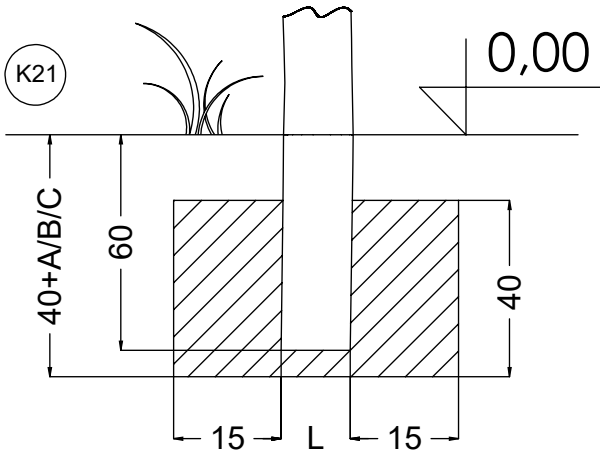
vinci
play



[cm]



vinci
play



[cm]



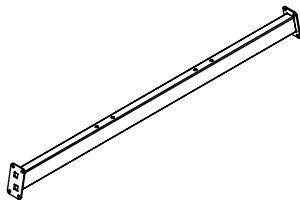
3h



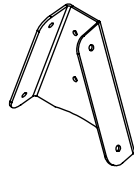
vinci
play



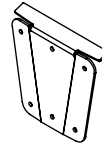
127116
x6



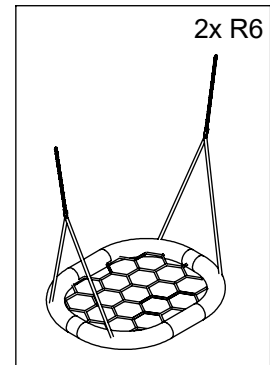
052127
x2



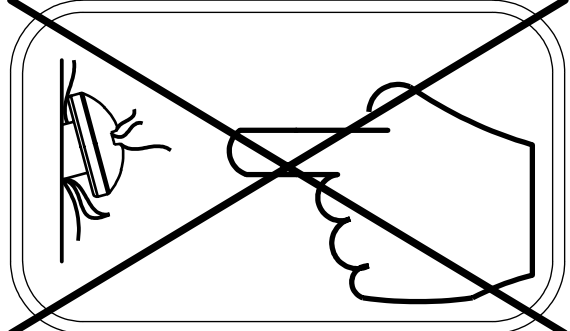
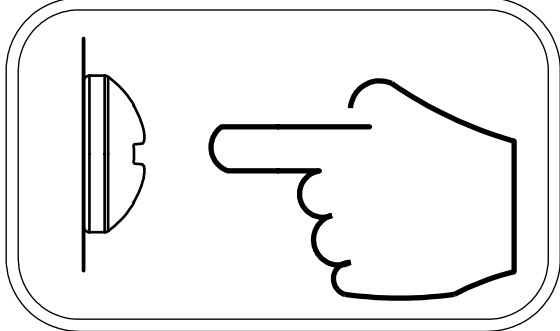
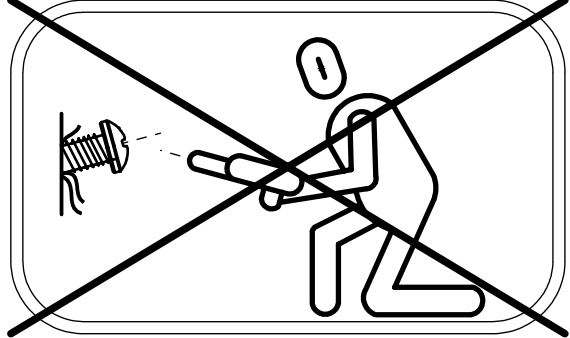
b66-5
x4

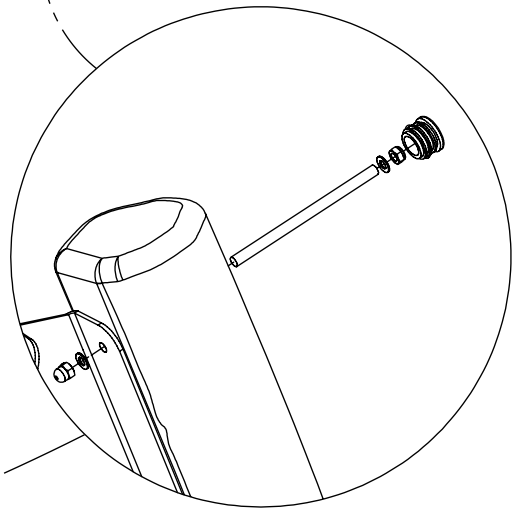
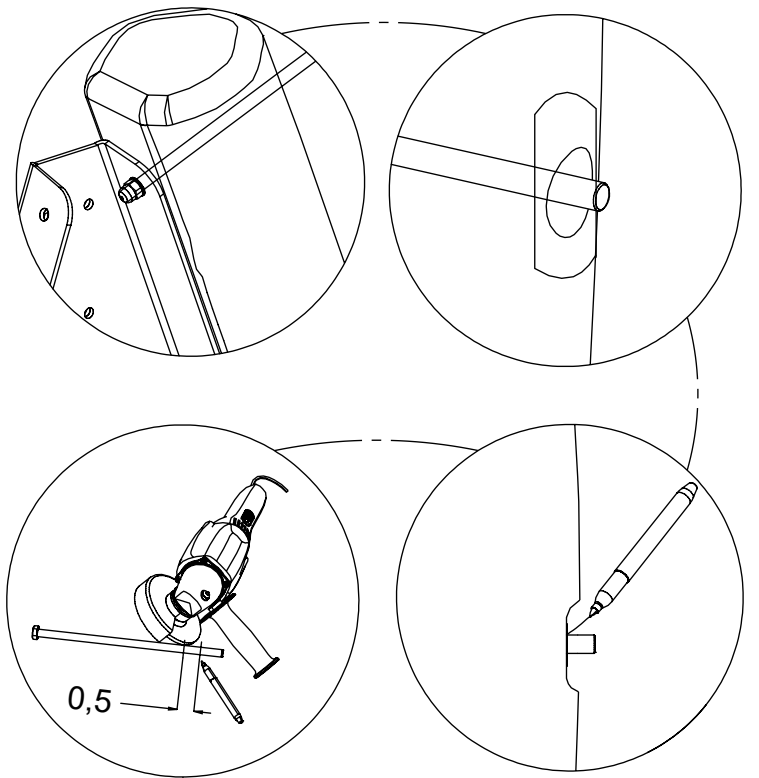
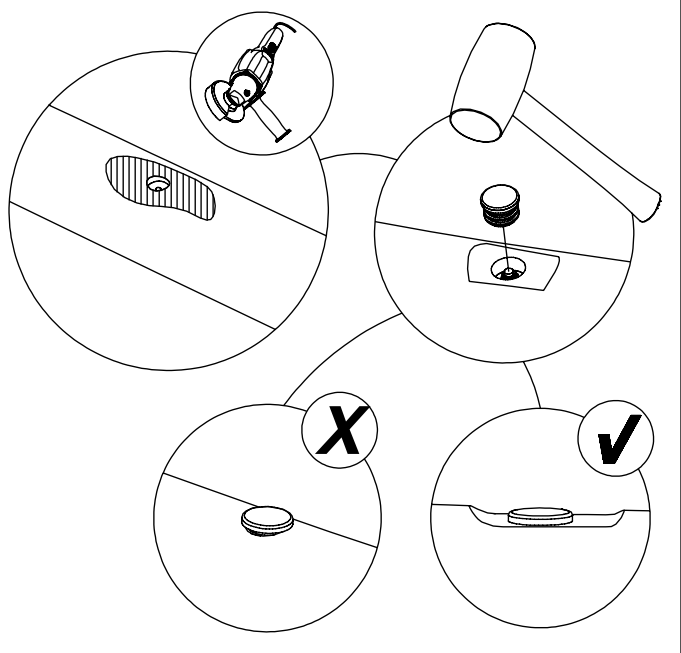


b251-2
x2

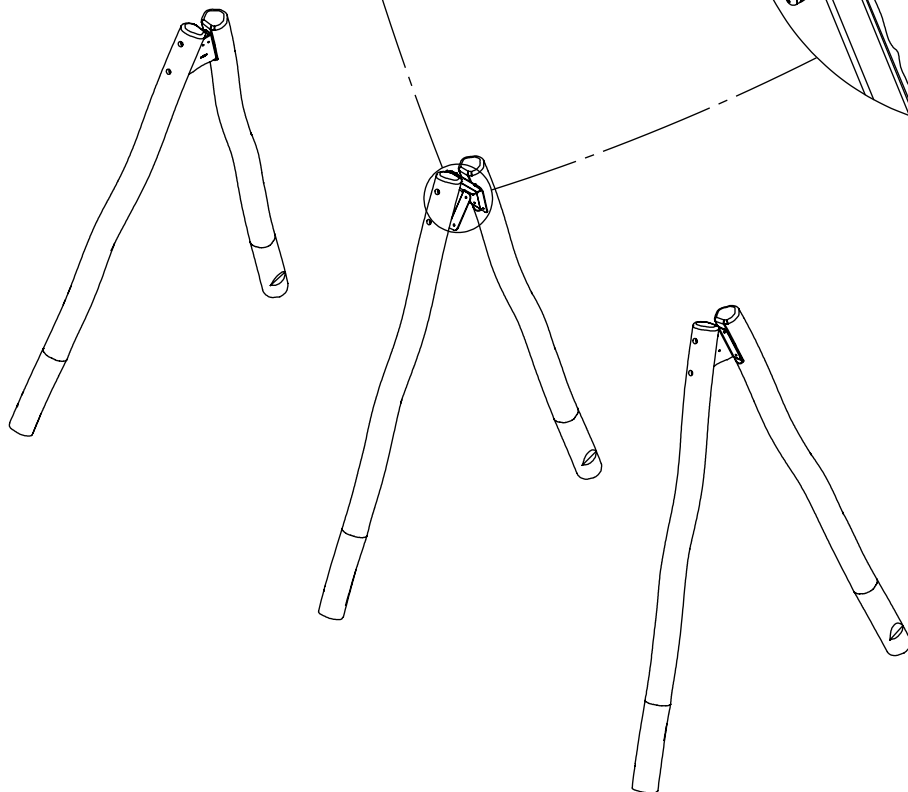


2x	E60
1x	E61
2x	E63
1x	E164 R1,R5
1x	E165 R2
1x	E168 R3
3x	12e017
1x	V001



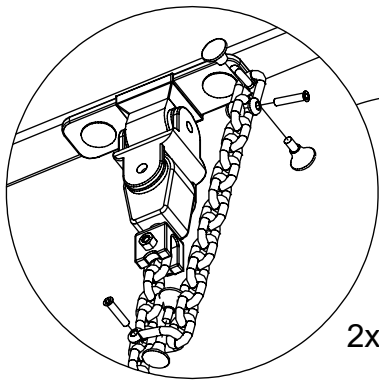


3x 12e017

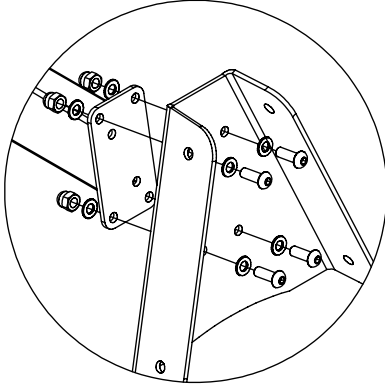
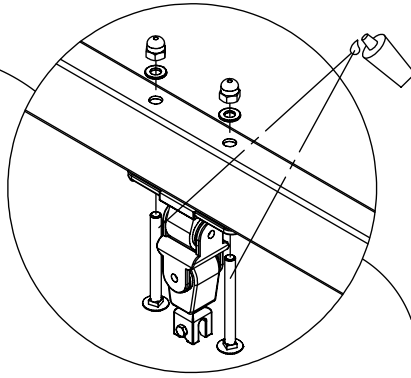


[cm]

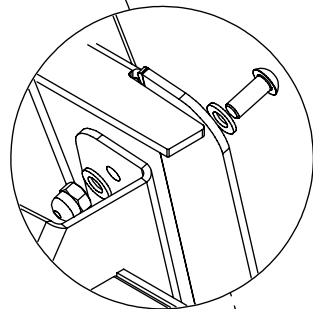
vinci
play



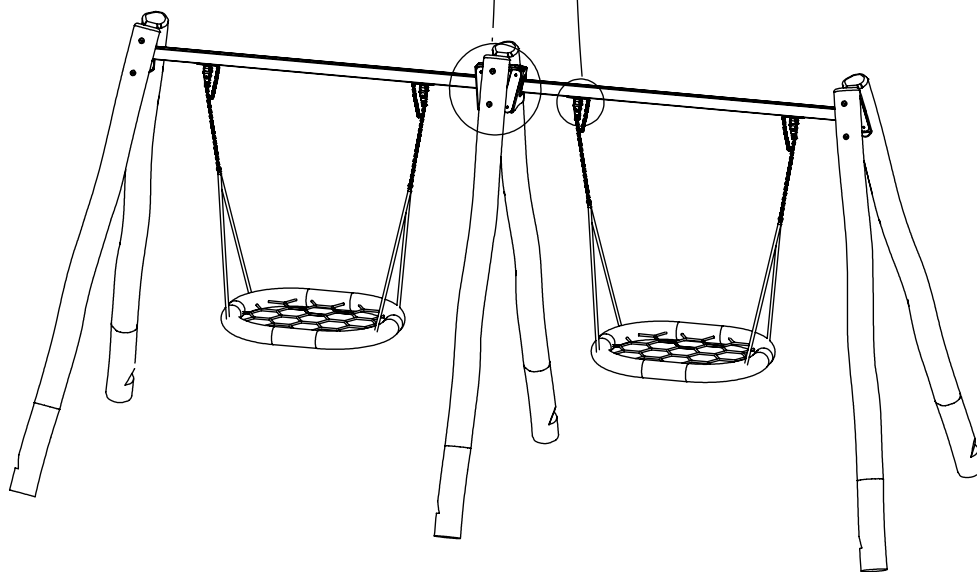
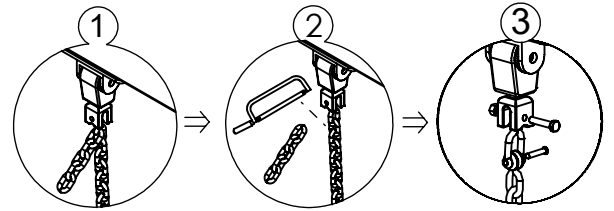
2x E63



2x E60



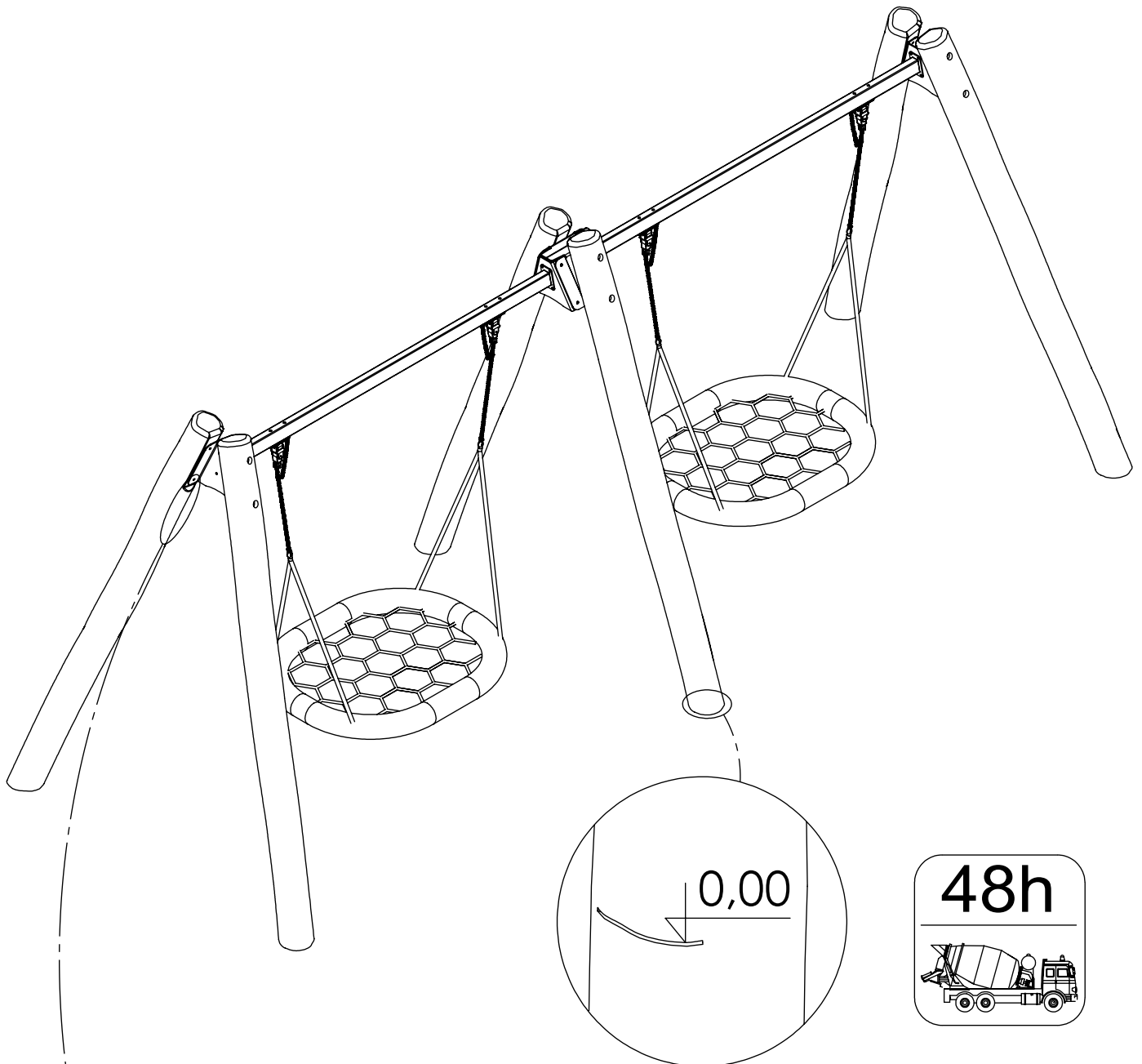
1x E61



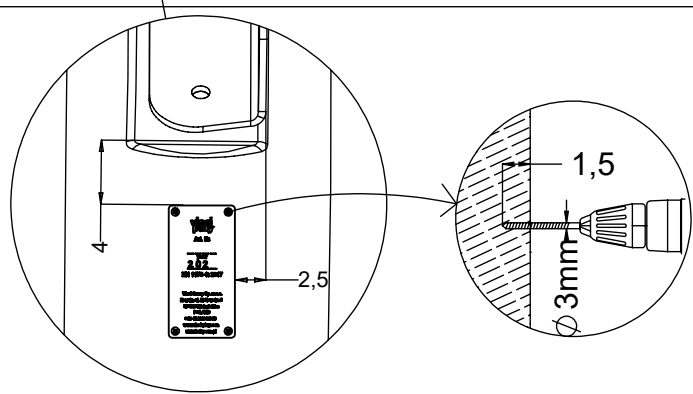
[cm]



vinci
play



48h



2,9

vinci play
Art. No

Year
202
EN 1176-1:2017

Vinci Group Sp. A.S. s.p.a.
Piazzale G. B. Vico, 10
00148 Roma (RM)
P.O. Box
+39 06 290 24 00
www.vinciplay.com

6,3

V001

Part No:
000000-
00000

[cm]

vinci play