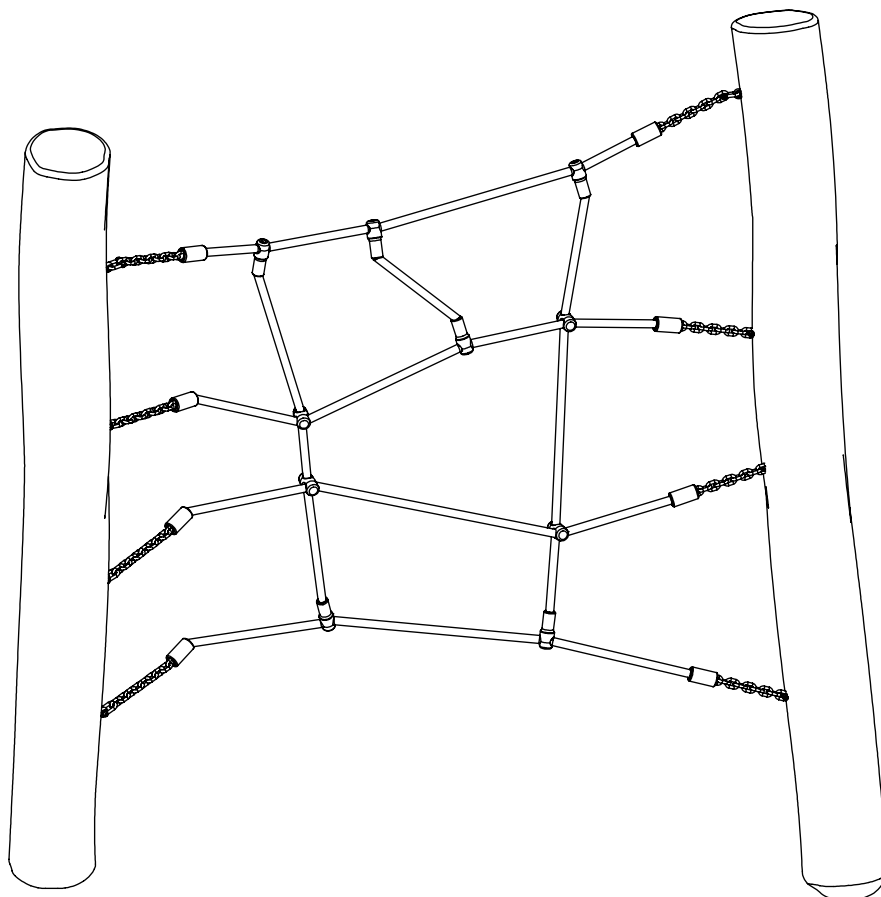
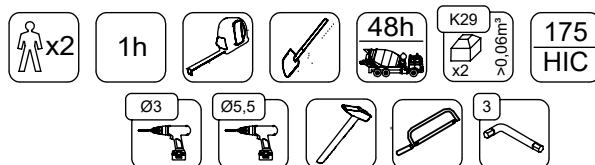


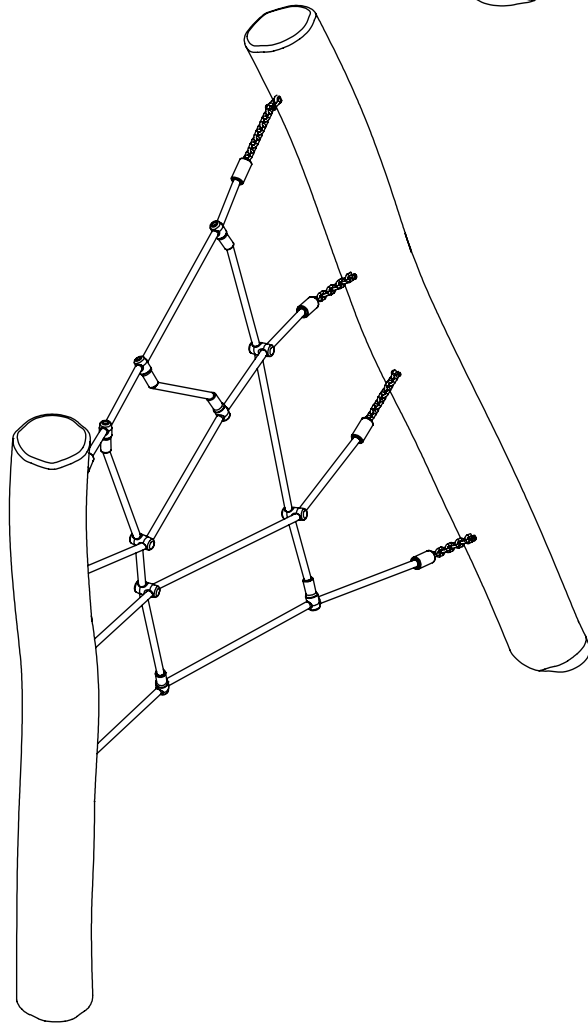
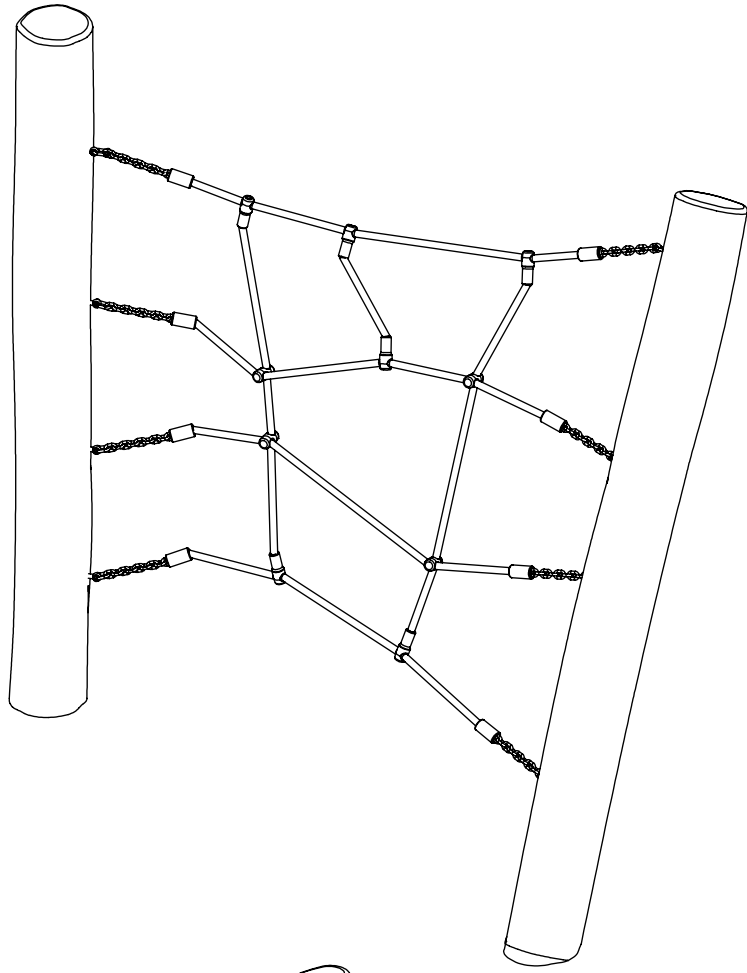
RB1285



v011
25.02.2021
A. P.
[cm]

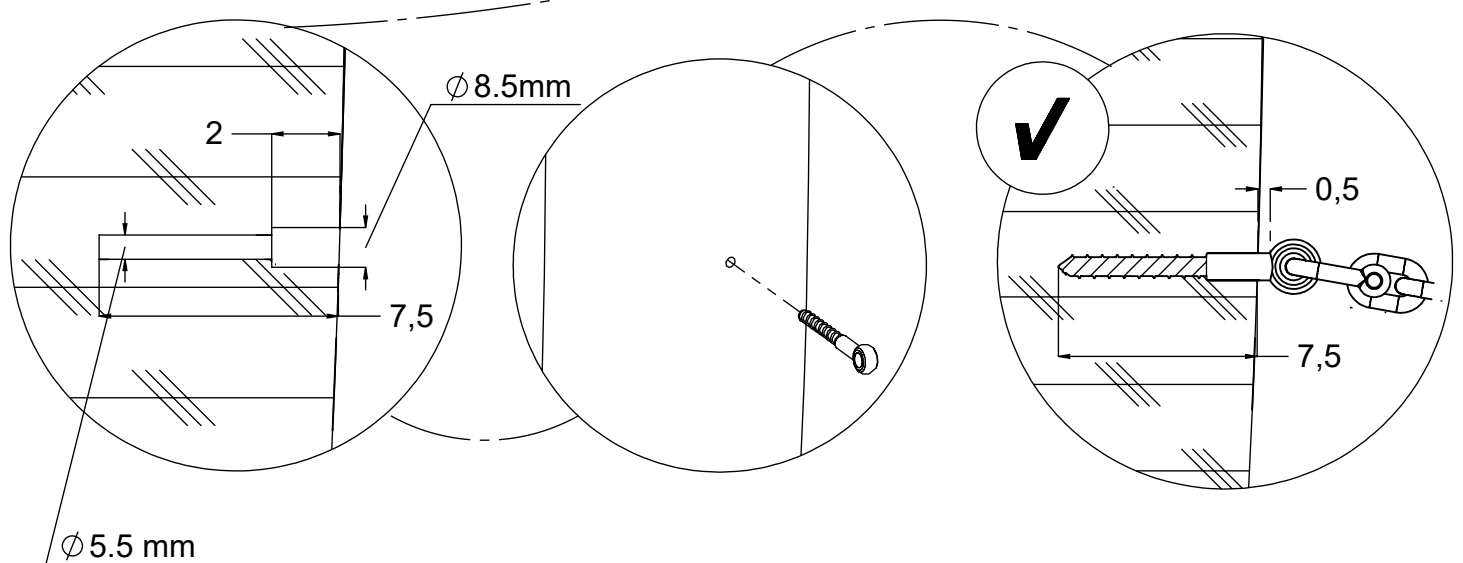
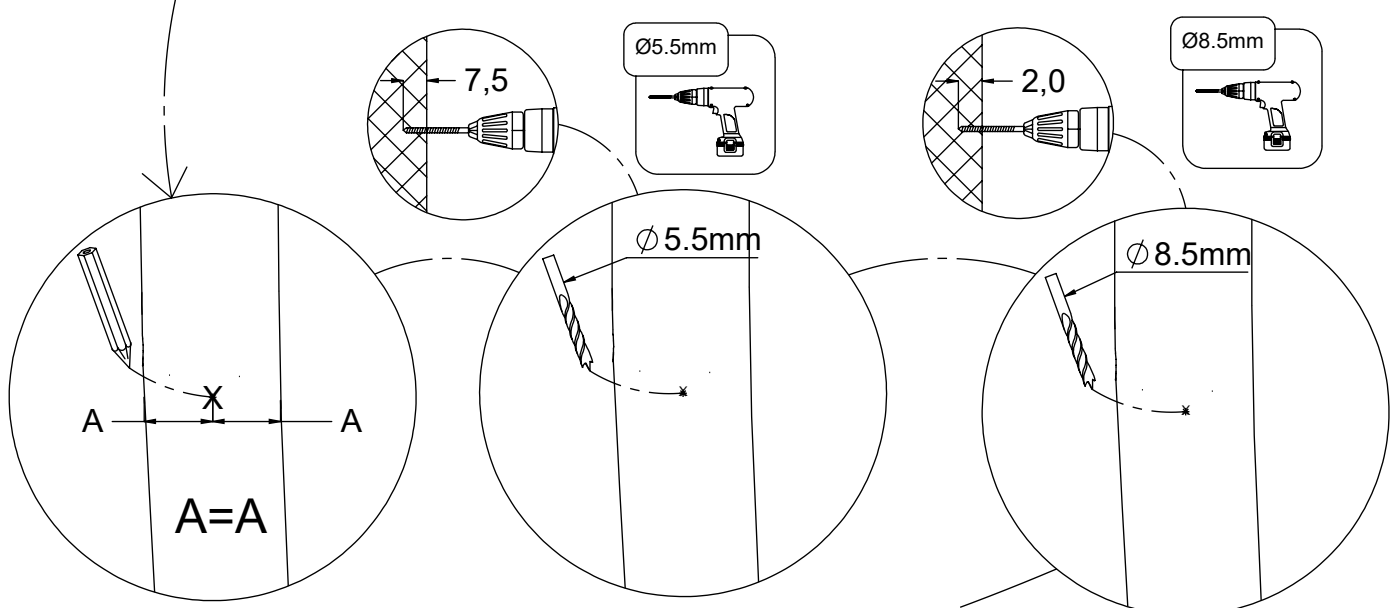
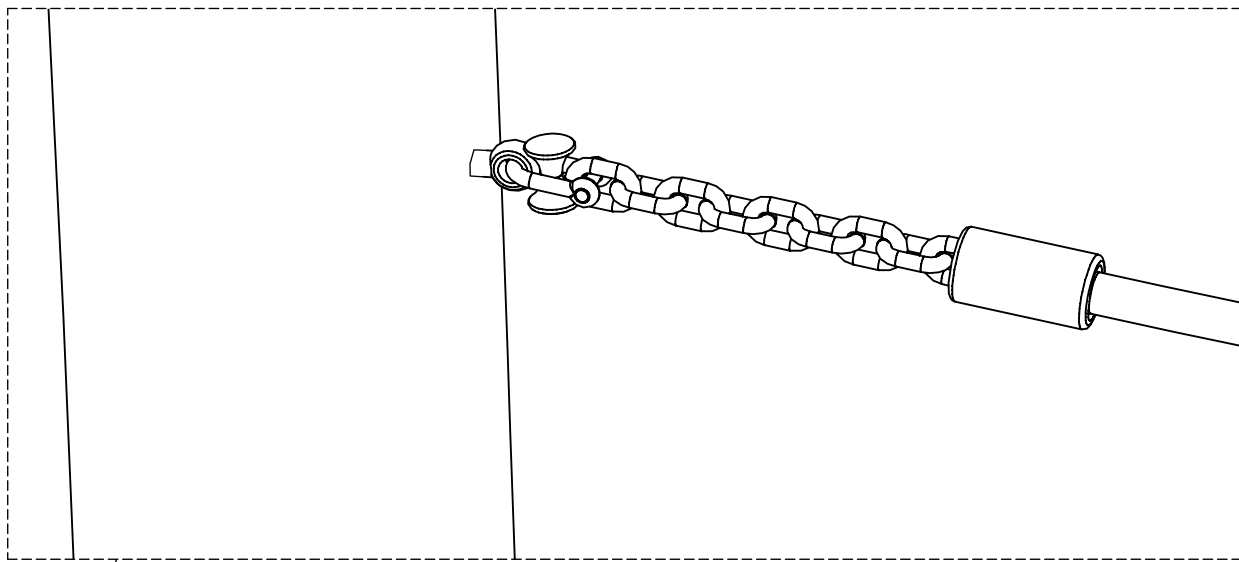


vinci
play



[cm]

vinci
play



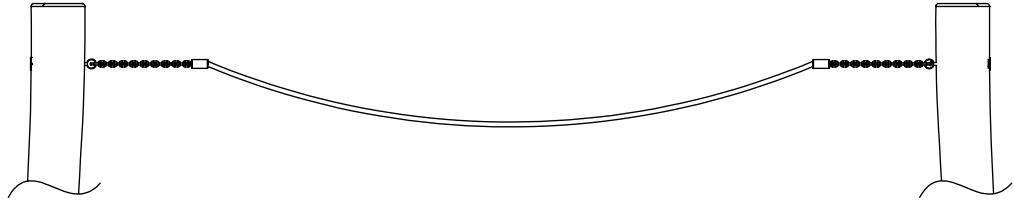
[cm]

vinci
play

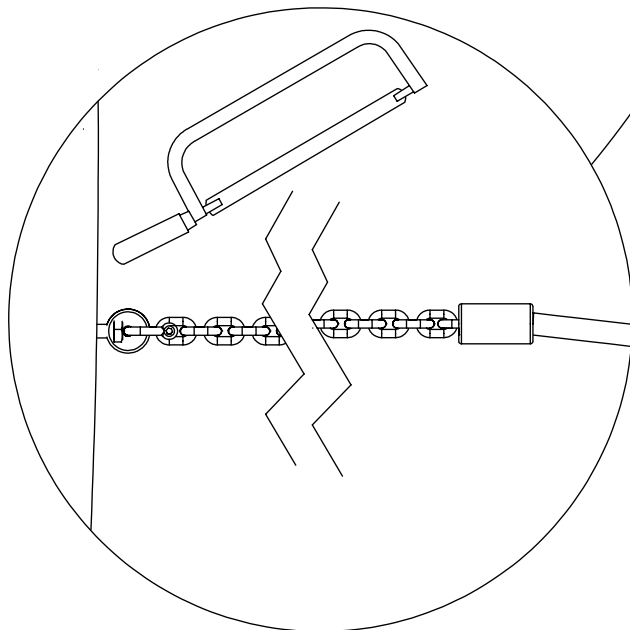
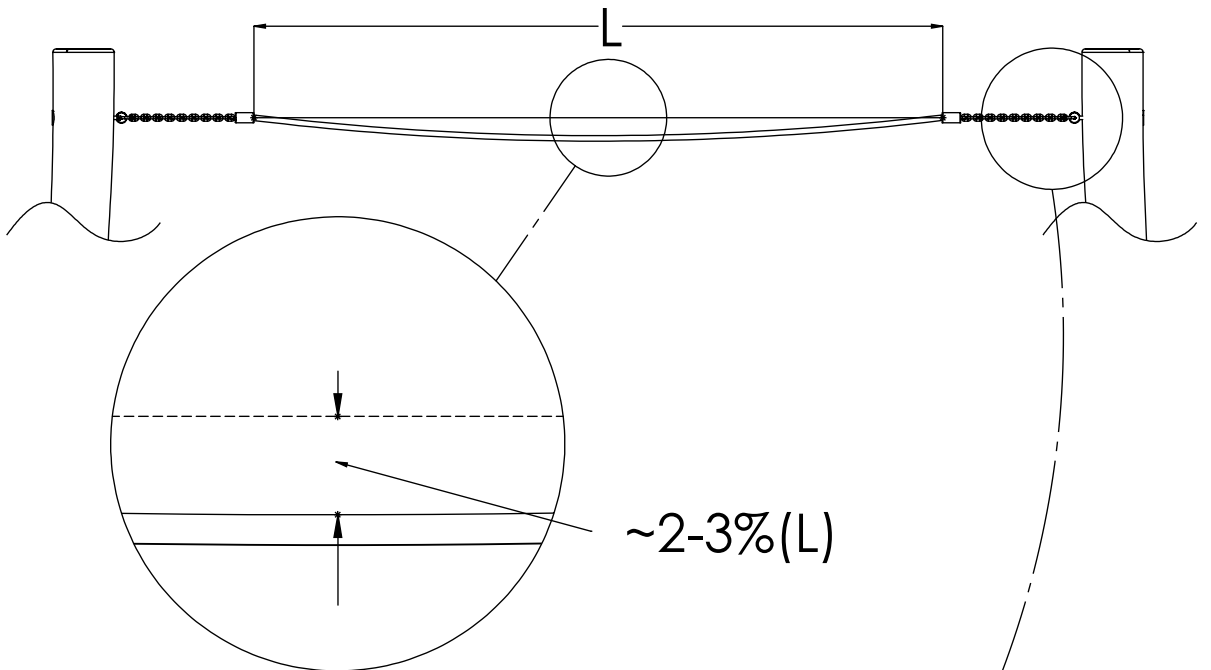
X

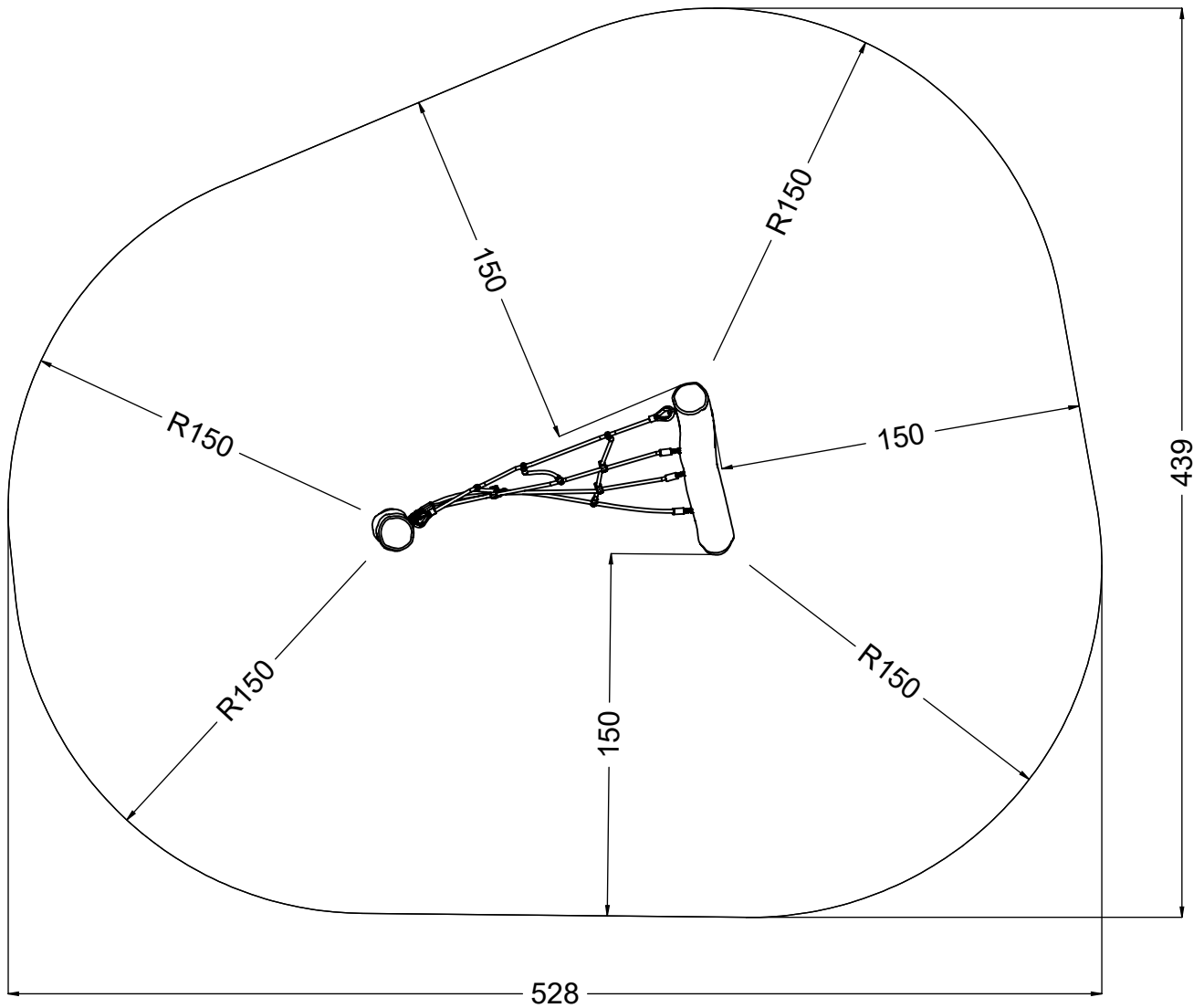
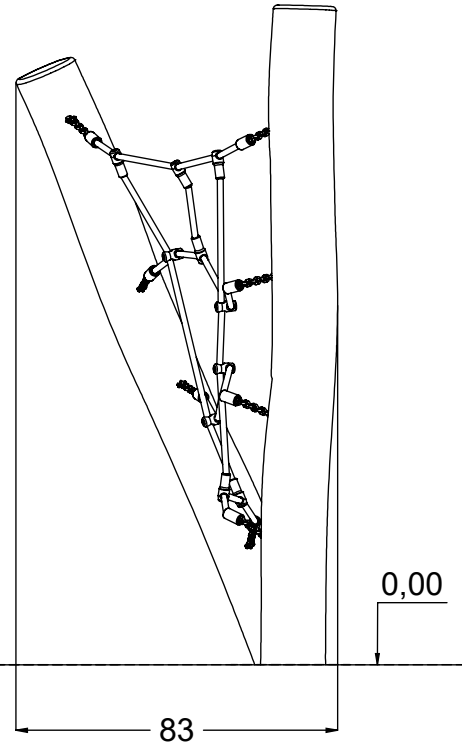
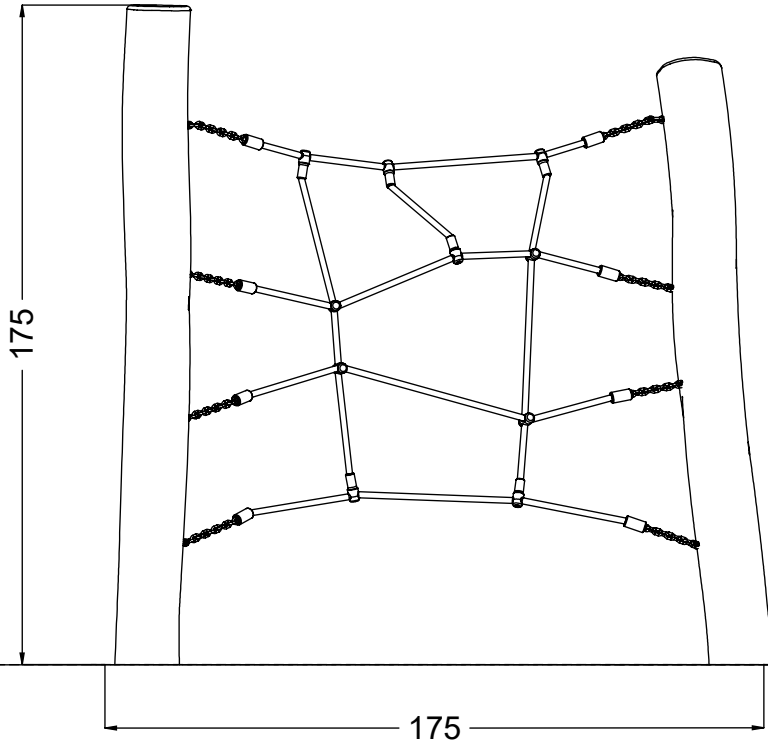


X



V

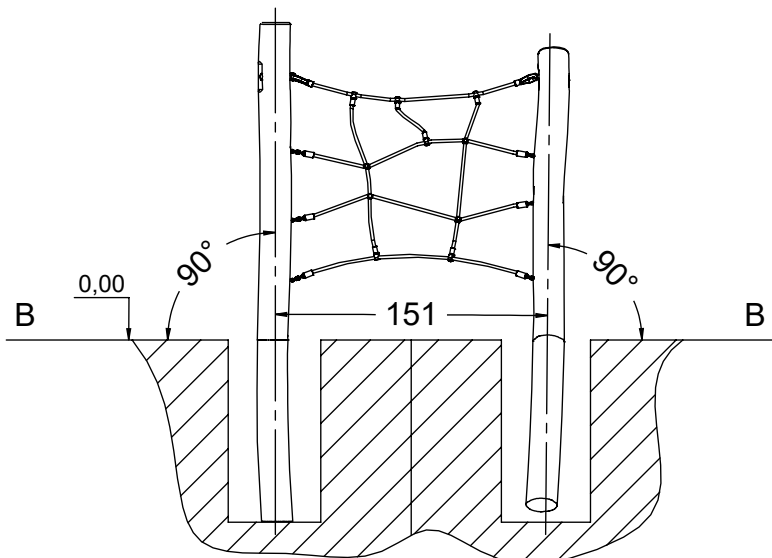
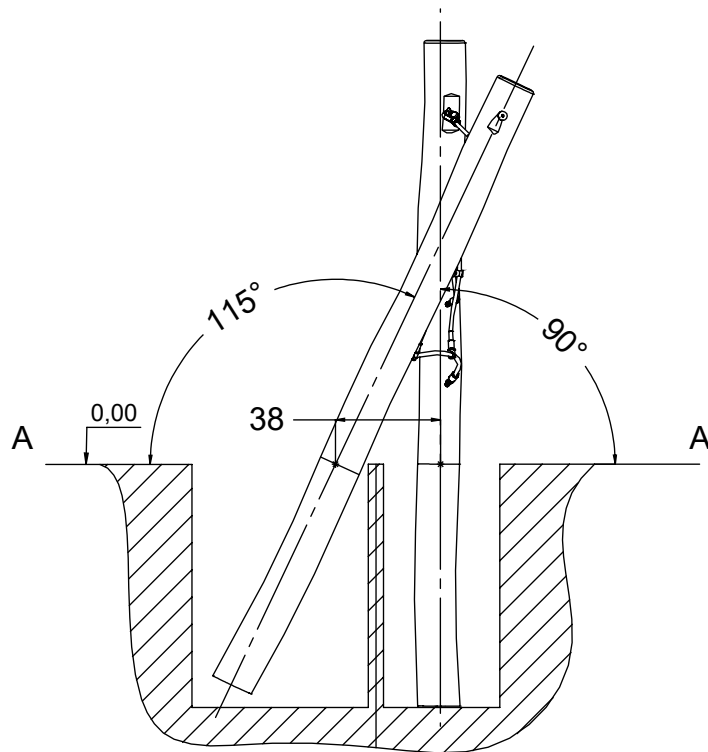
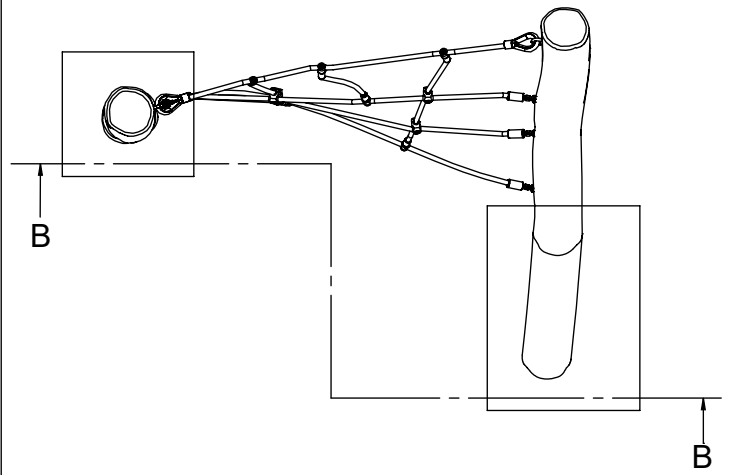
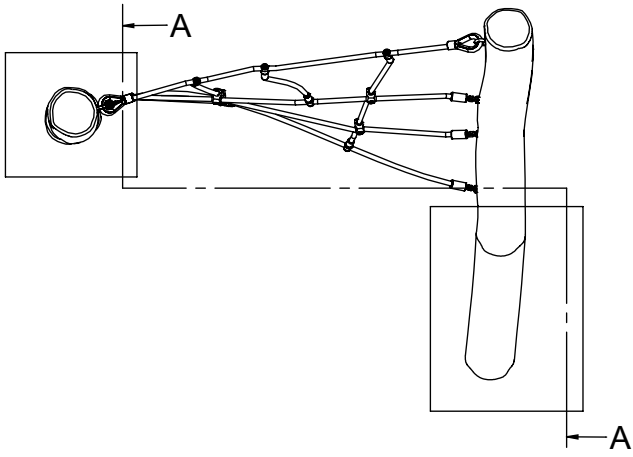




[cm]



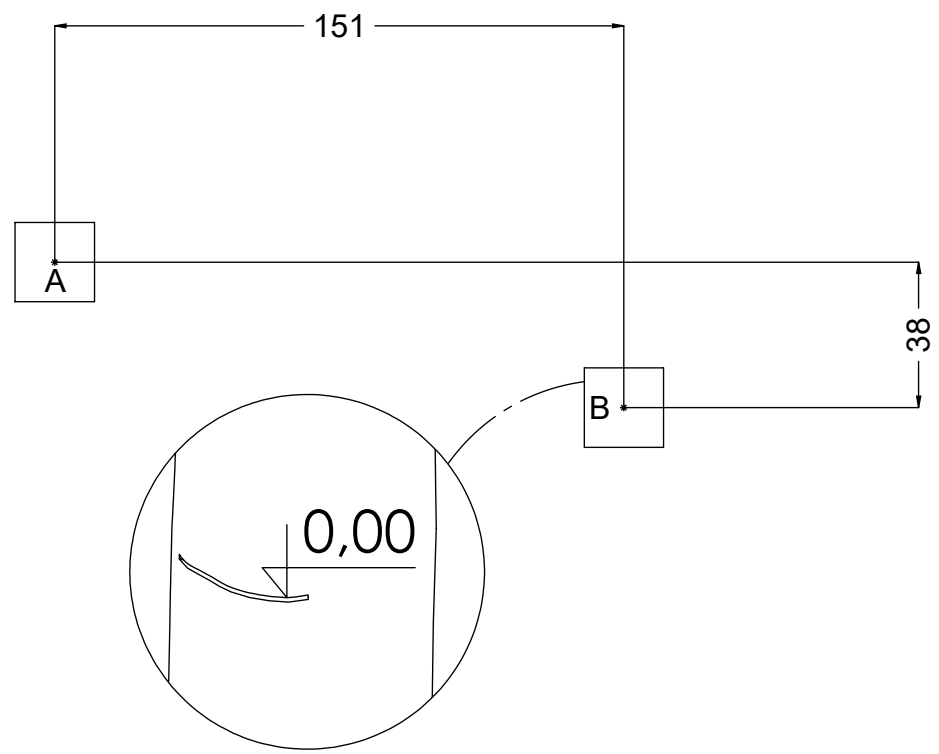
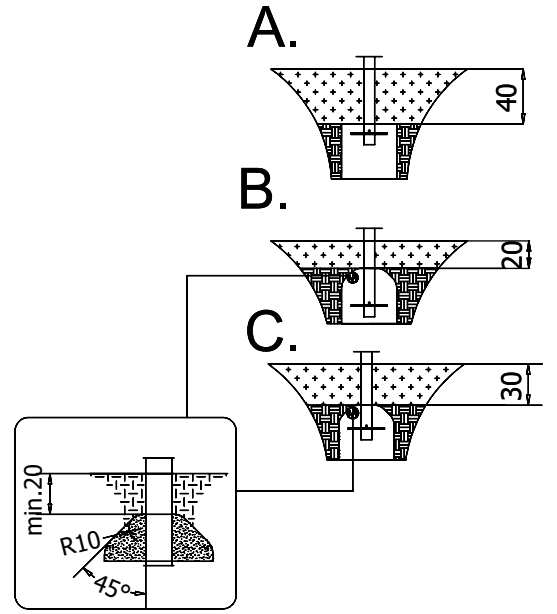
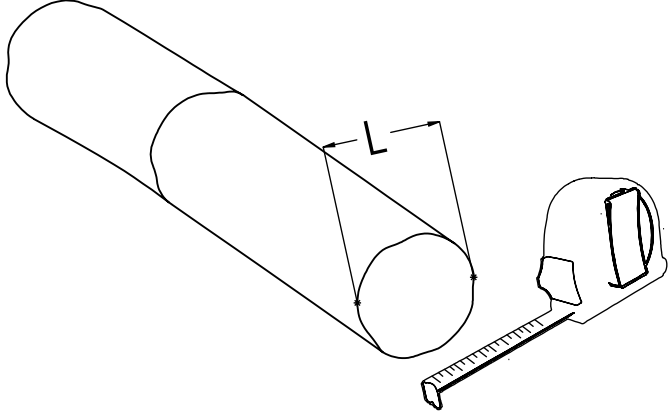
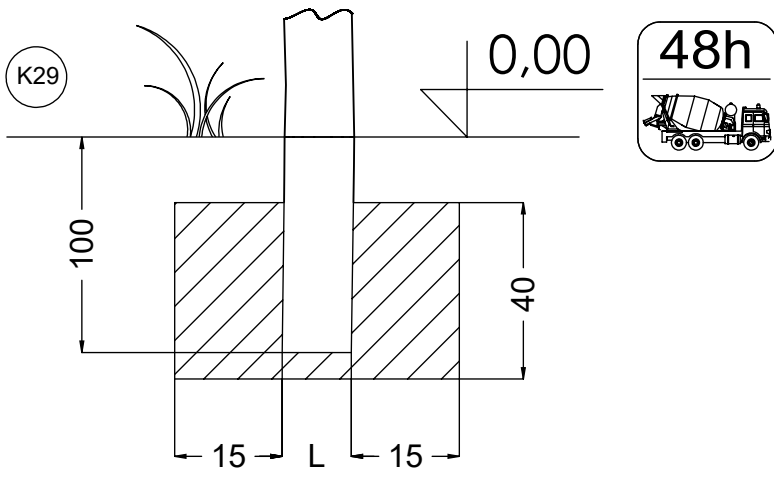
vinci
play



[cm]



vinci
play



[cm]

x2

1h

48h

K29

x2

>0,06m³

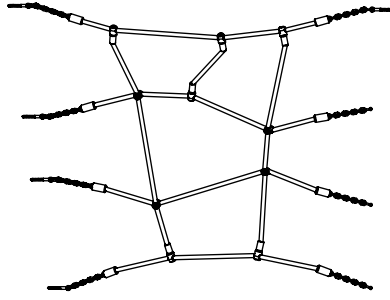
vinci
play



127302 (A)
x1

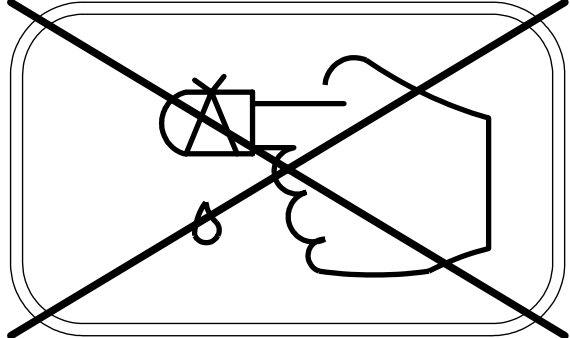
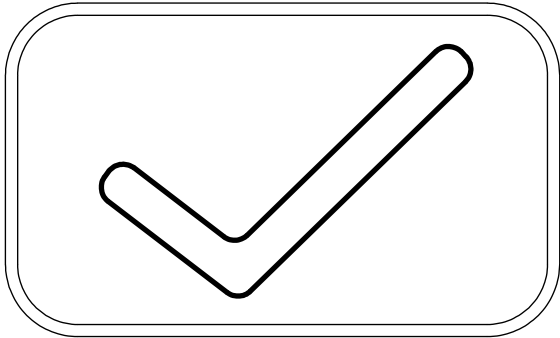
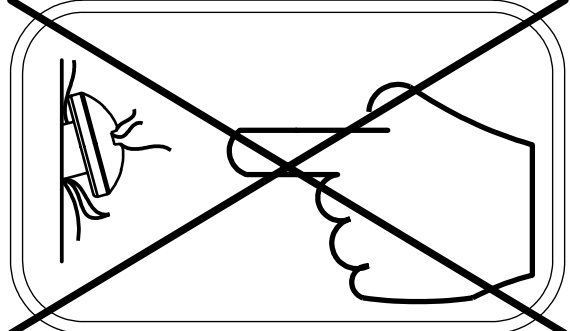
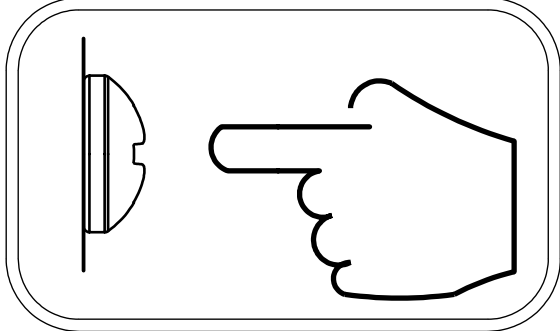
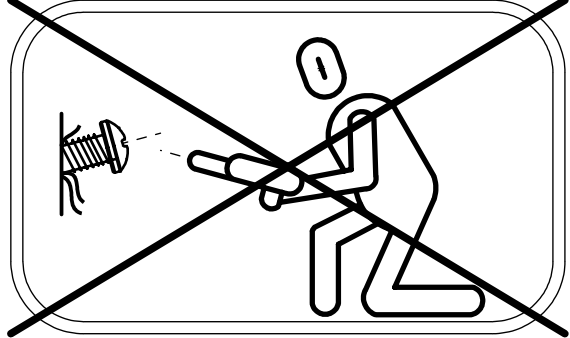
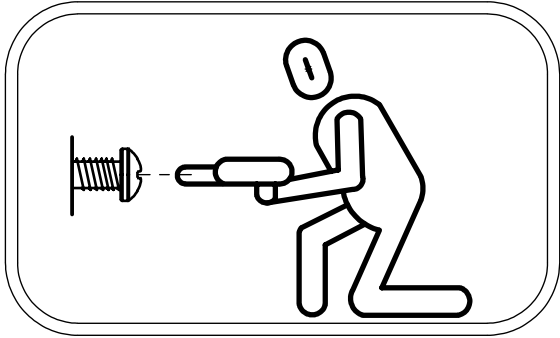


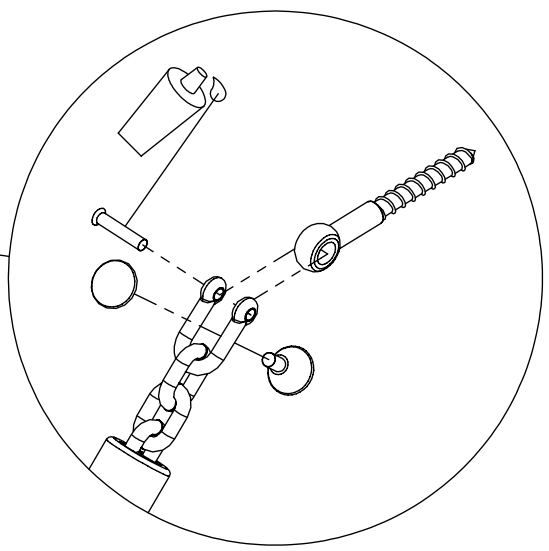
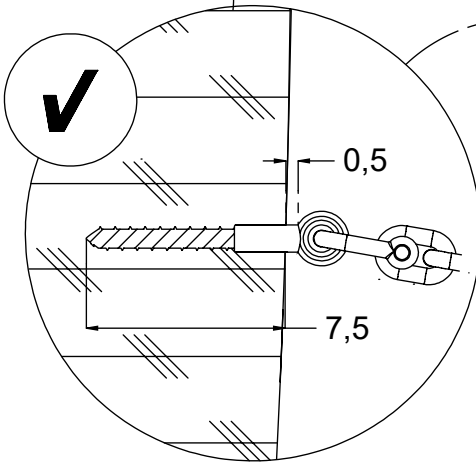
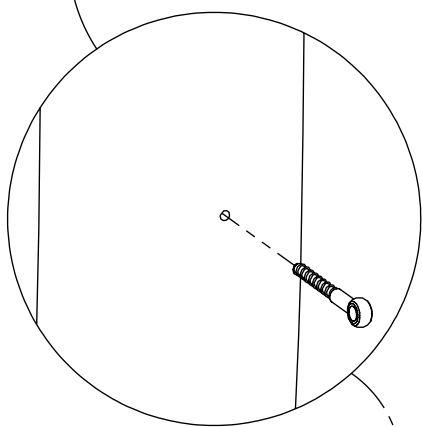
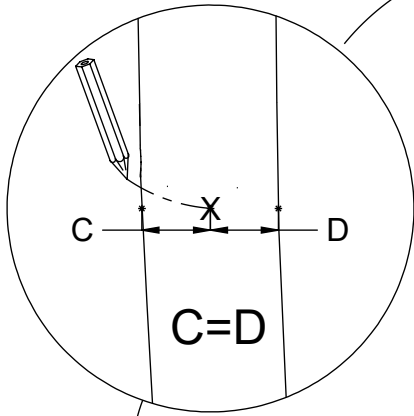
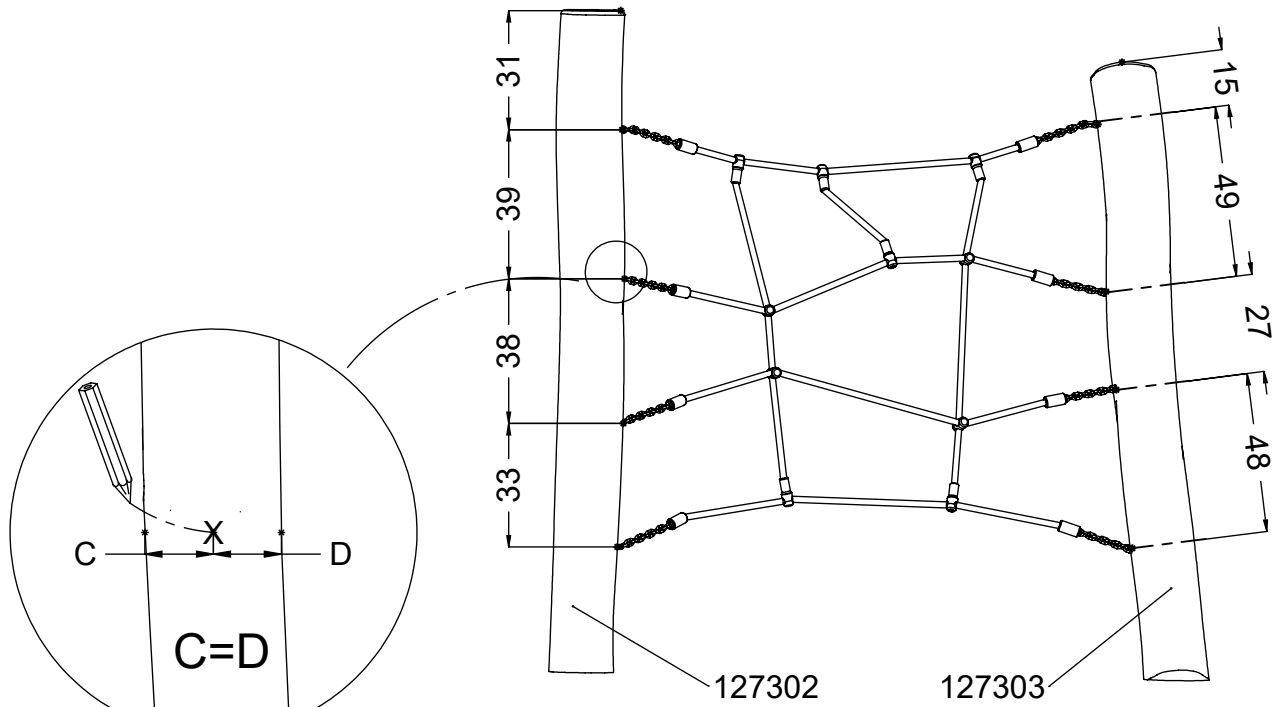
127303 (B)
x1



125101
x1

4x	12e007
1x	V001

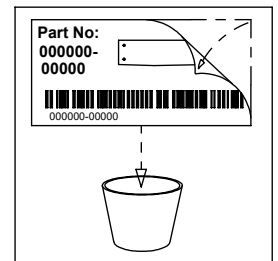
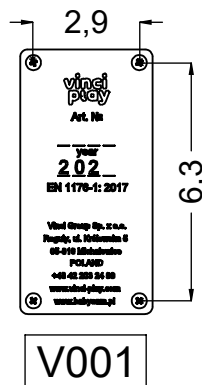
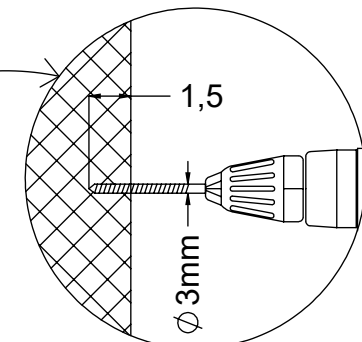
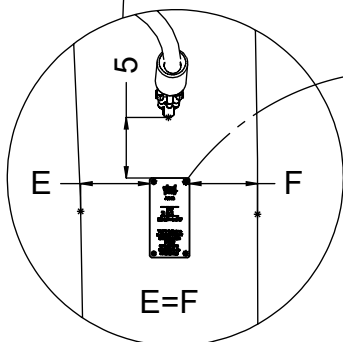
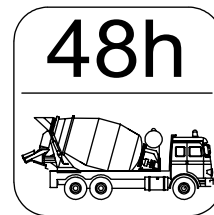
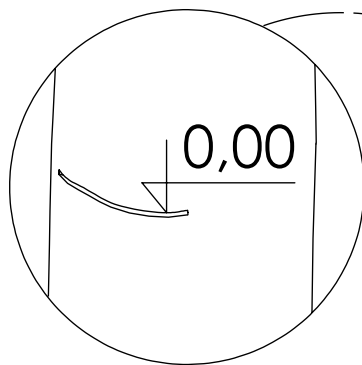
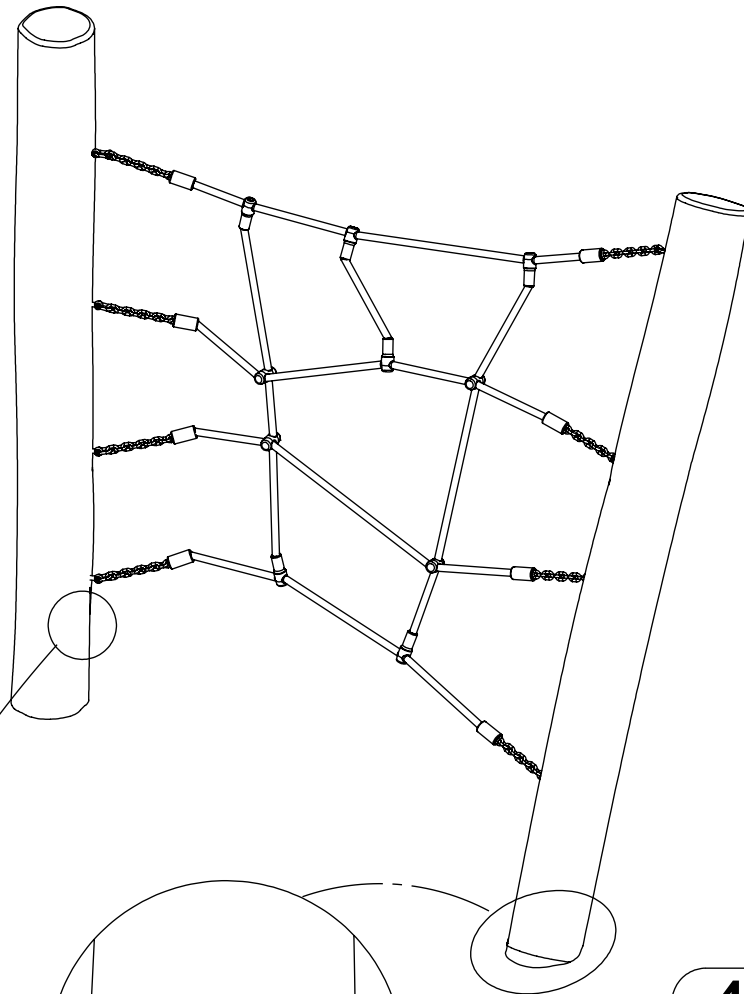




4x 12e007

[cm]

vinci
play



[cm]



vinci
play