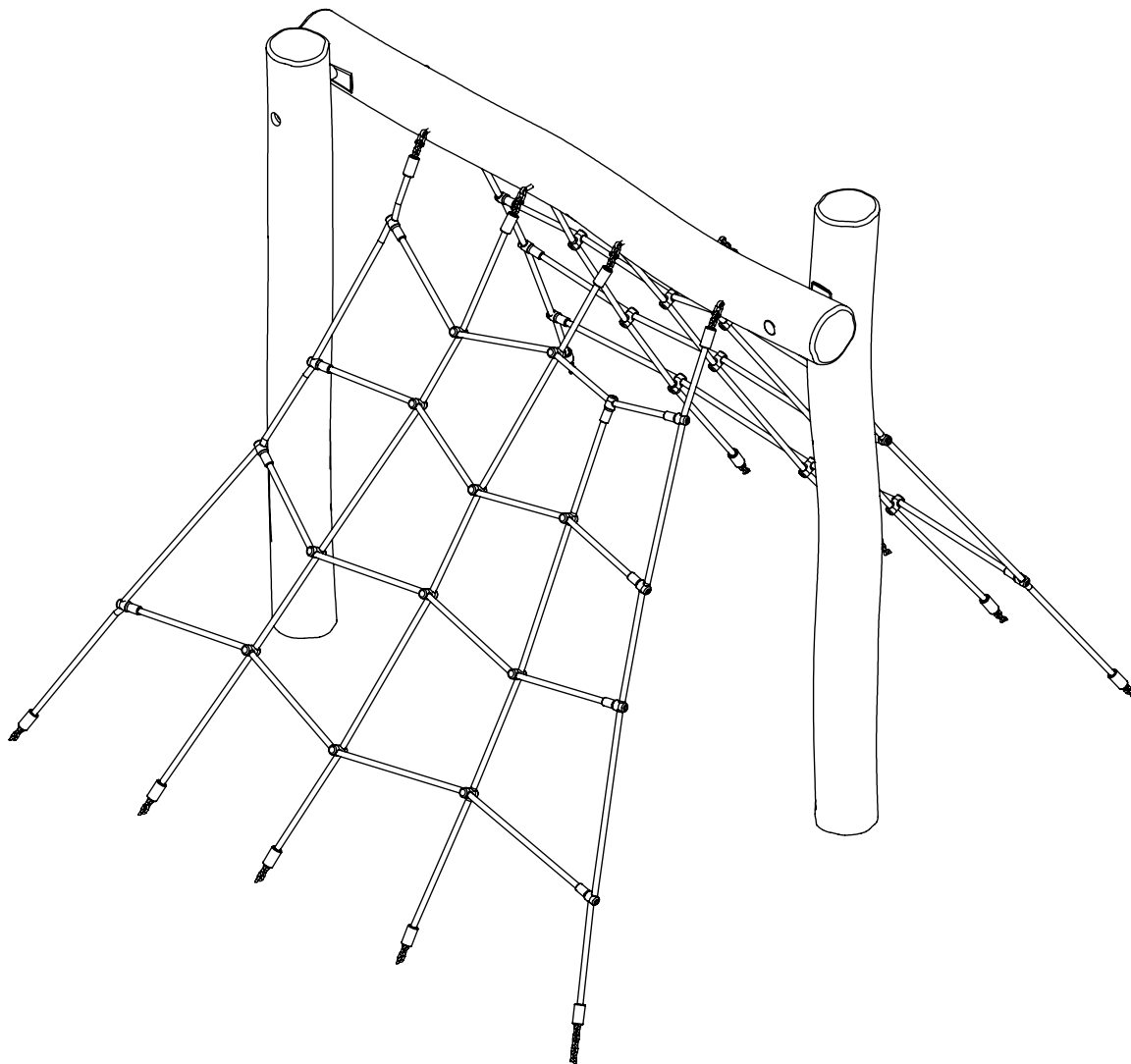


RB1277



3,5h



48h

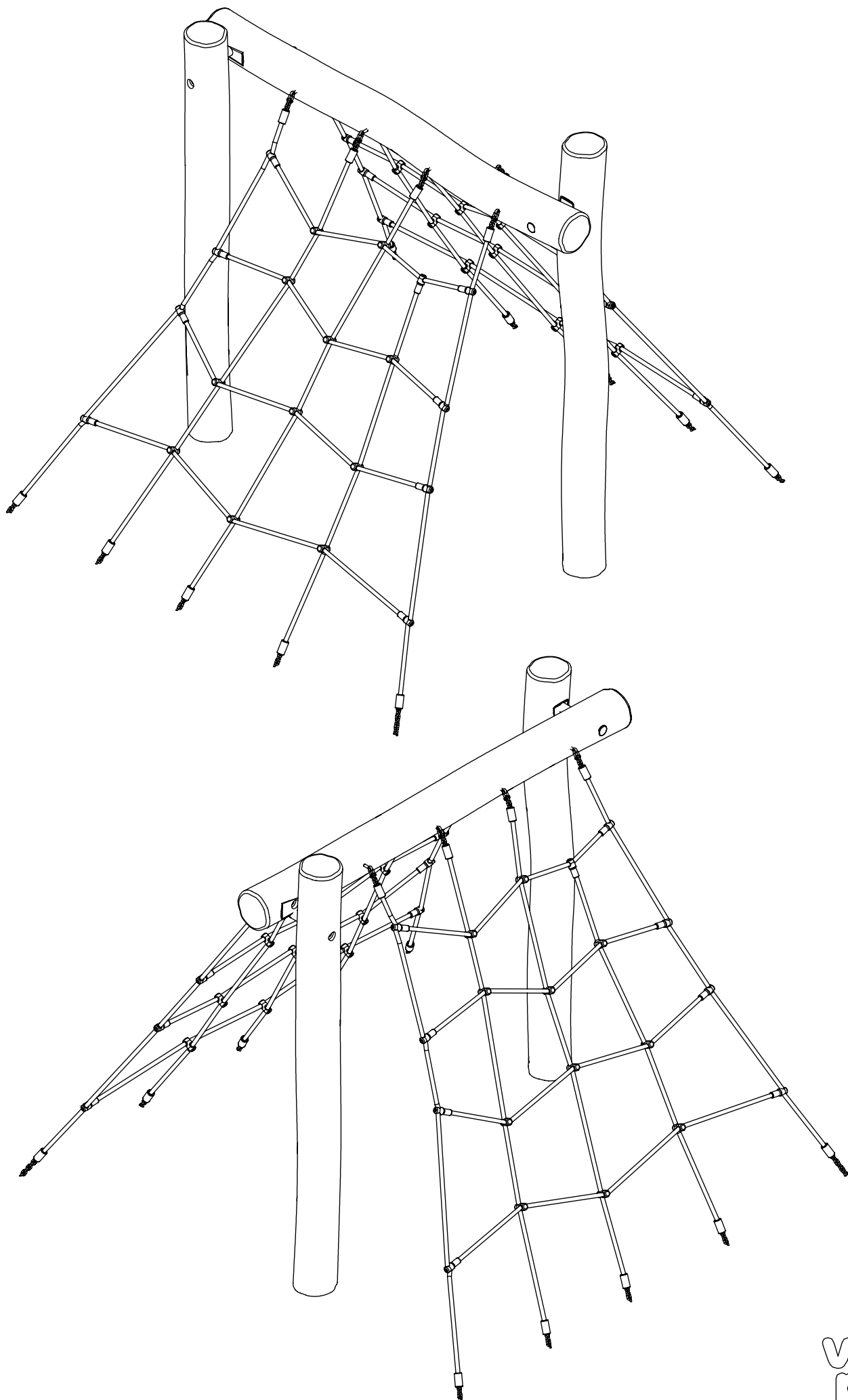


190
HIC



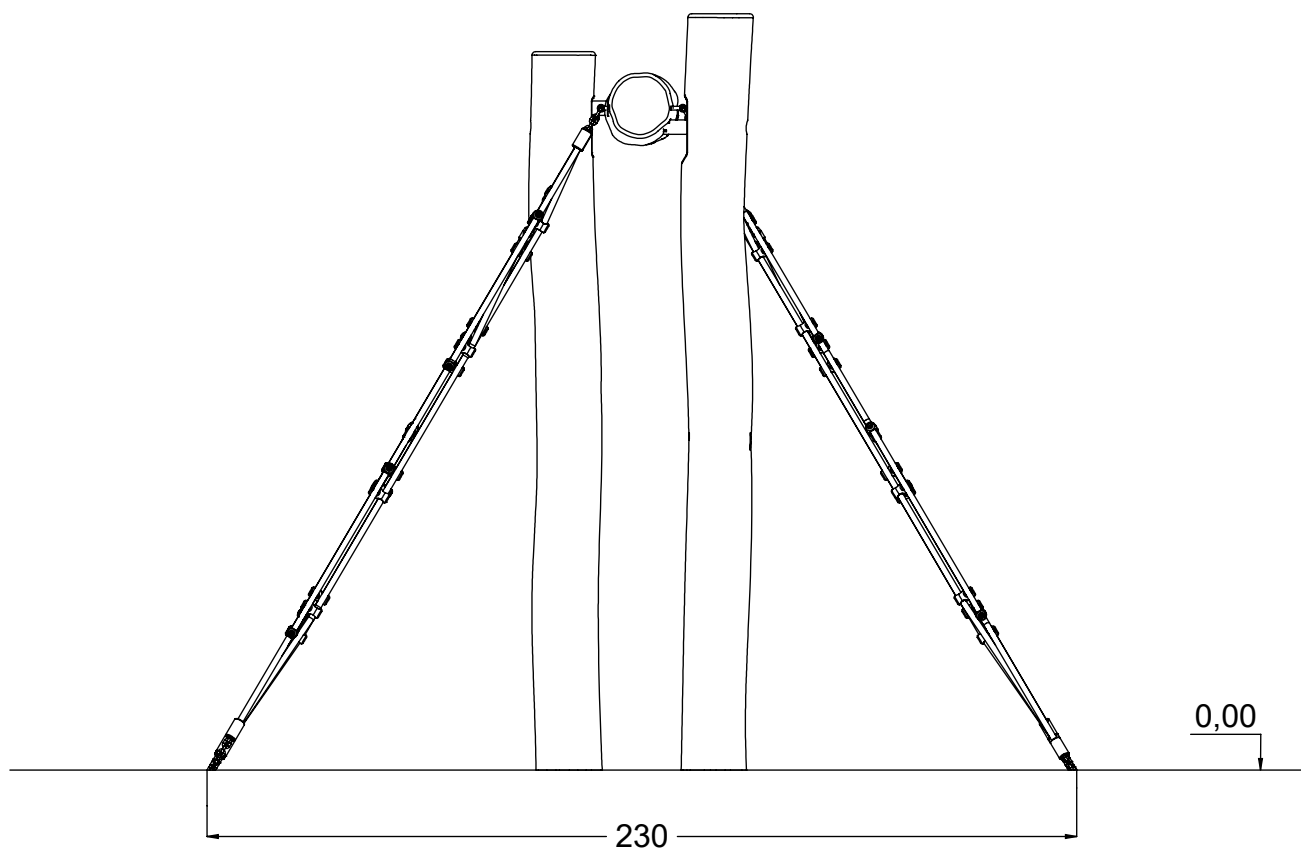
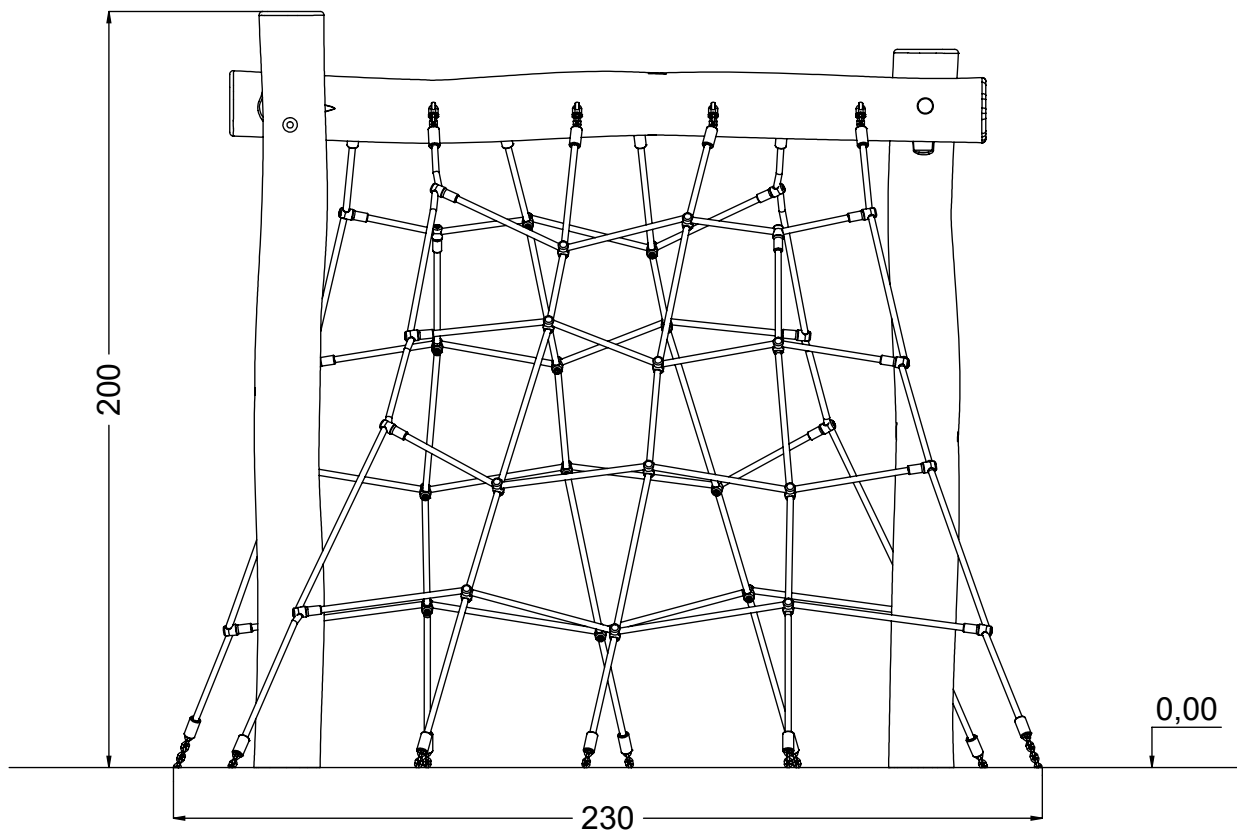
v010
25.02.2021
A. P.
[cm]

vinci
play



[cm]

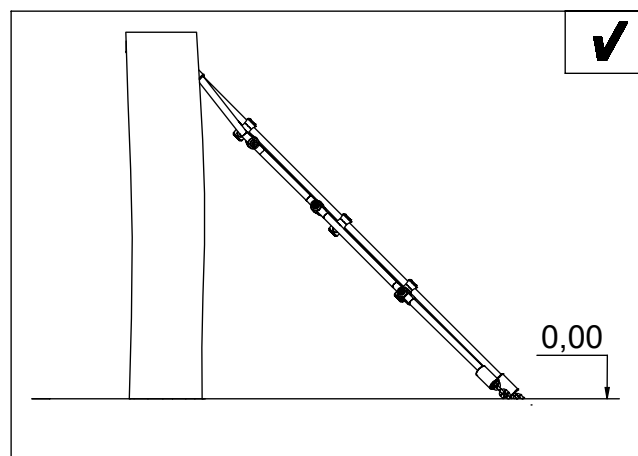
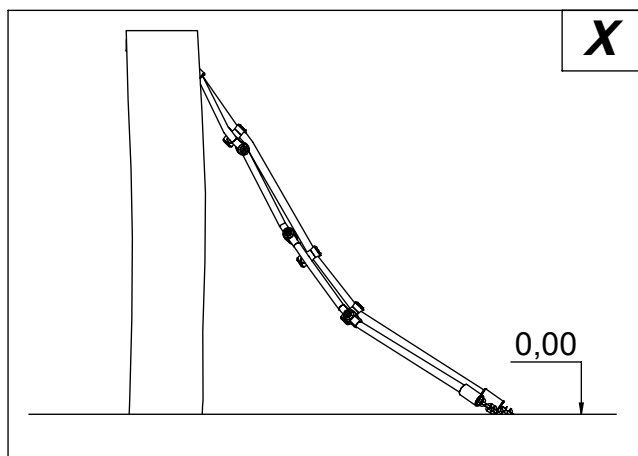
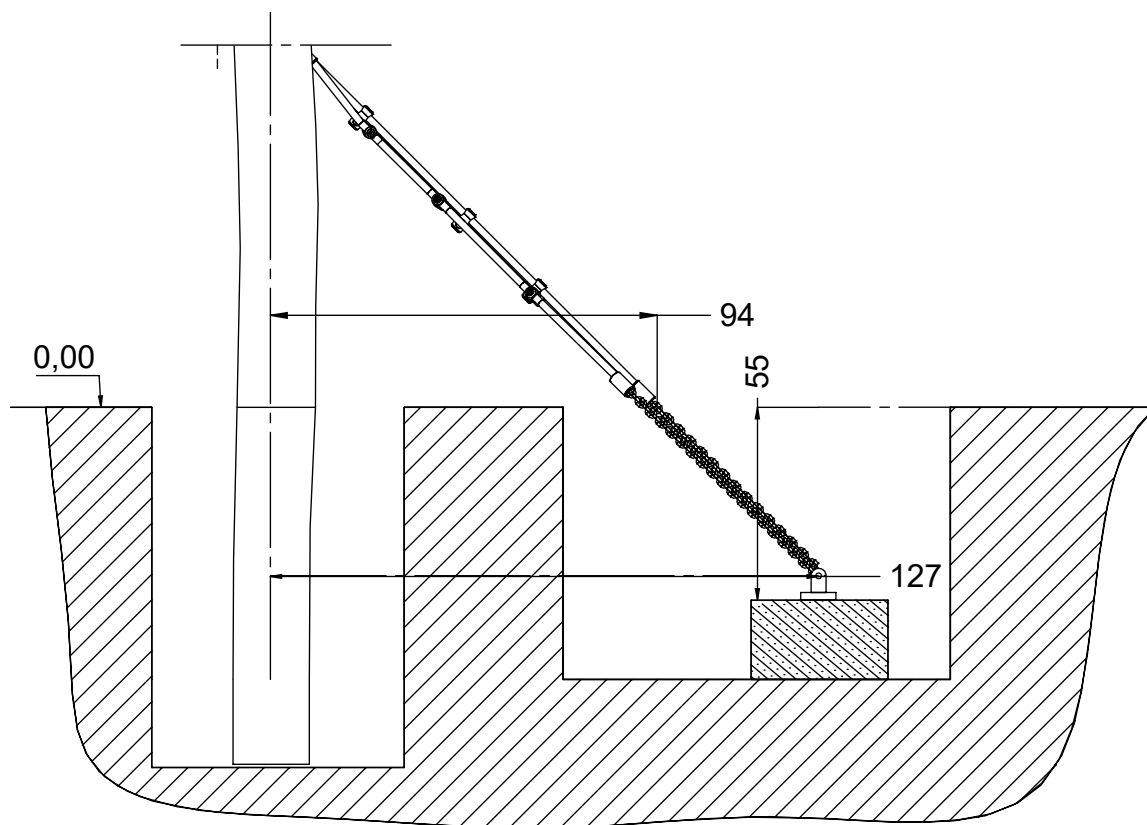
vinci
play



[cm]



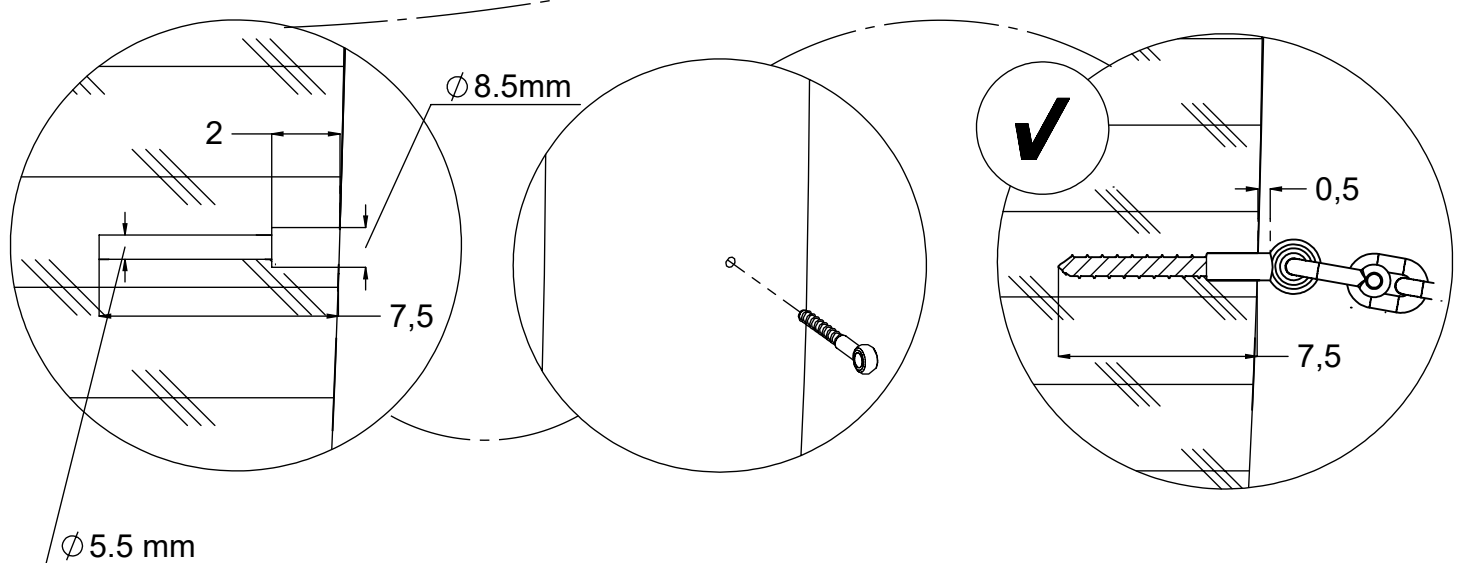
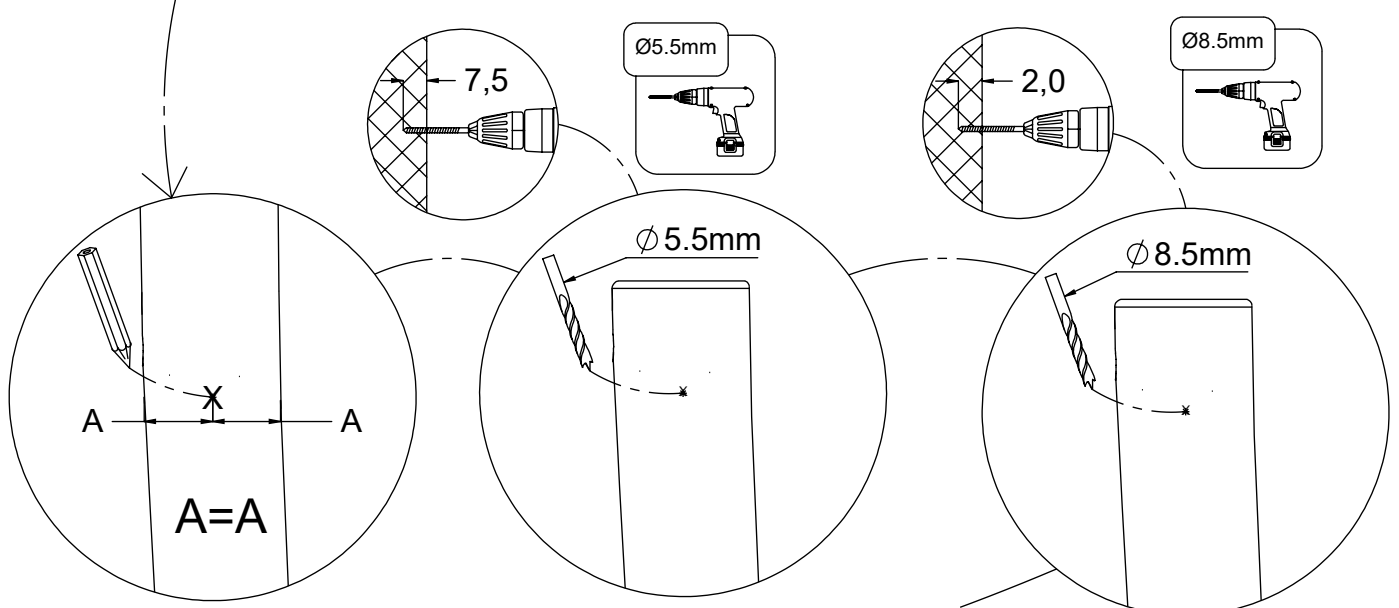
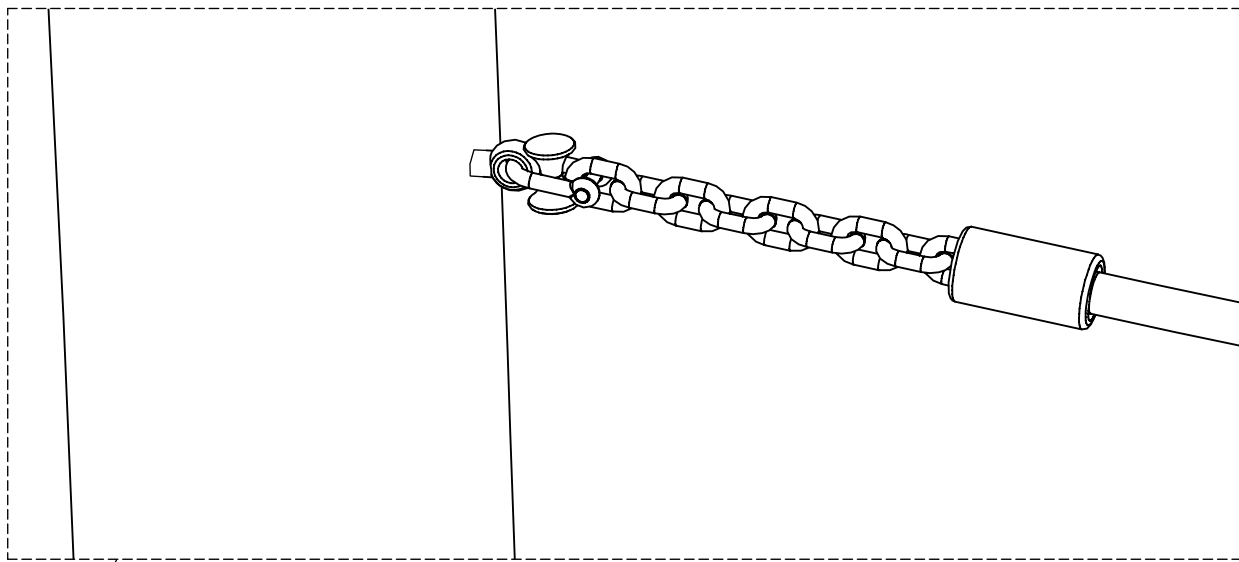
vinci
play



[cm]

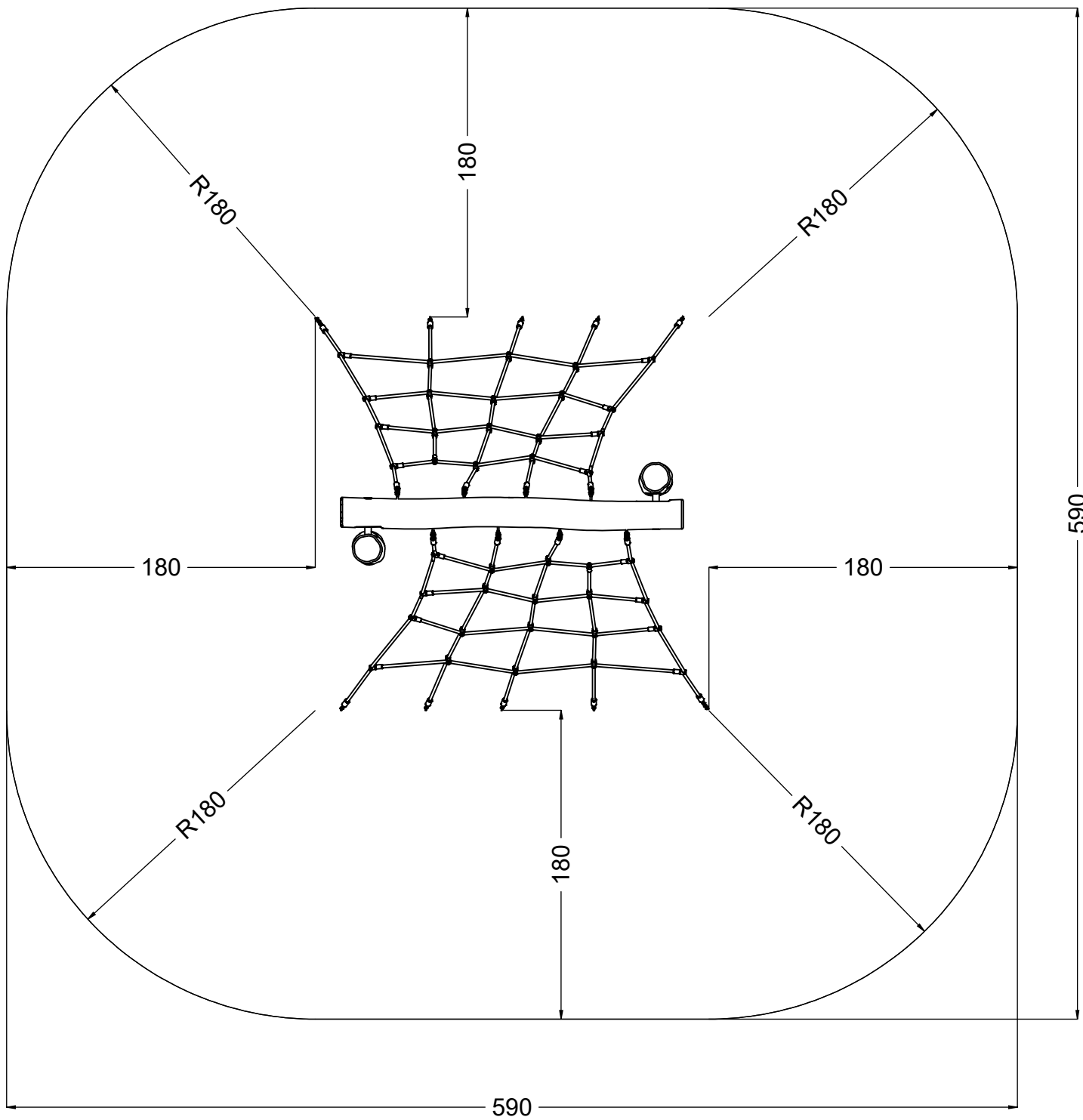


vinci
play



[cm]

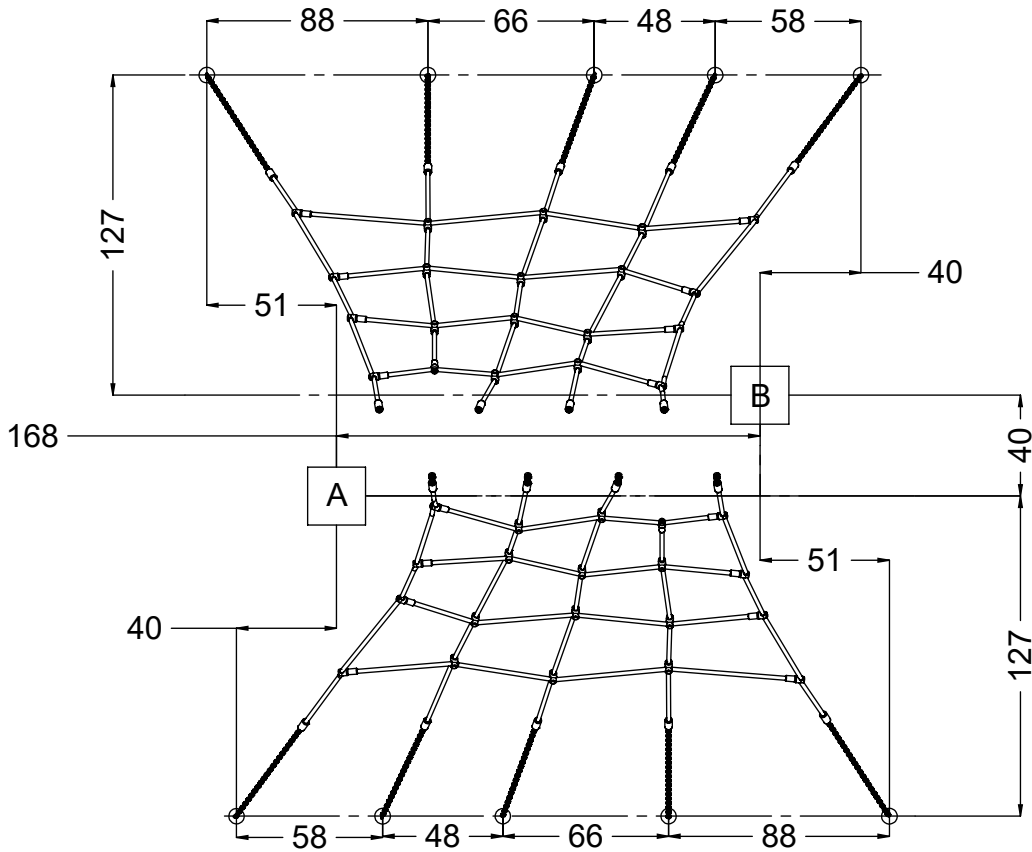
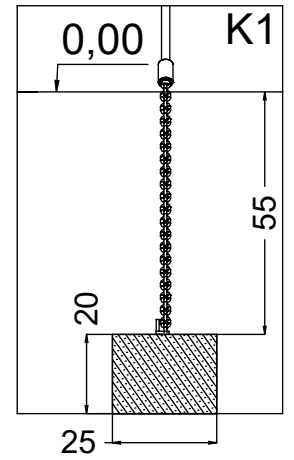
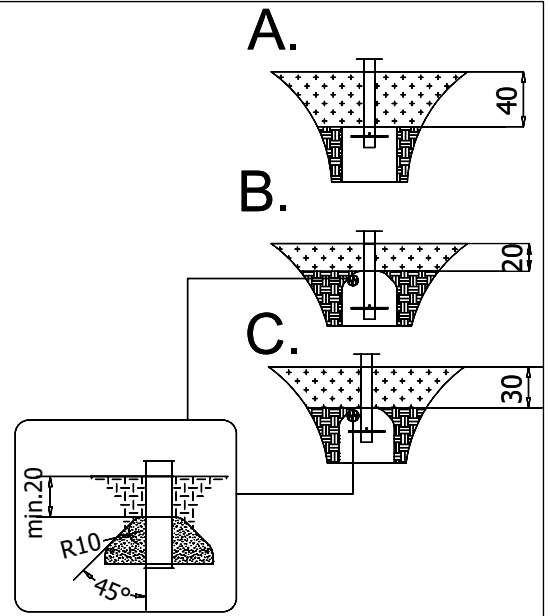
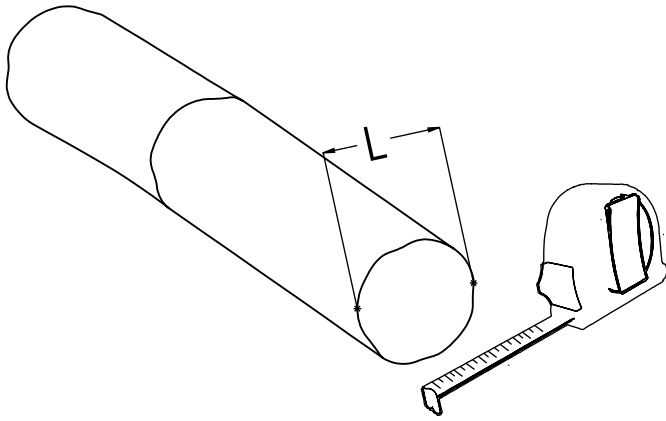
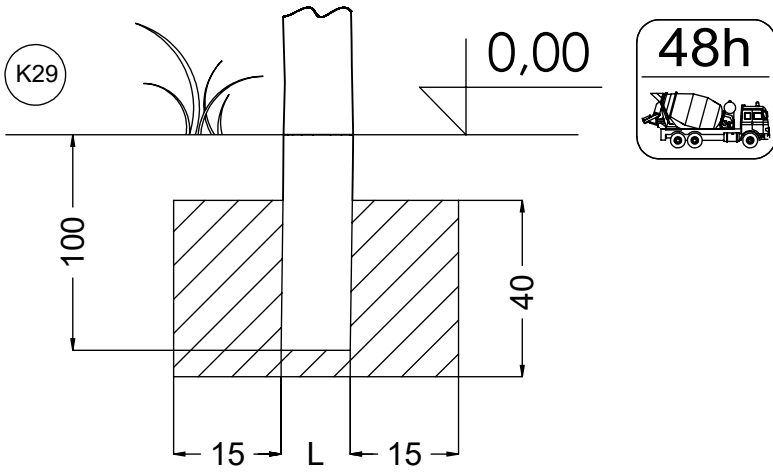
vinci
play



[cm]



vinci
play



[cm]



3,5h



vinci
play



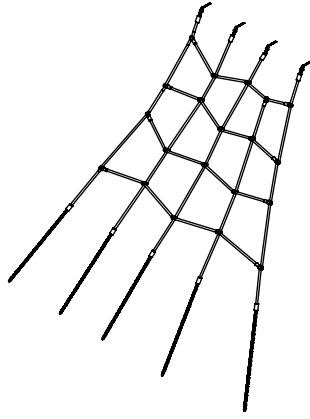
127236 (A)
x1



127237 (B)
x1

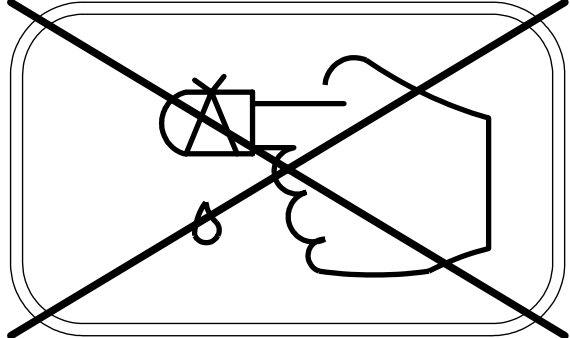
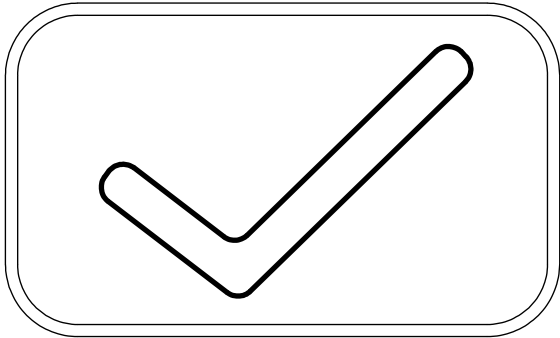
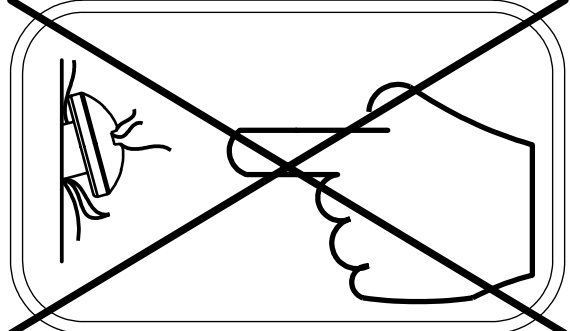
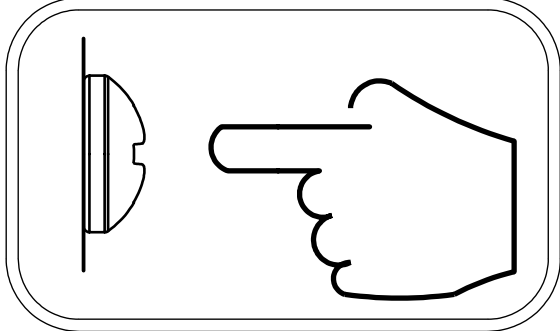
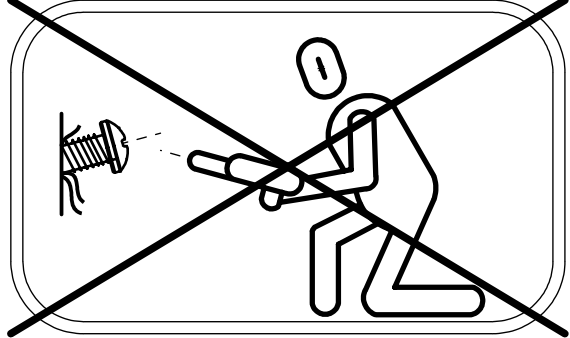
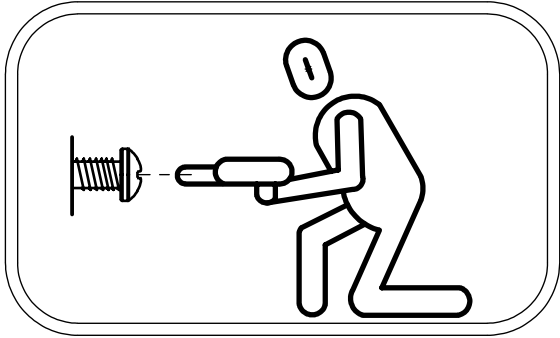


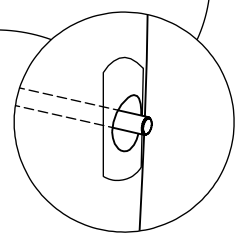
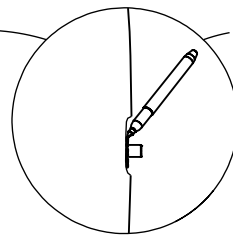
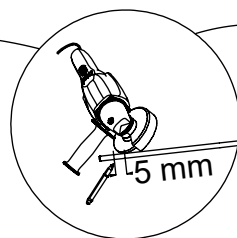
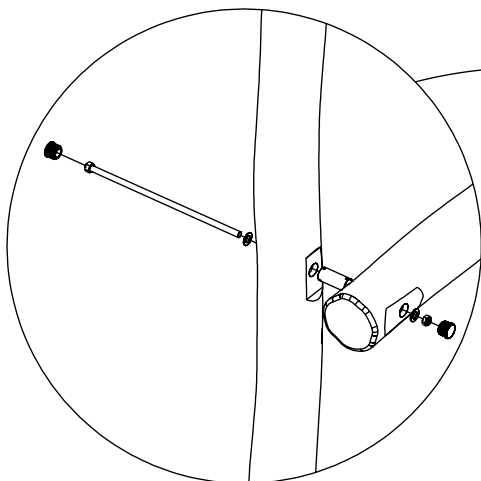
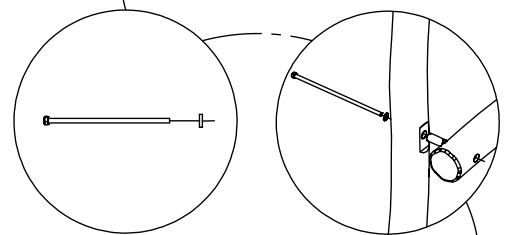
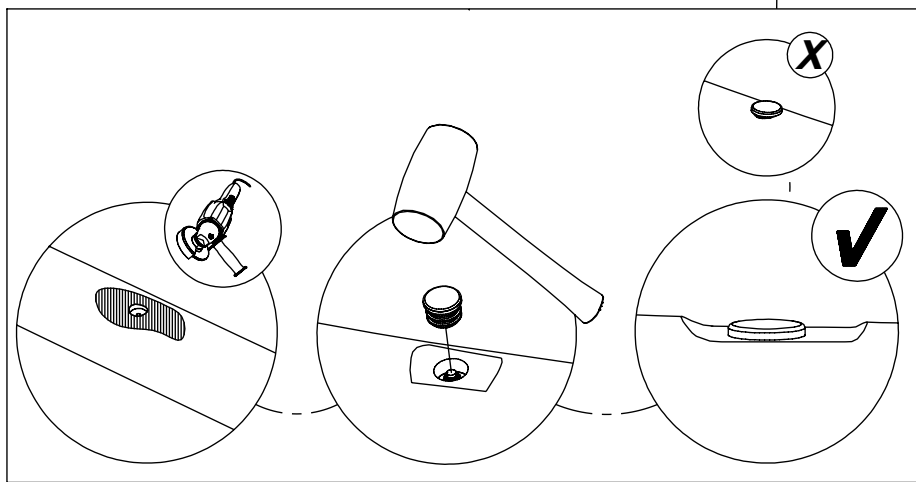
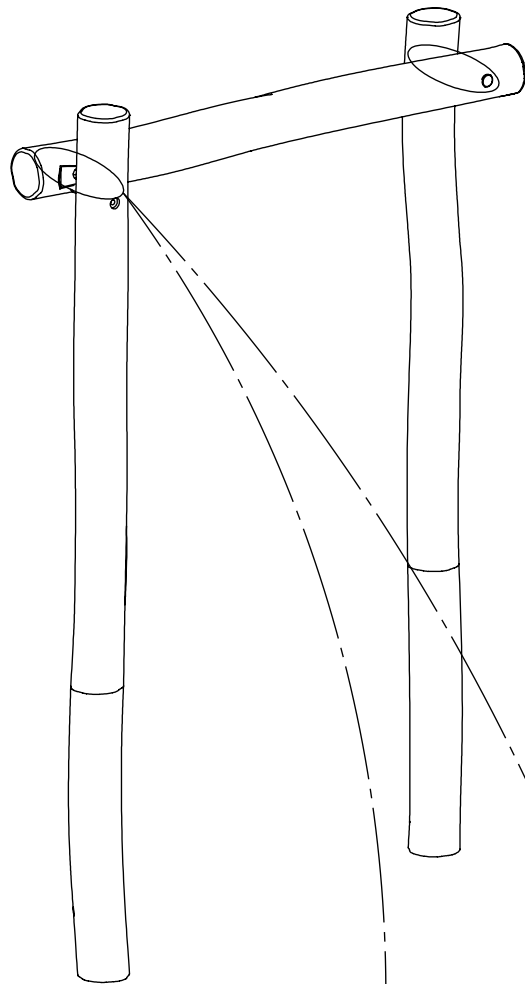
127238
x1



125113
x2

1x	12e022
4x	12e007
10x	12e052
1x	GL
1x	V001

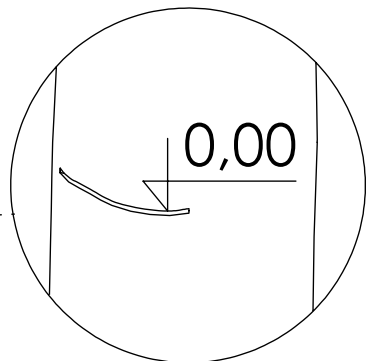
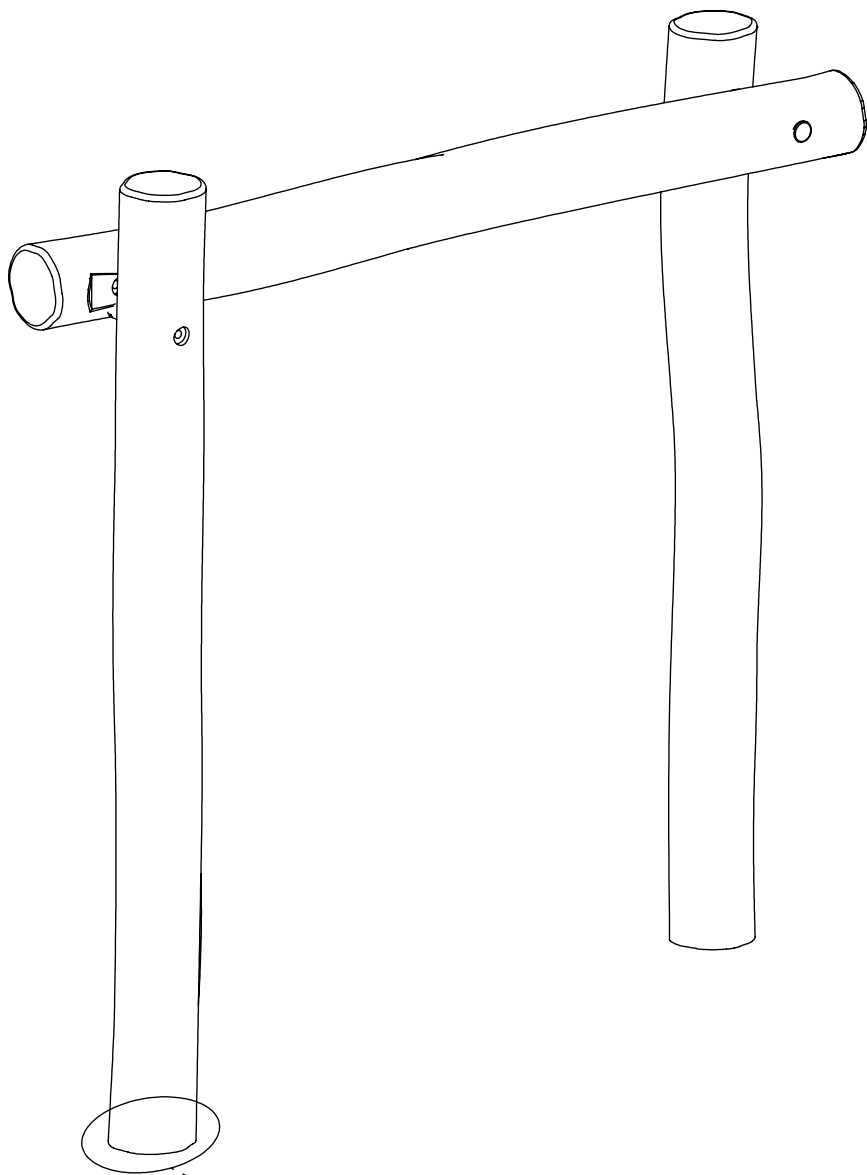




1x 12e022

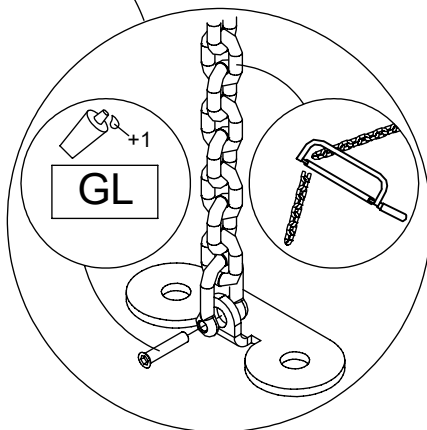
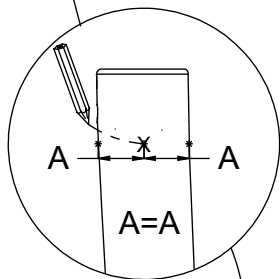
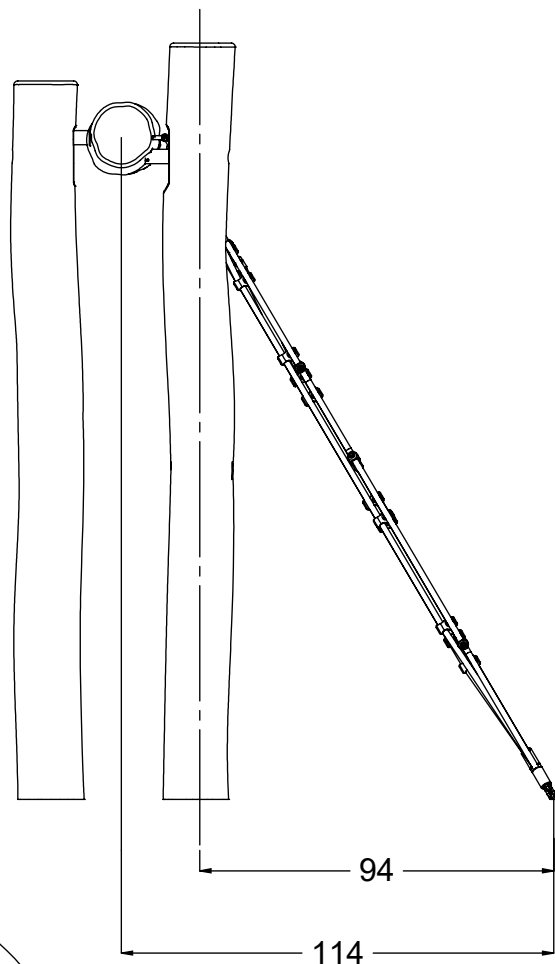
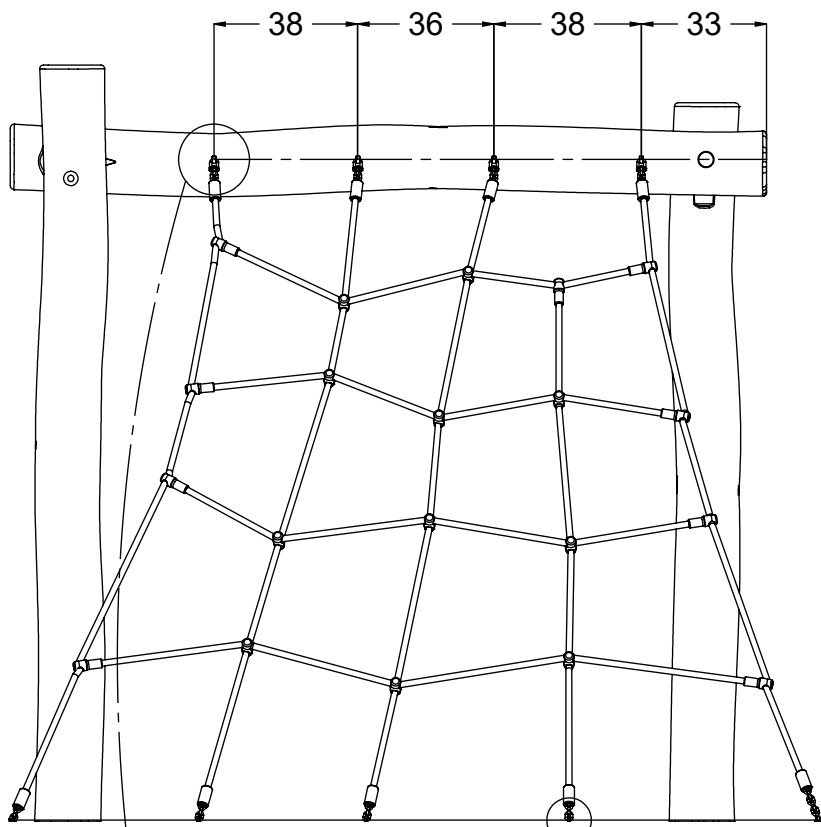
[cm]

vinci
play

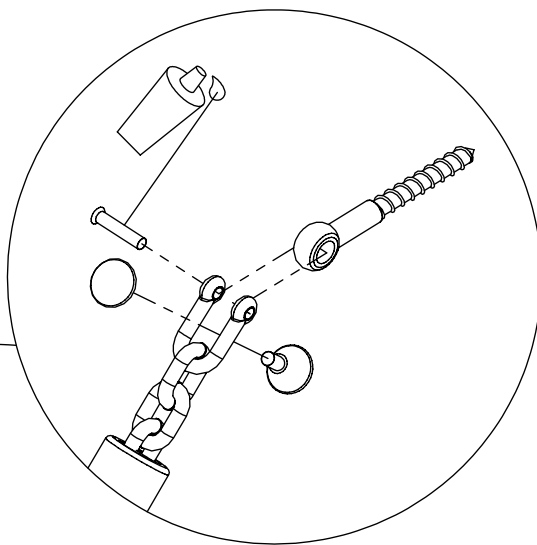
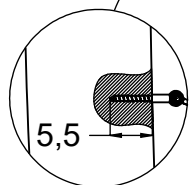
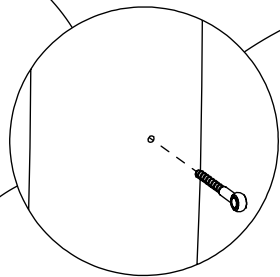
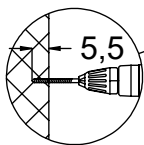
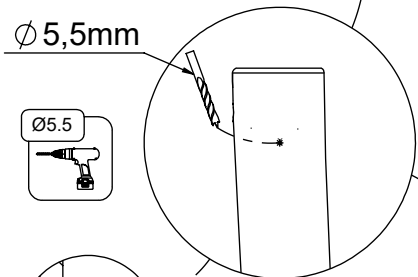


[cm]

vinci
play



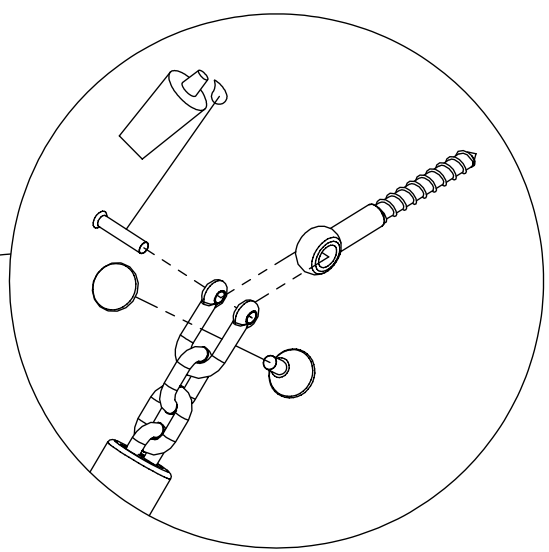
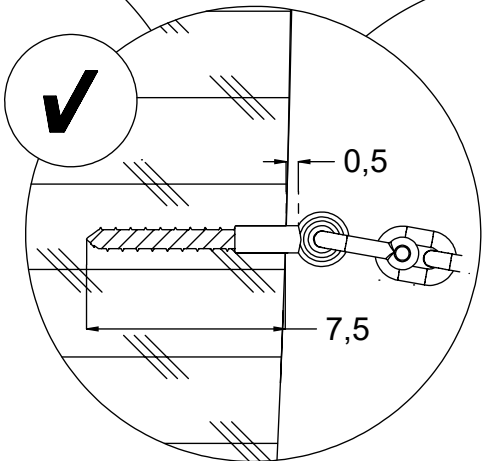
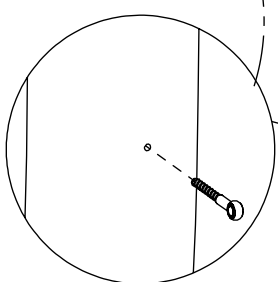
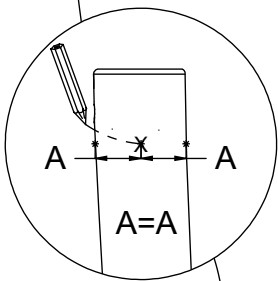
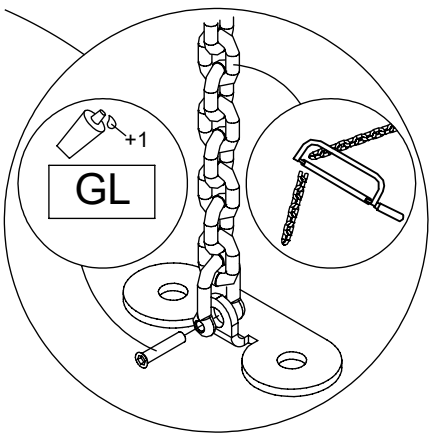
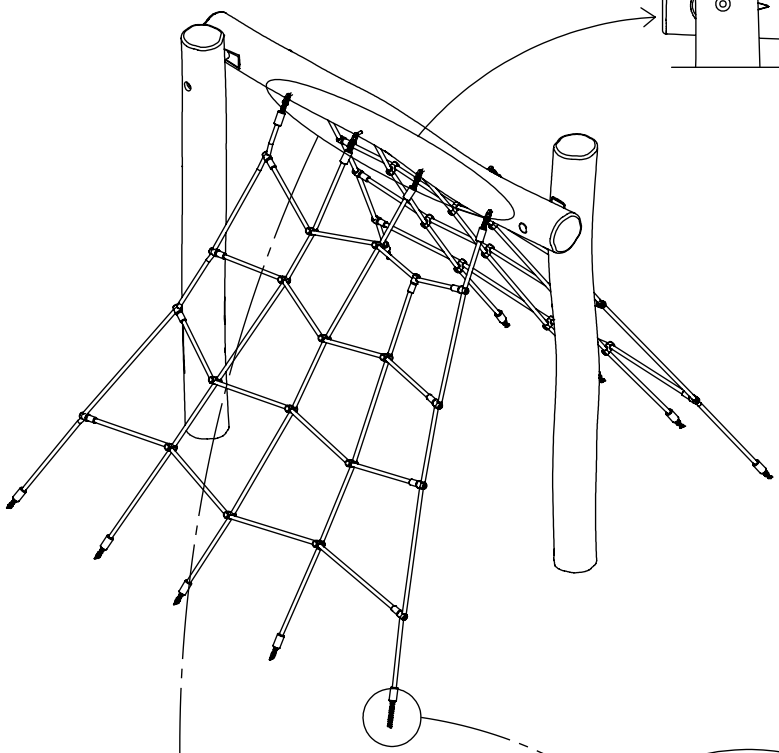
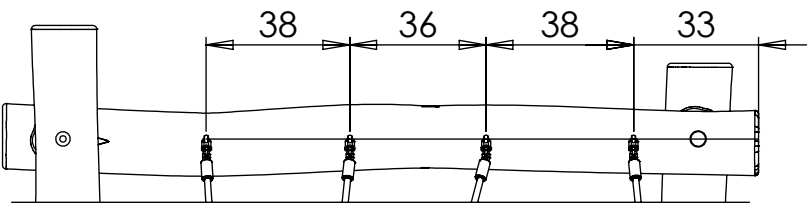
5x 12e052



2x 12e007

[cm]

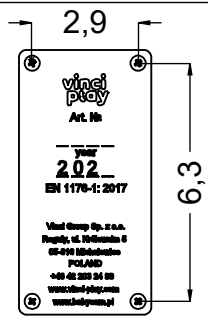
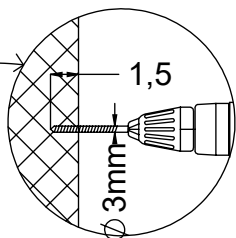
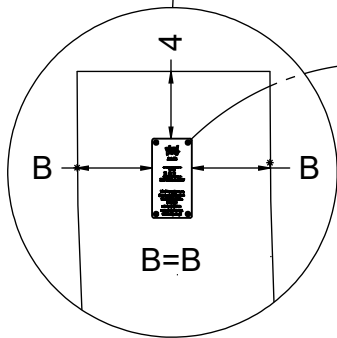
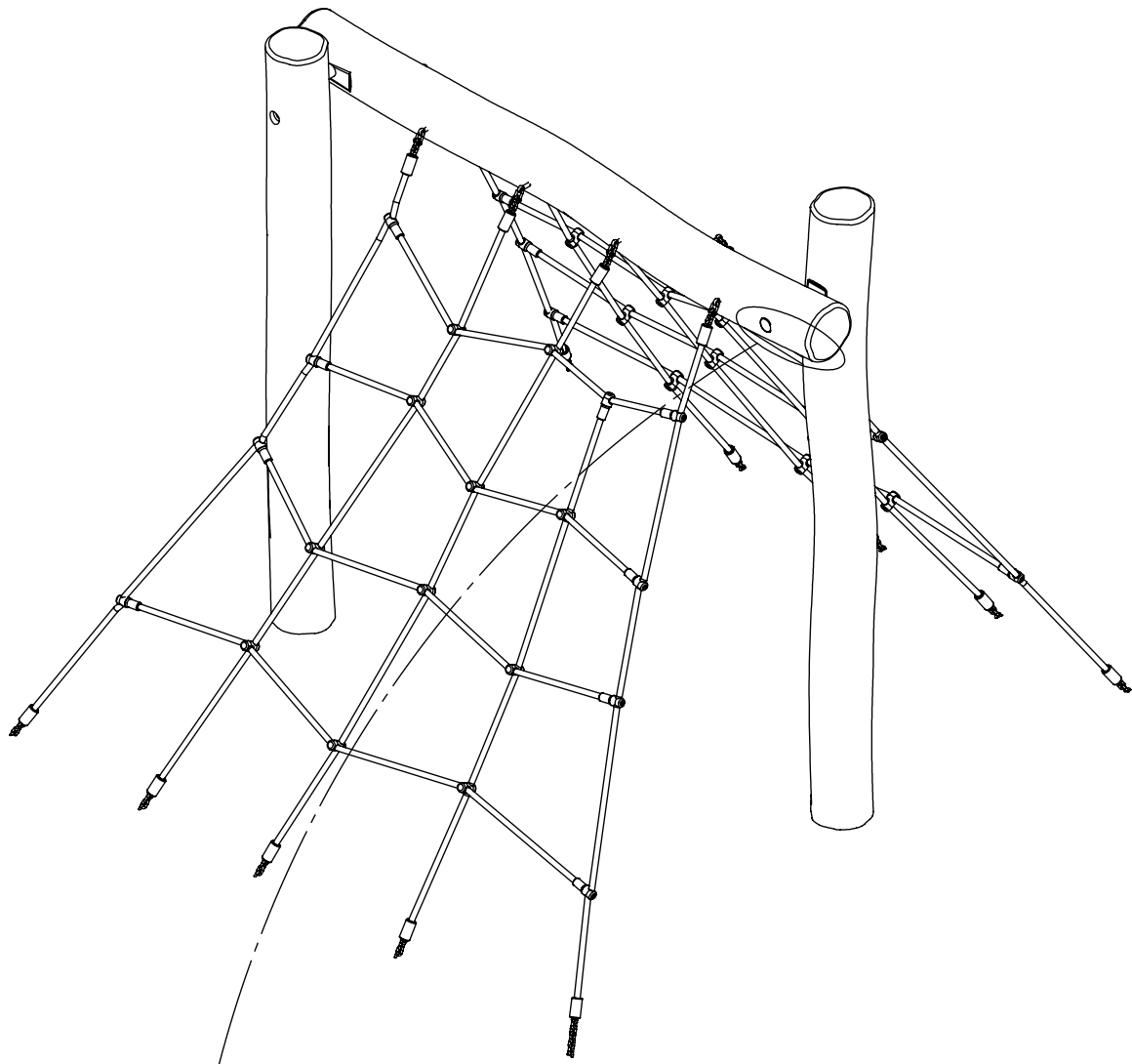
vinci
play



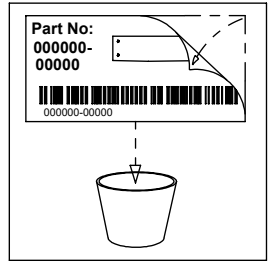
2x 12e007

[cm]

vinci
play



V001



[cm]

vinci
play