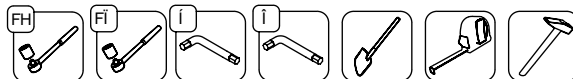
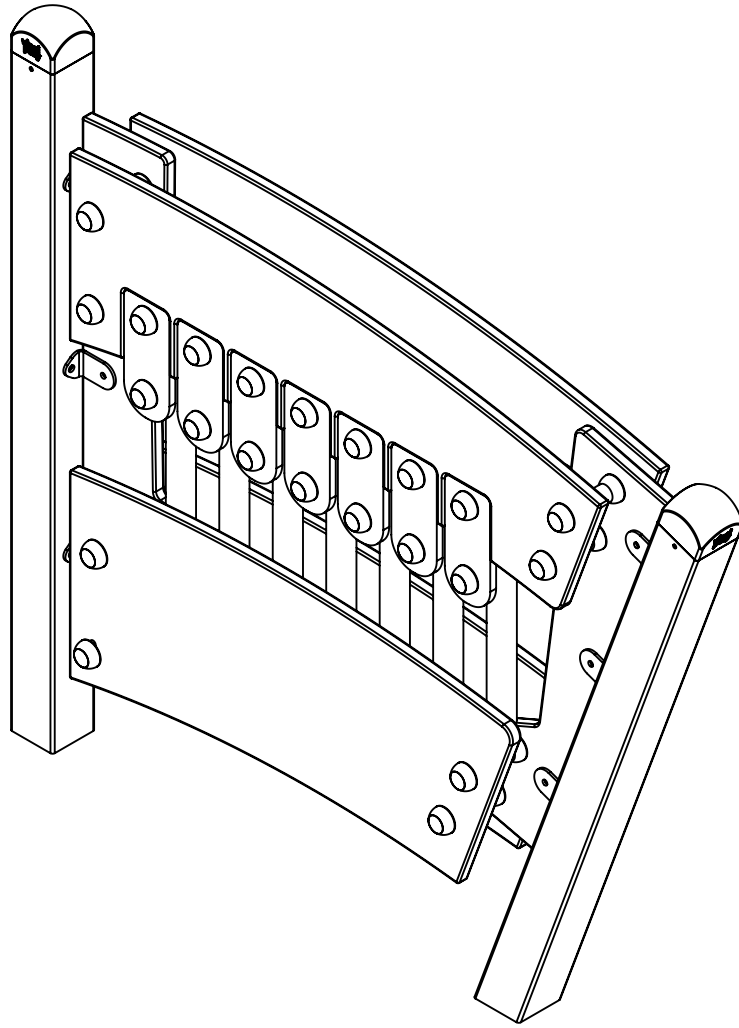
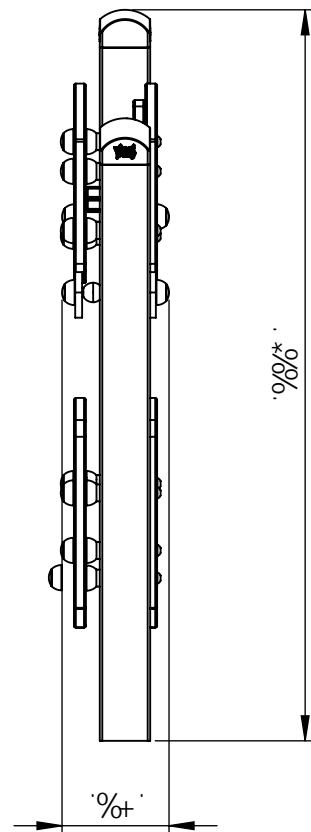
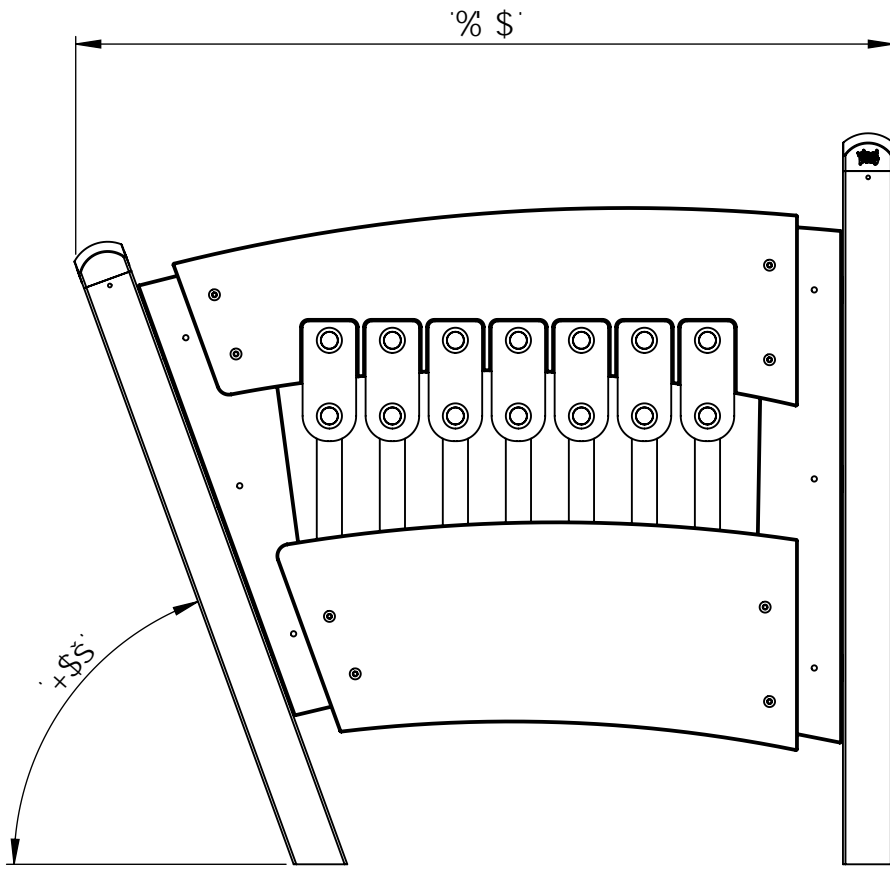


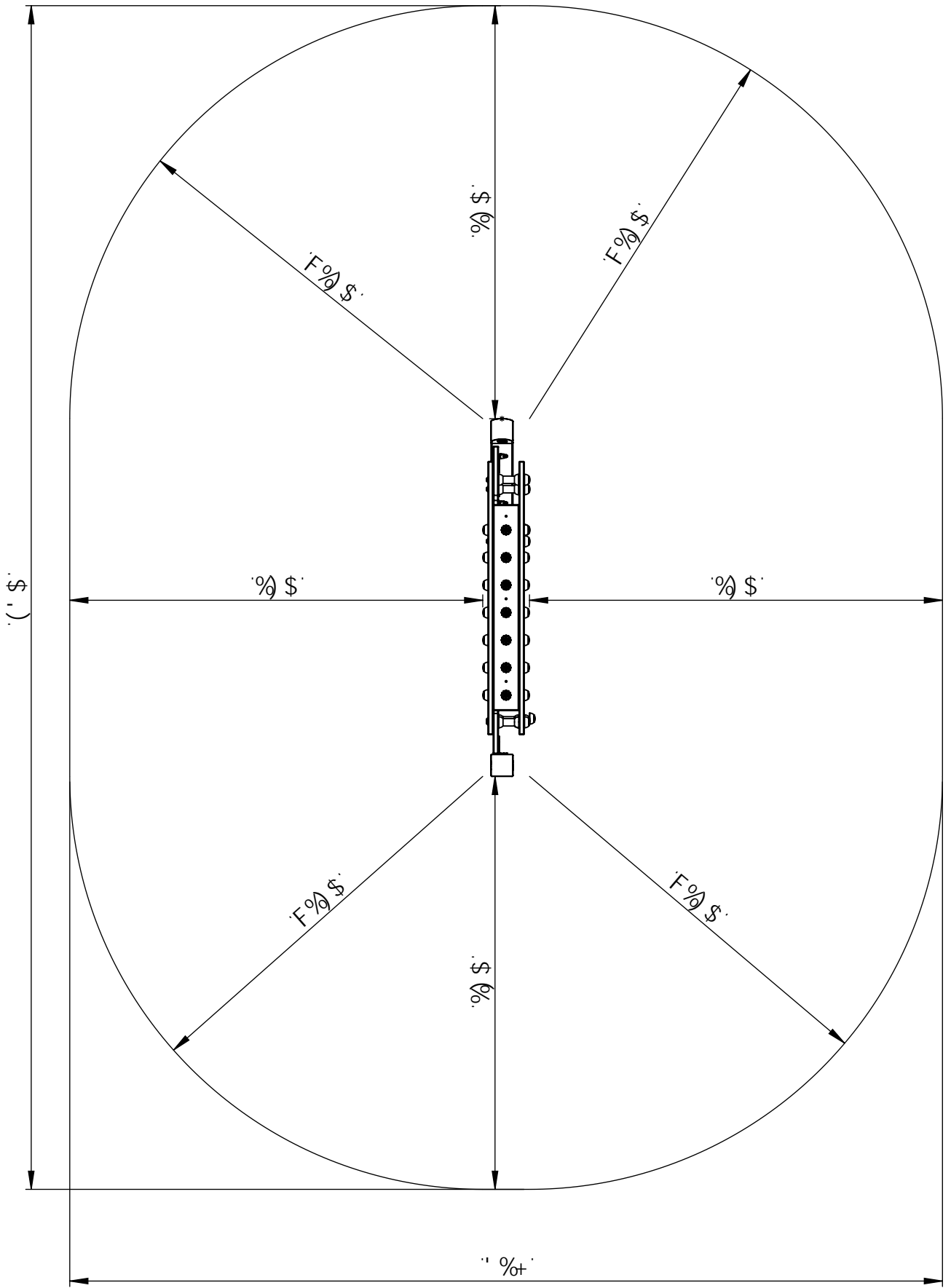
F I F

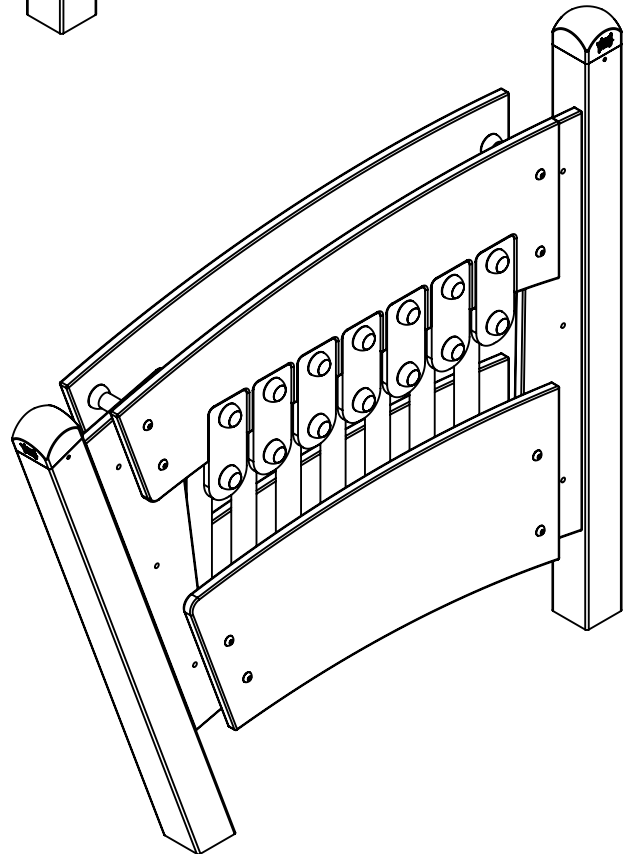
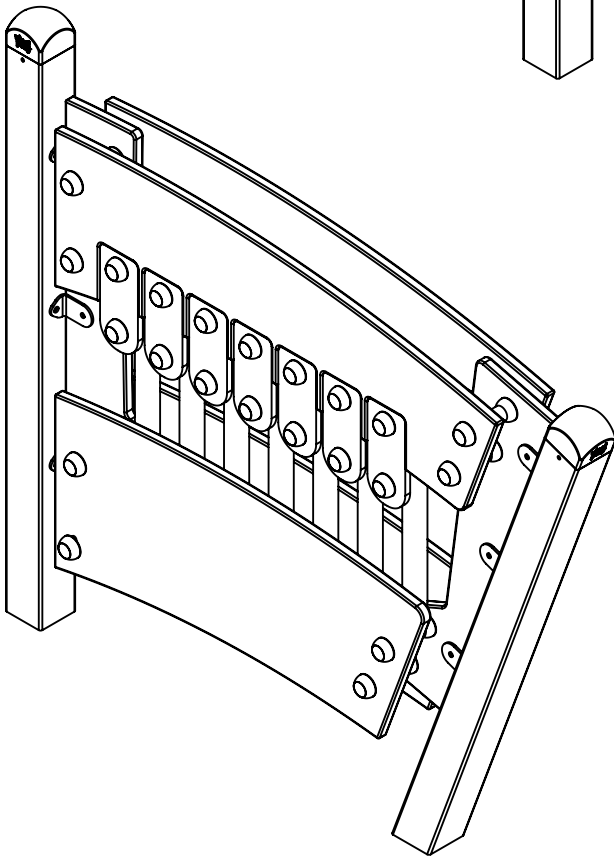
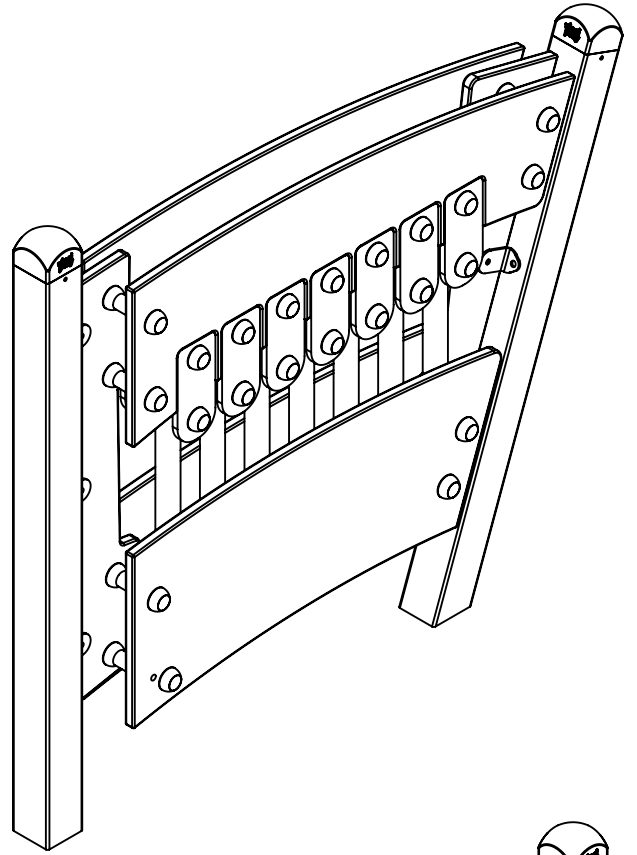
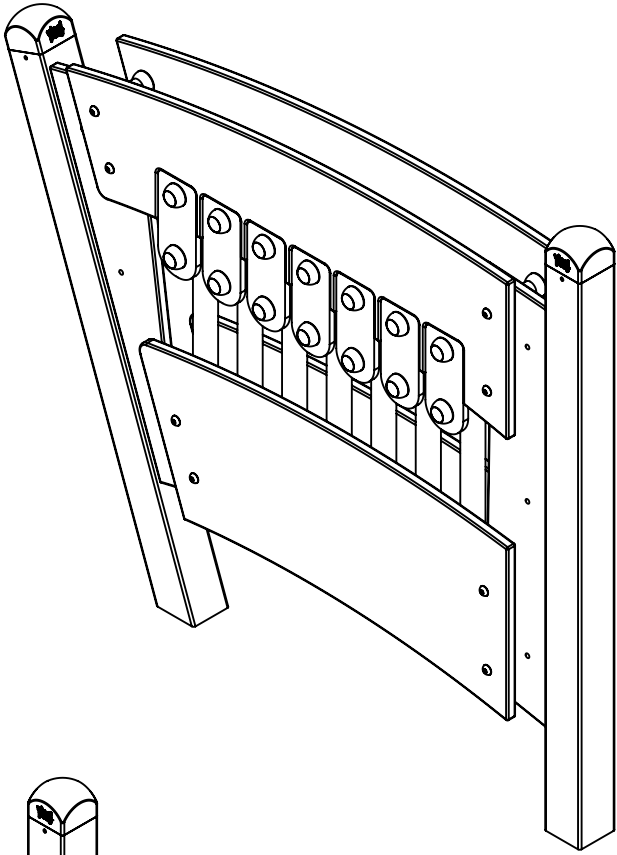


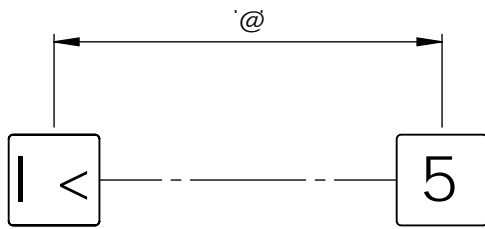
0/1 Q

j %\$ # \$* "\$*"&\$&\$
5"?"

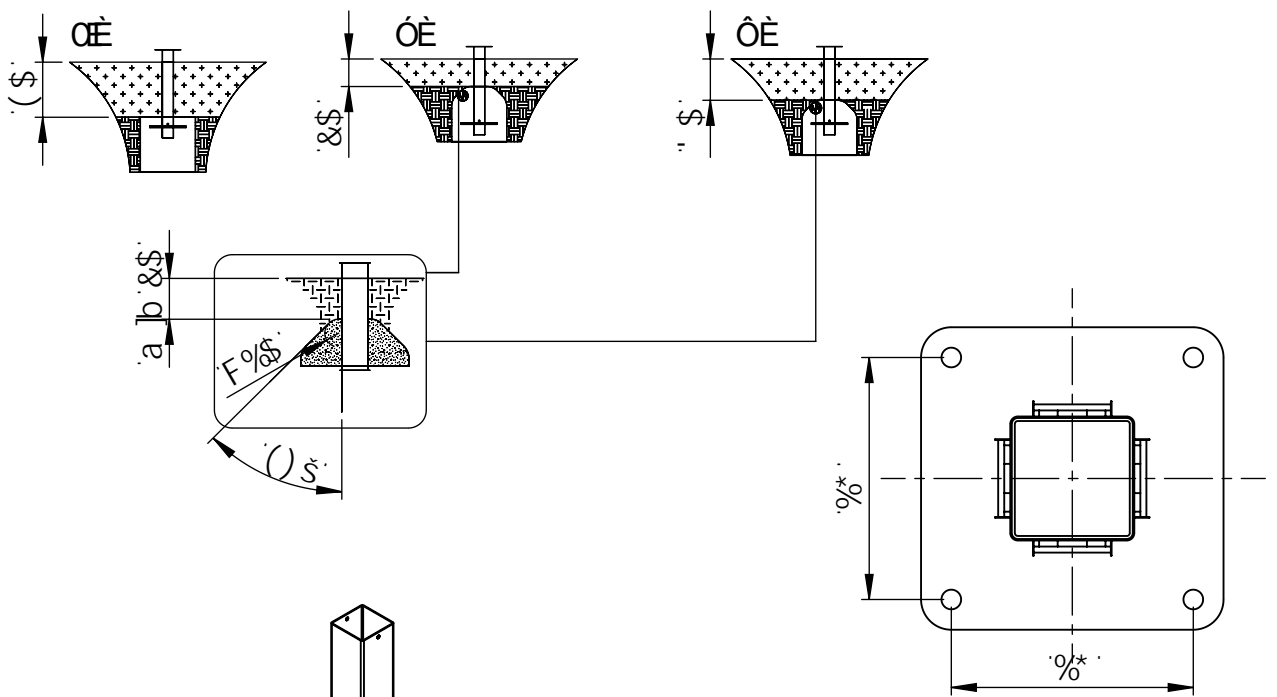




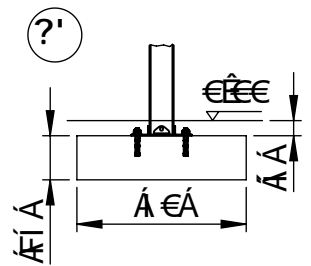
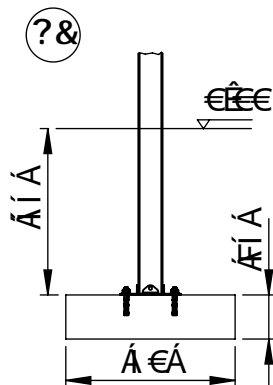
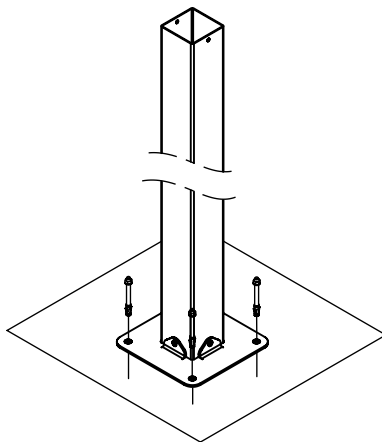


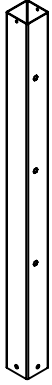


	@ ONa Q
?%ž?&	*
?'	,)



	SGZSH
T Fc FGE/cci	
BCH	
7 @ 898	

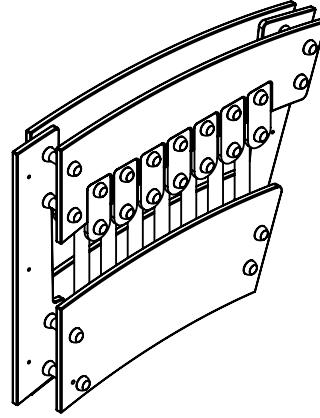




%t+%5
|%



%t'|<
|%



%t(%%6
|%

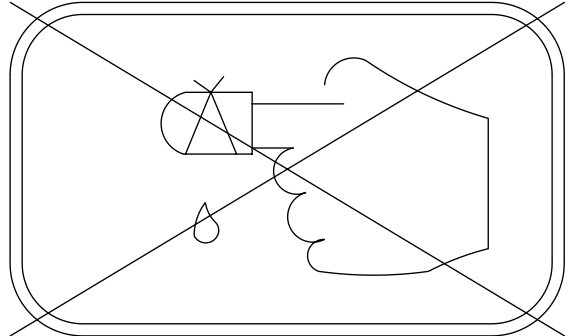
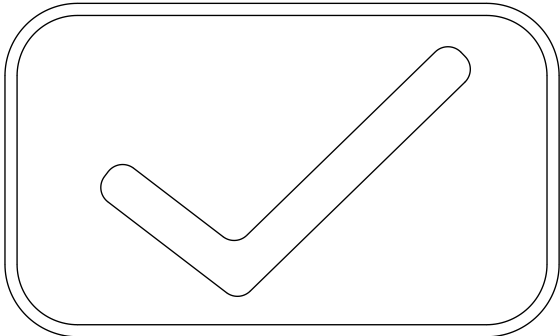
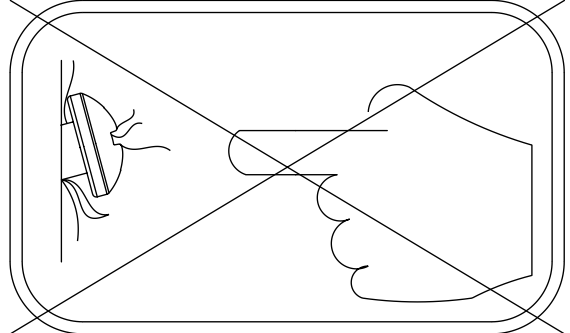
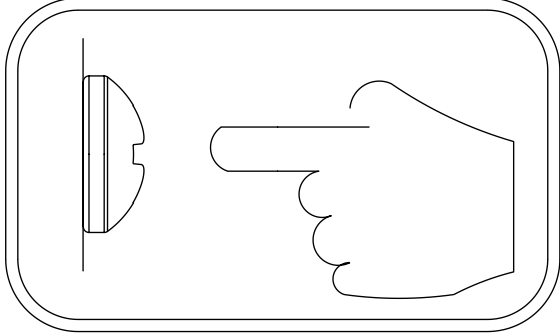
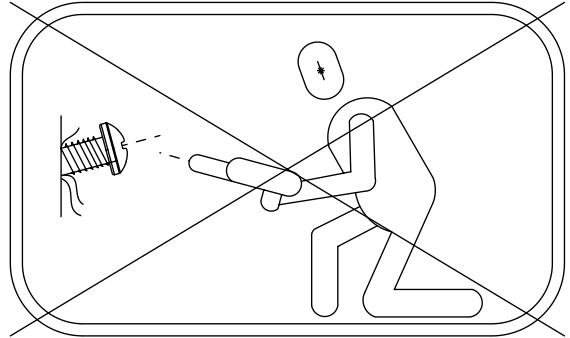
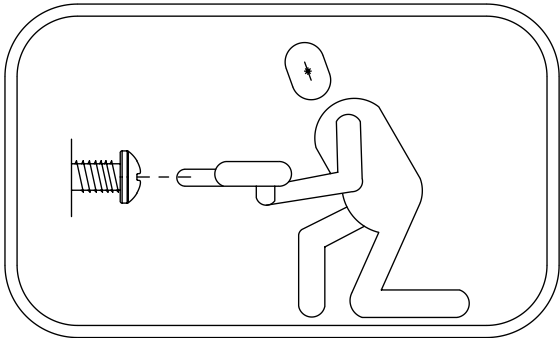
E m'	G#BCL
(%'dd†
(%'b\†
(%'l &'a †
%	J \$\$\$

E m'	<8D9
%	%+V\$(*

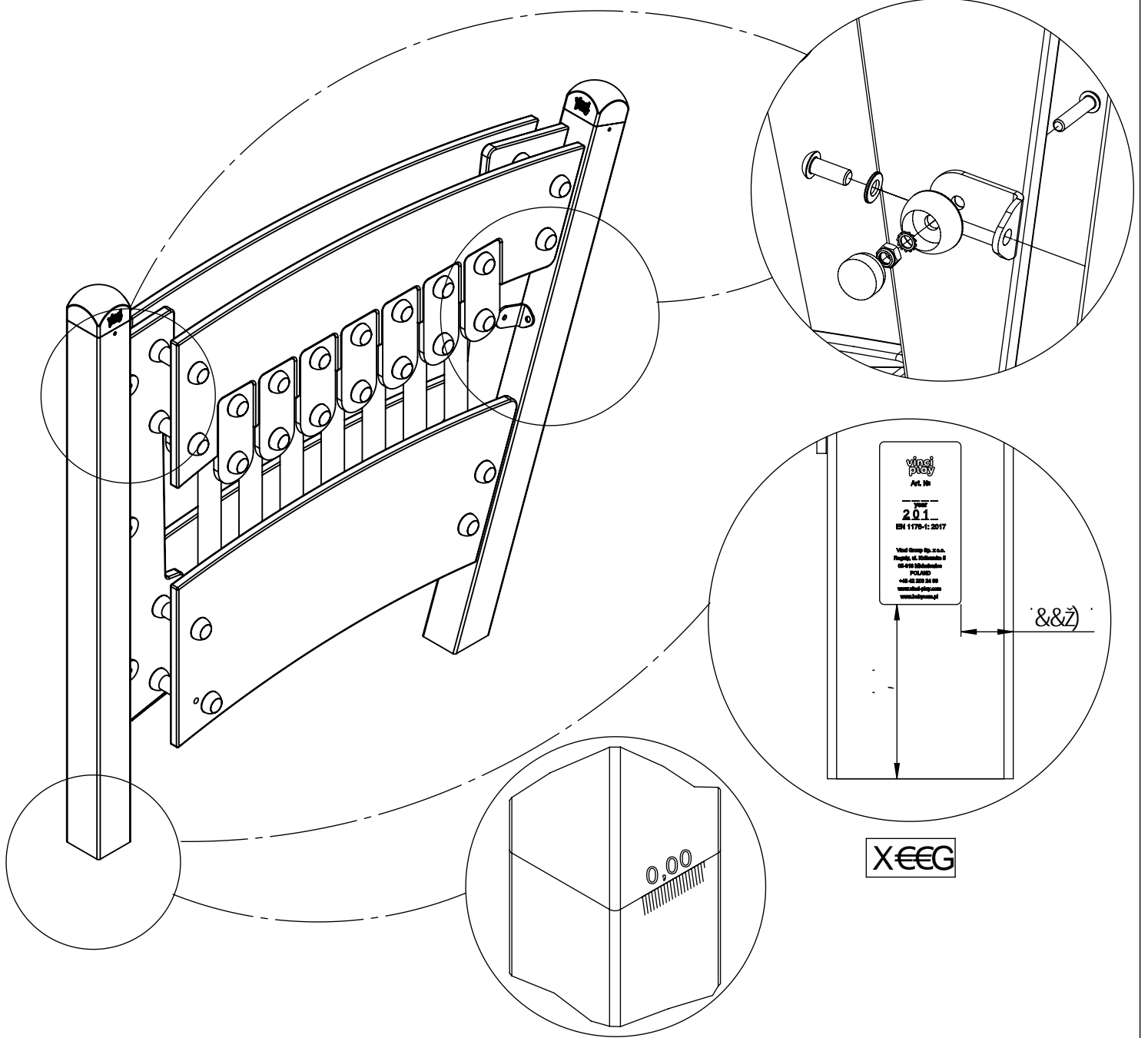
?&ž?'

V&' %
|%

† '?&ž?'



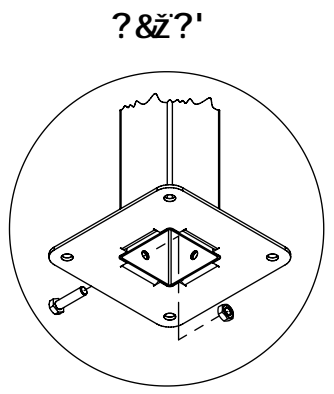
Fø Fİ &€I Î



X€€€

DUfBc.
\$\$\$\$\$\$!
\$\$\$\$\$\$

Below the barcode is a dashed line that points to a simple line drawing of a cup.



- I ç F€çGE{
- I ç F€]
- I ç F€ } @

vinci play