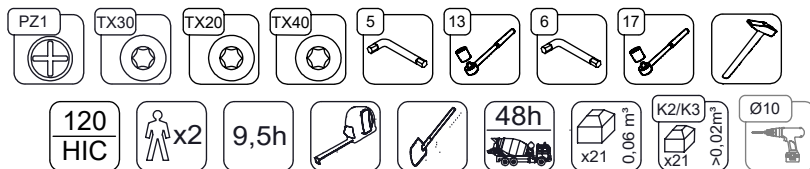
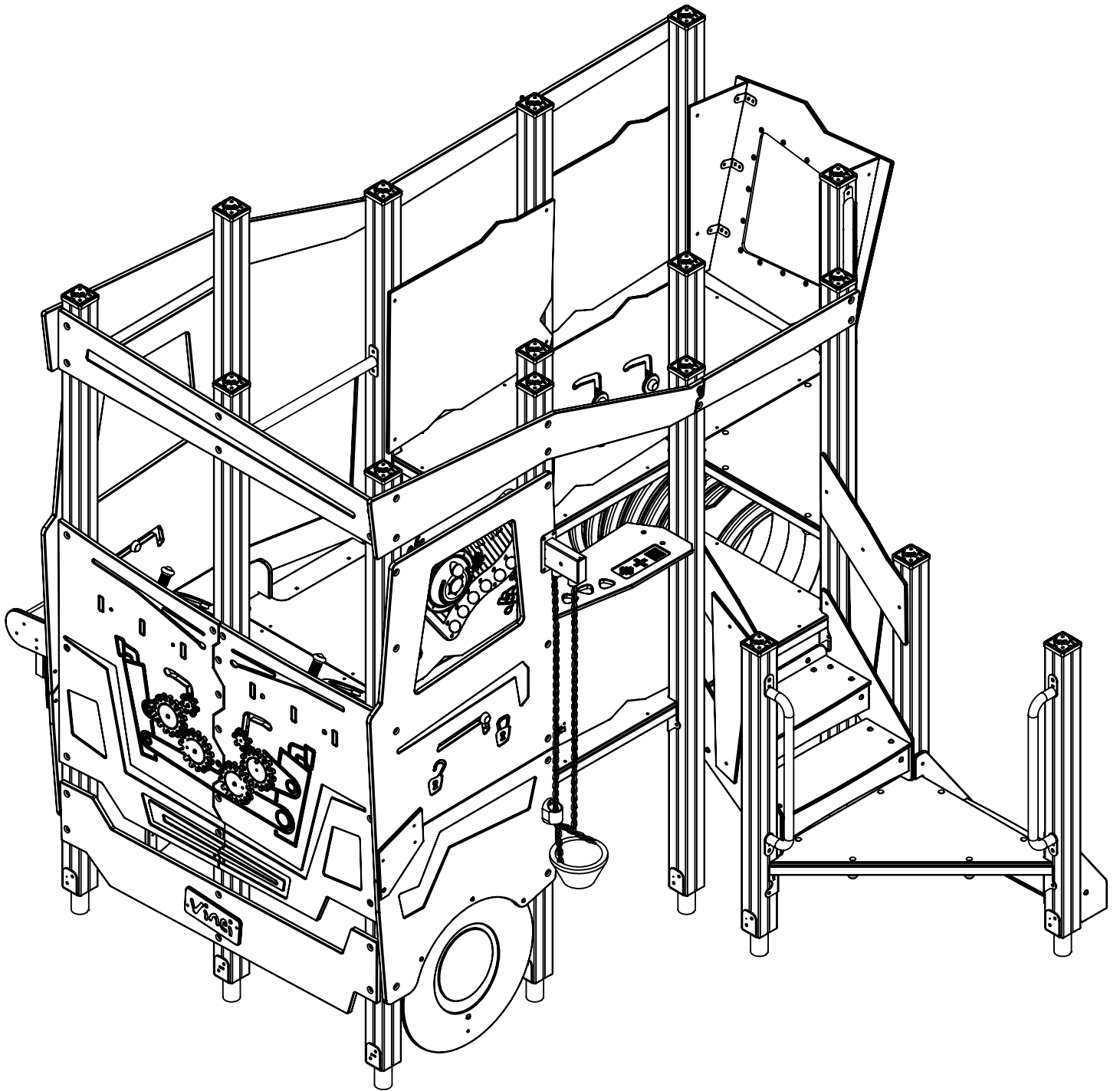
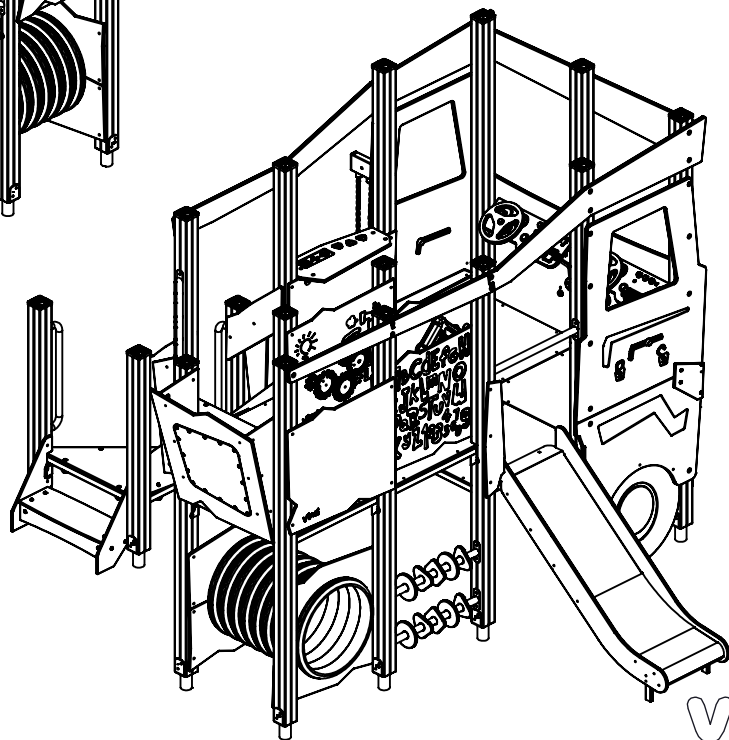
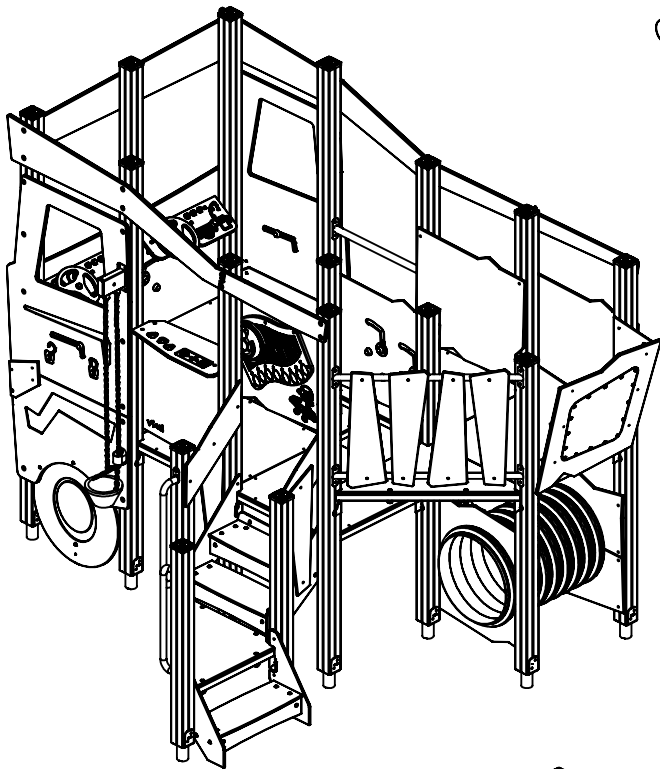
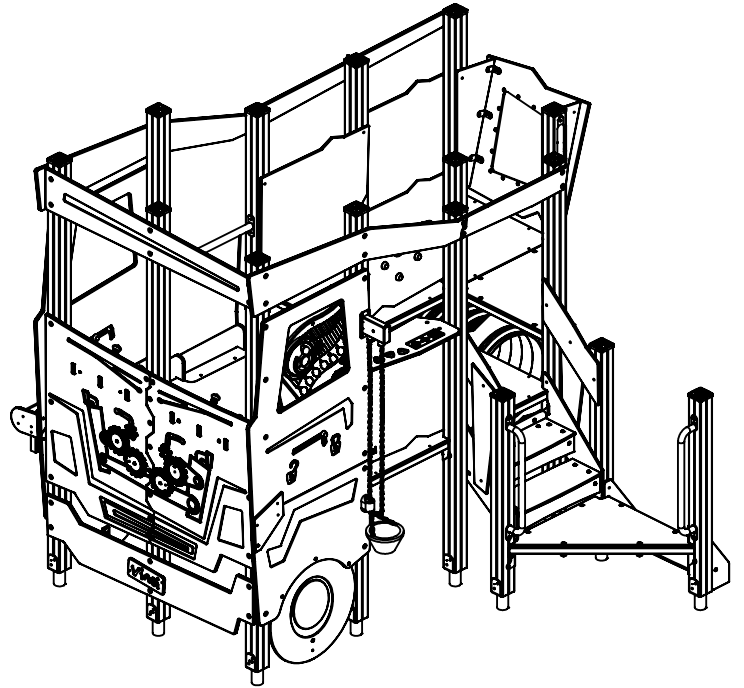
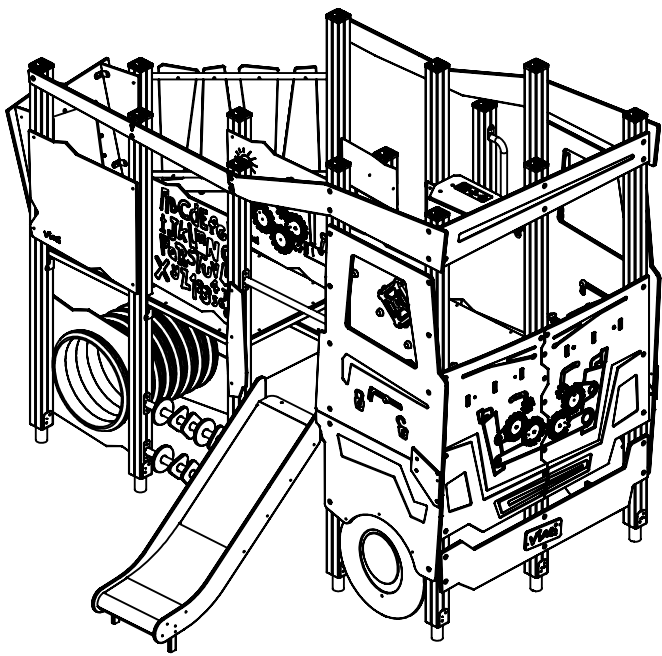


WD1550



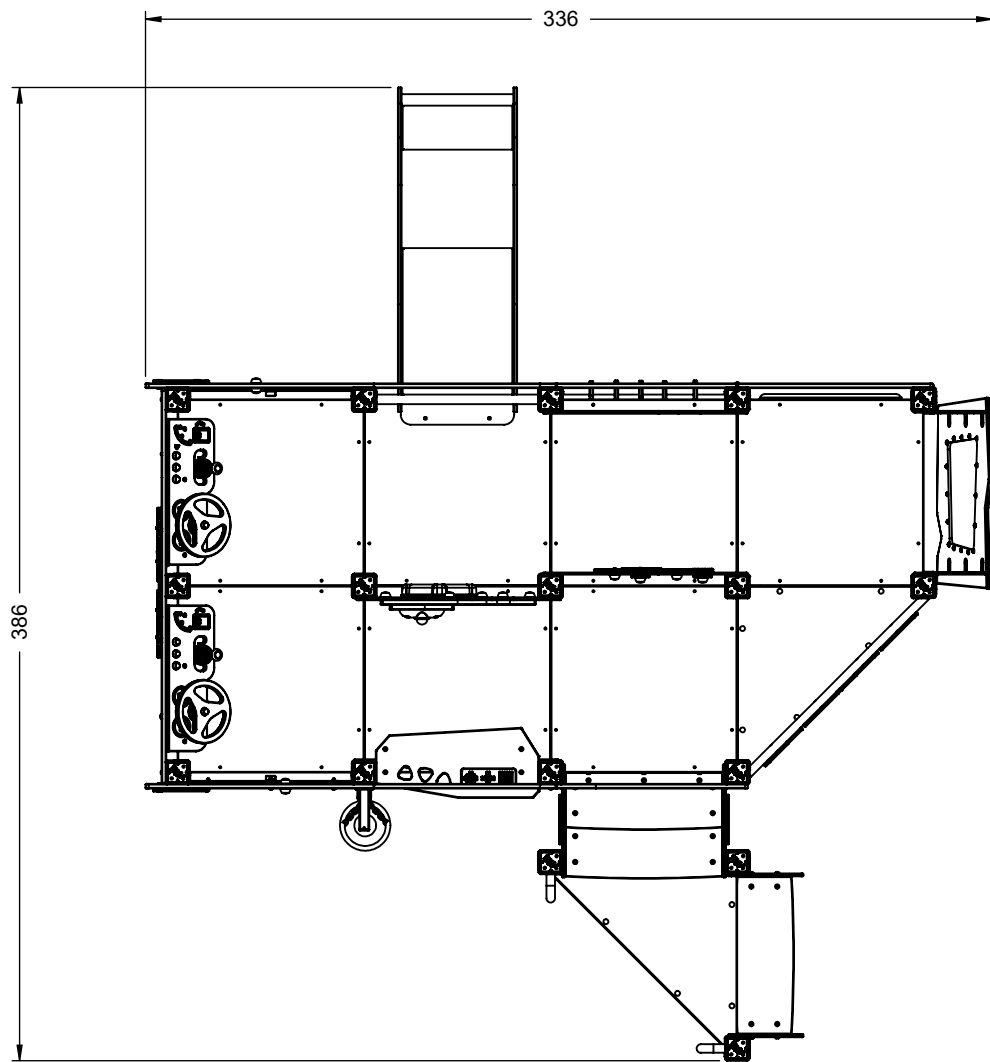
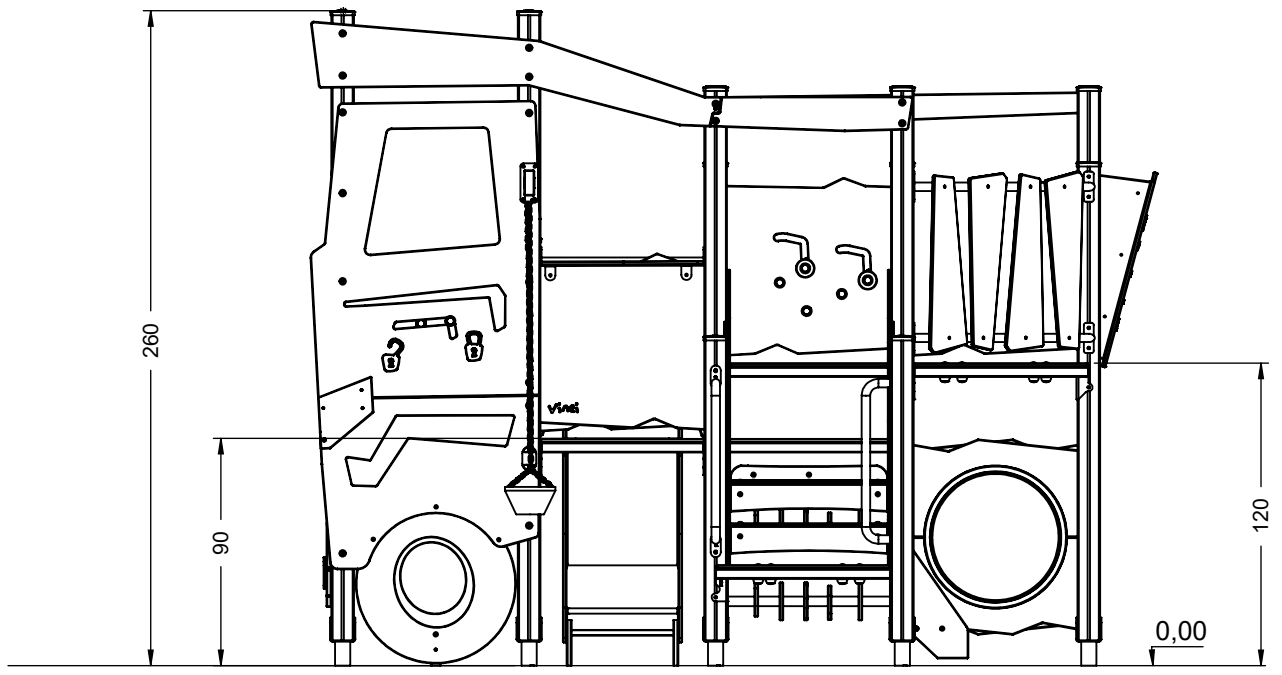
v014
21.10.2021
B. K.
[cm]

vinci
play



[cm]

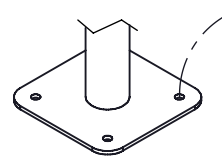
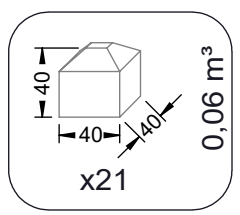
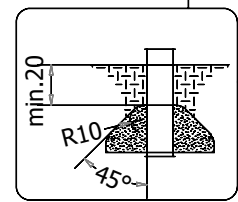
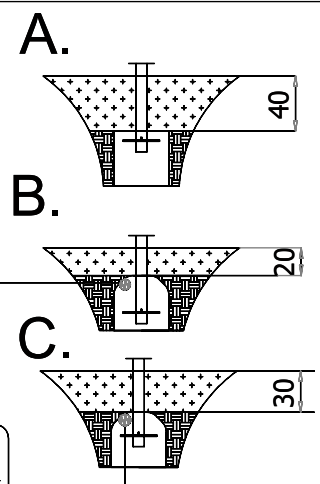
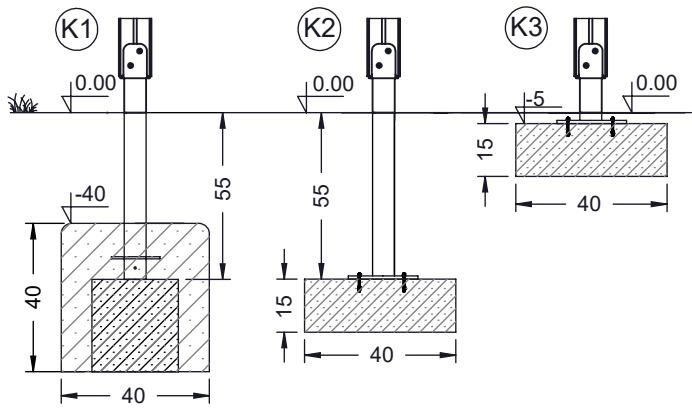
vinci
play



[cm]

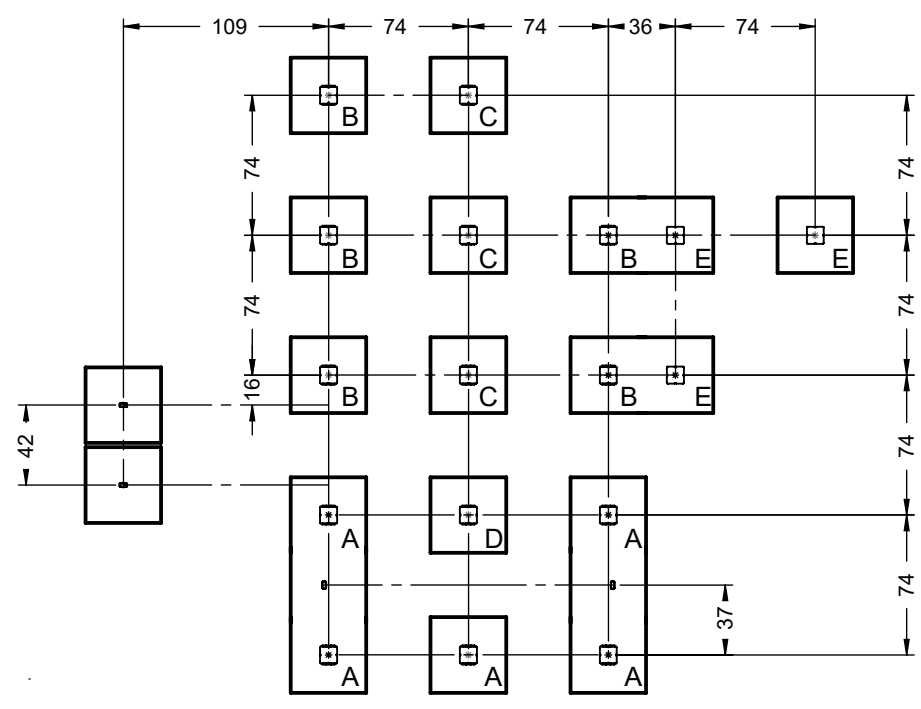


vinci
play



68x M10x120 (K2)	
70x M10x120 (K3)	
NOT INCLUDED	

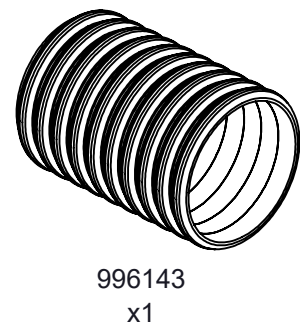
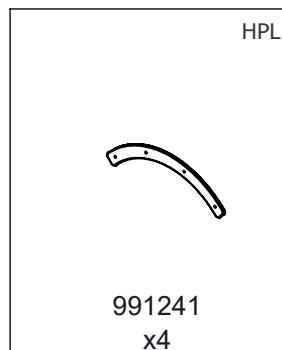
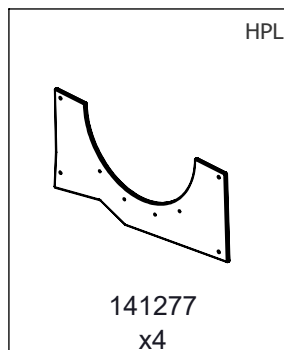
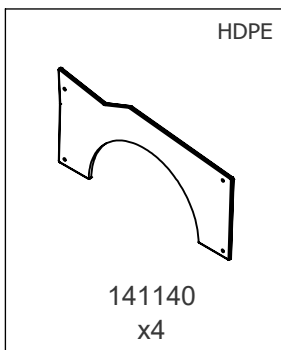
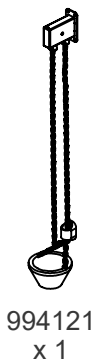
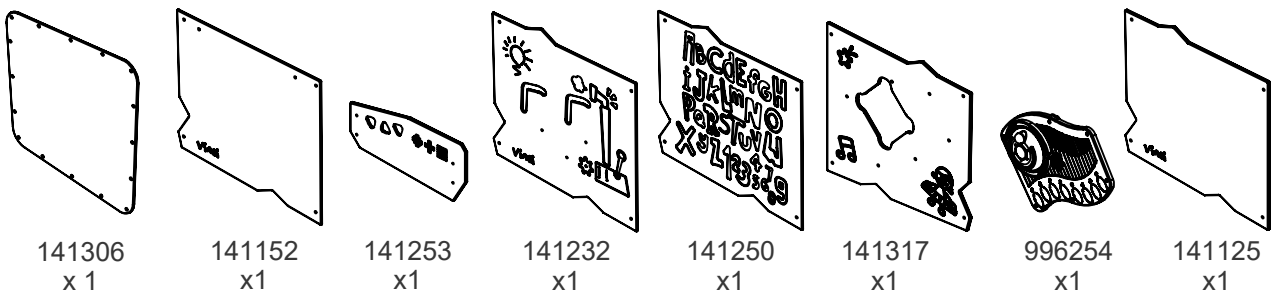
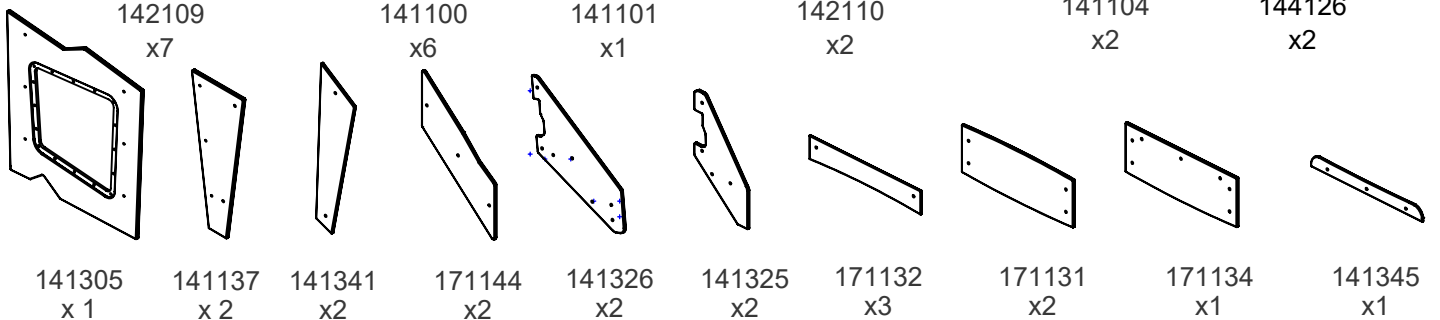
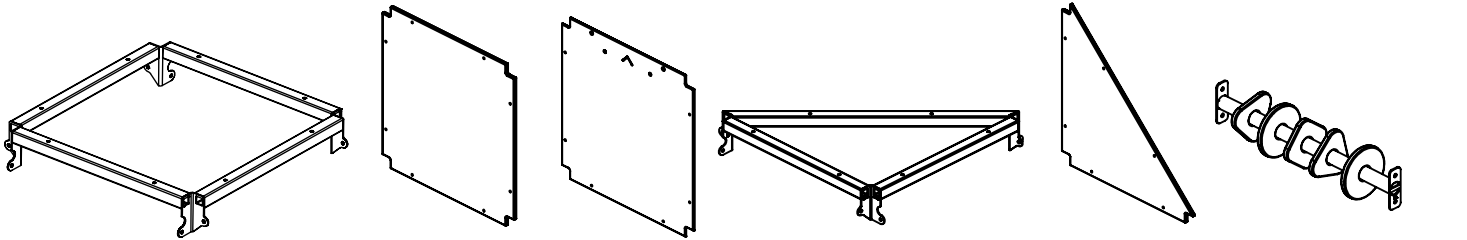
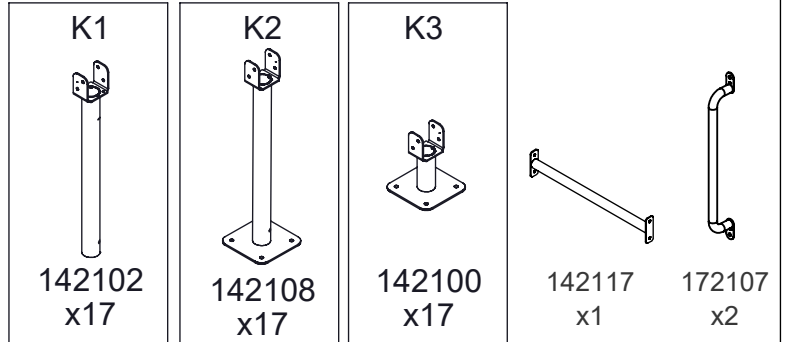
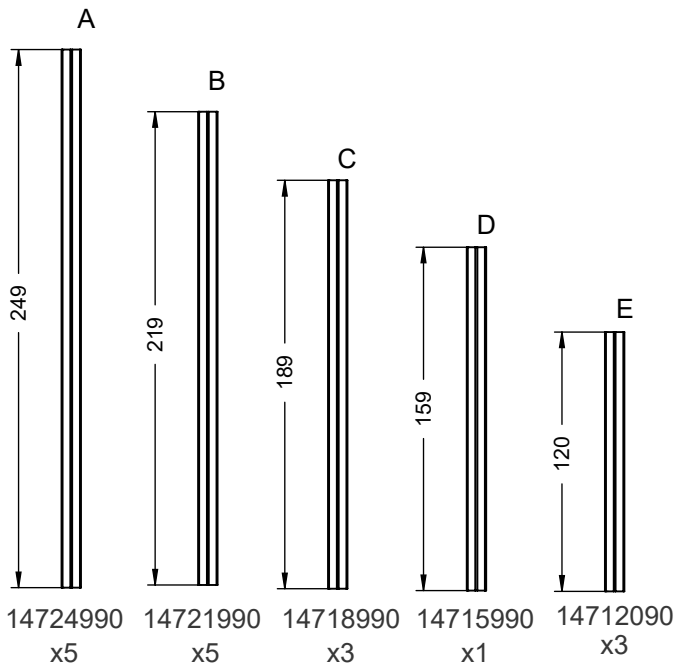
2x M8x120 (K2)	
NOT INCLUDED	

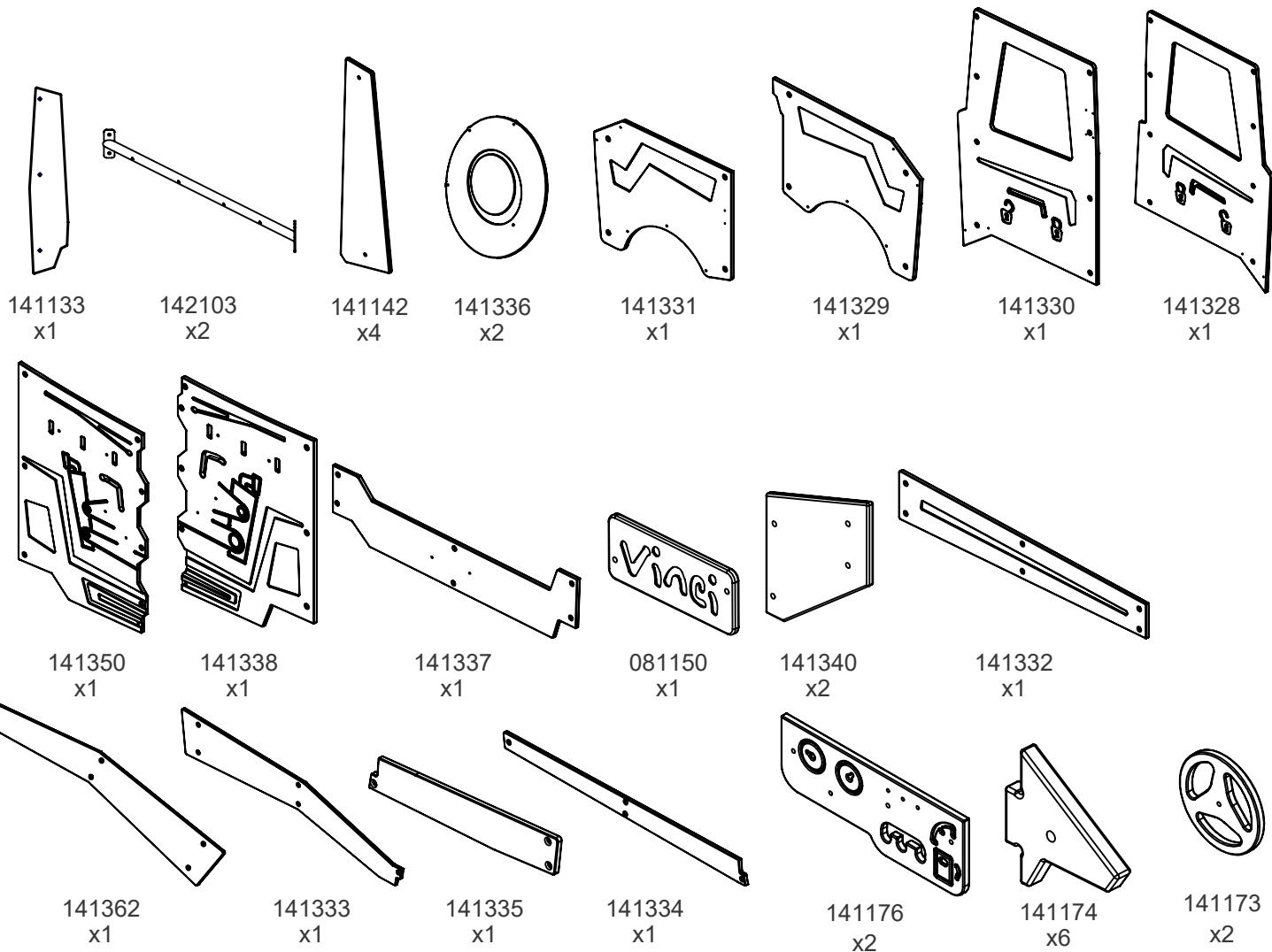


[cm]

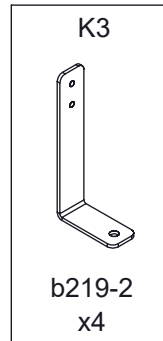
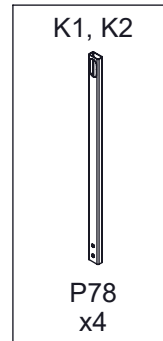
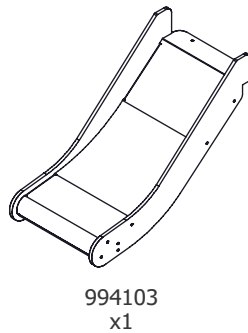
	9,5h			48h		0,06 m³		K2/K3	>0,02m³
--	------	--	--	-----	--	---------	--	-------	---------

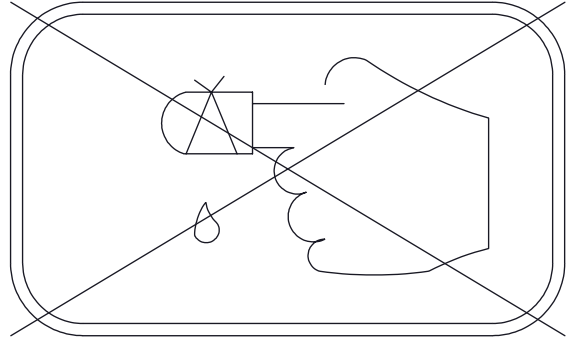
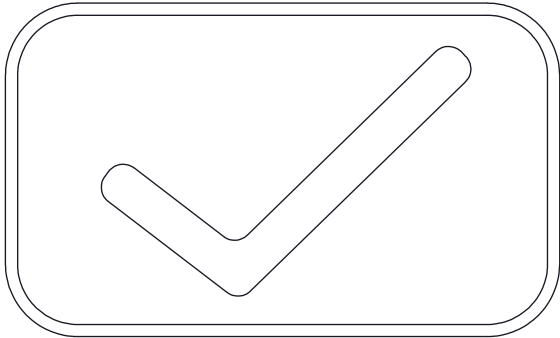
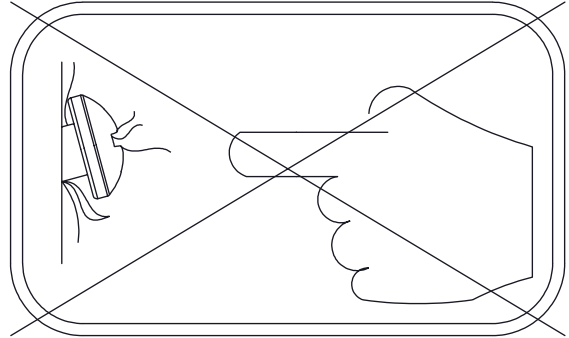
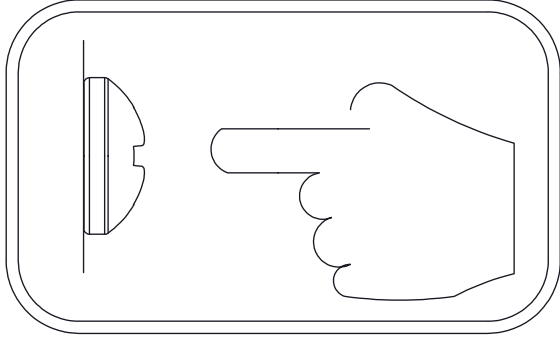
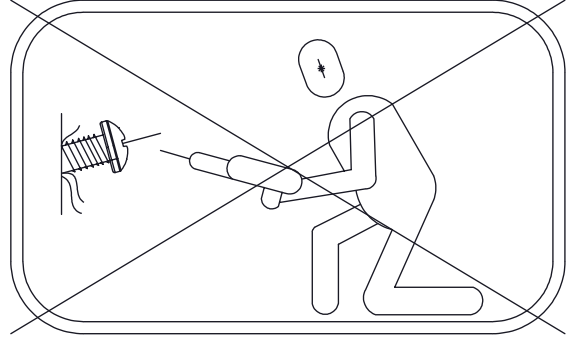
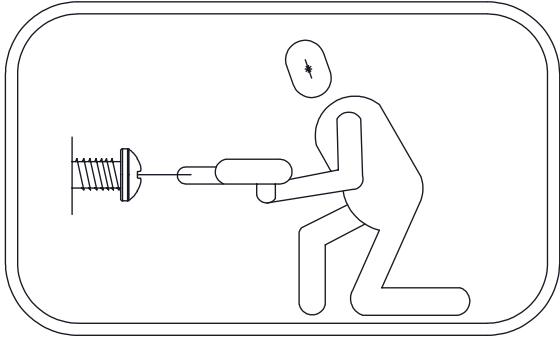
vinci play

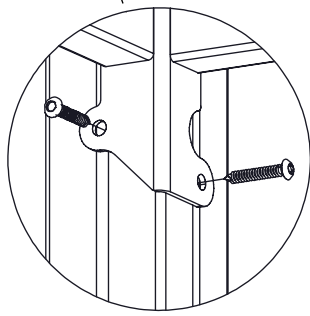
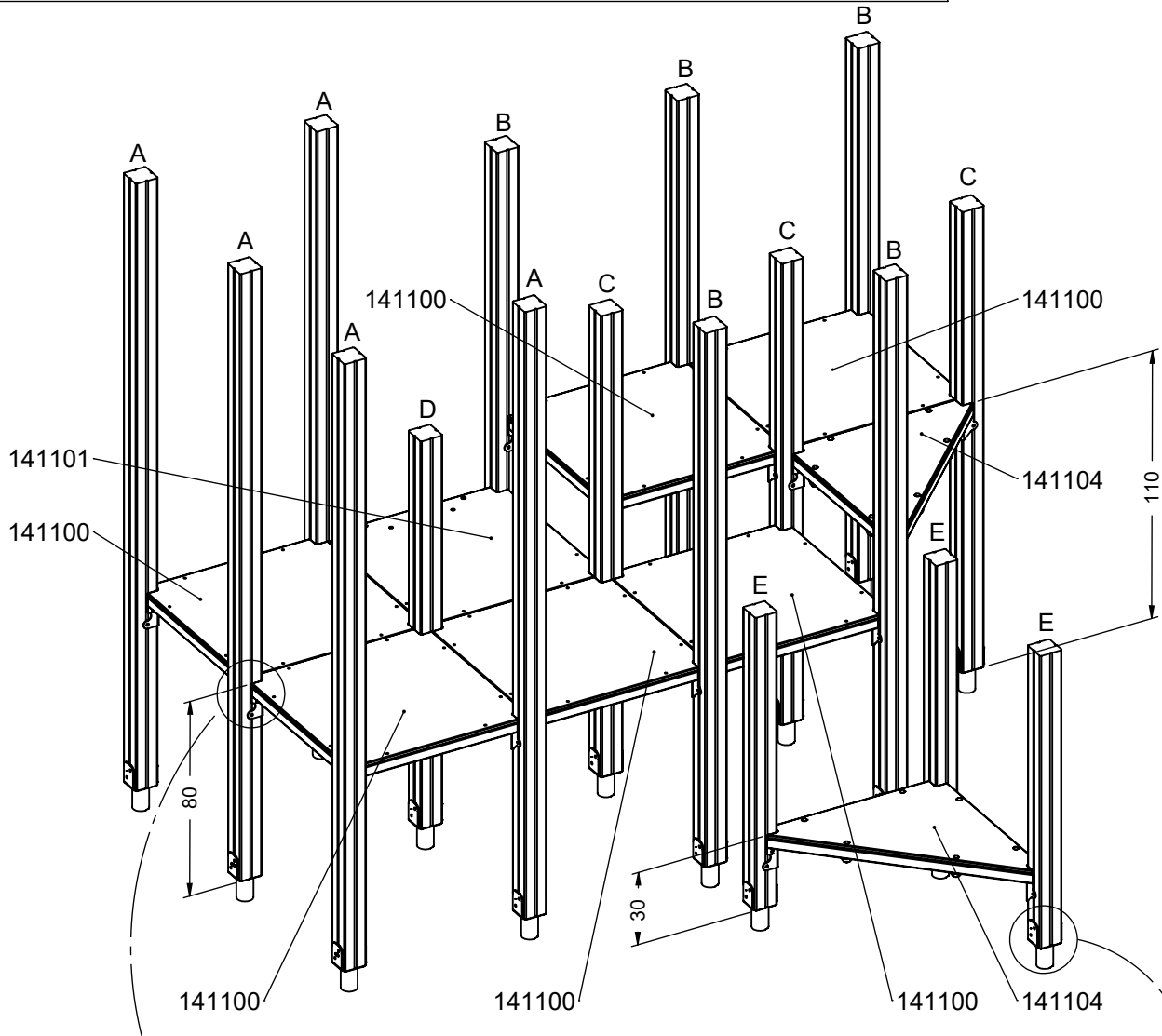
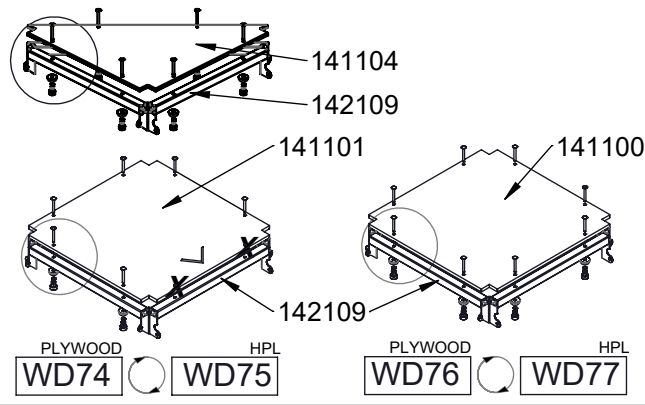
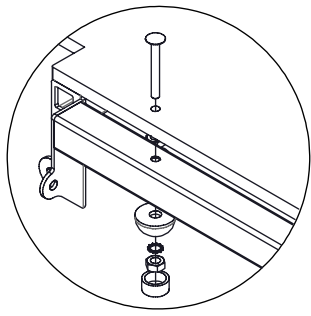




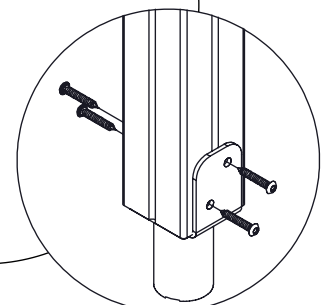
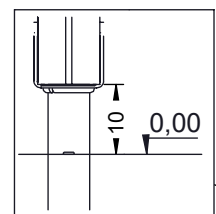
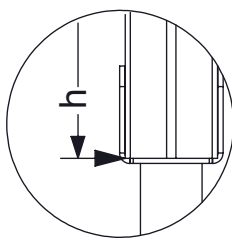
		PLYWOOD / HDPE		HPL	
292x	8x50 sxi	1x	WD28 _(s1)	1x	WD29 _(s1)
2x	6x50 sxs	1x	WD113 _(s6)	1x	WD114 _(s6)
1x	E34 _(K1,K3)	3x	WD74	3x	WD75
1x	E35 _(K2)	6x	WD76	6x	WD77
17x	WD1	1x	WD132	1x	WD133
2x	WD105	1x	WE128	1x	WL128
3x	WD97	1x	WD106	1x	WD107
2x	WD100	1x	WD108	1x	WD109
1x	WD103	2x	WD177	2x	WD178
1x	WD91	2x	WD173	2x	WD174
1x	WD2	1x	WD175	1x	WD176
2x	WD184			2x	E130
2x	WD186	2x	WD179	2x	WD180
1x	V001	1x	WD19	1x	WD20
2x	WD221	1x	WD155	1x	WD156
2x	WD222	2x	WD187	2x	WD188
2x	WD223	1x	E67 _(K2)	1x	E67 _(K2)
		1x	WD193	1x	WD194
		2x	WD189	2x	WD190
		1x	WD192 _(K1,K2)	1x	WD191 _(K1,K2)







8x50 sxi

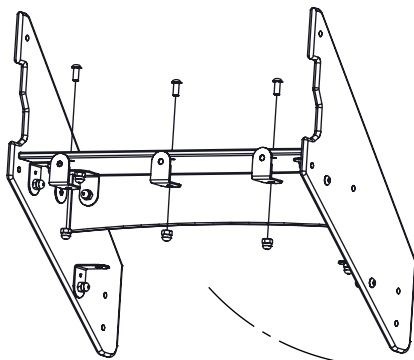
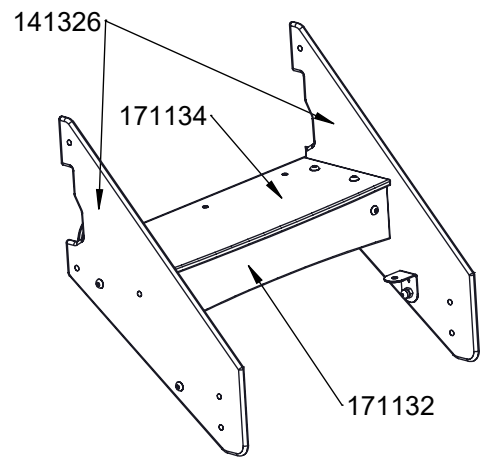
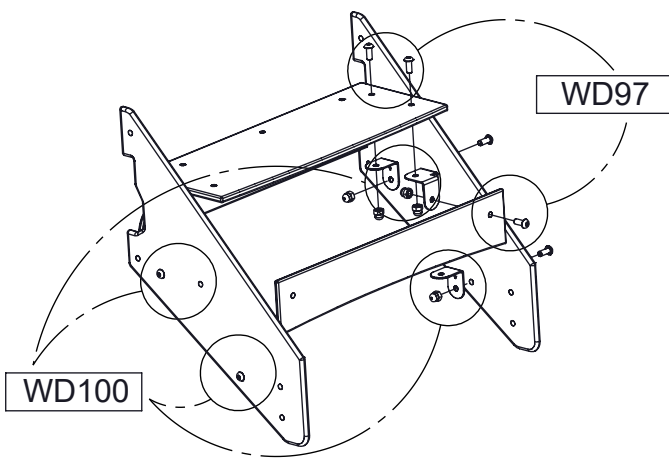
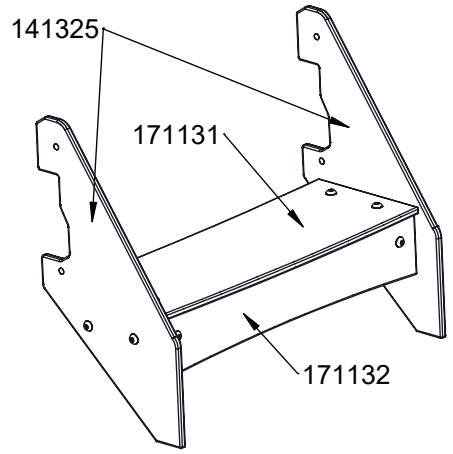
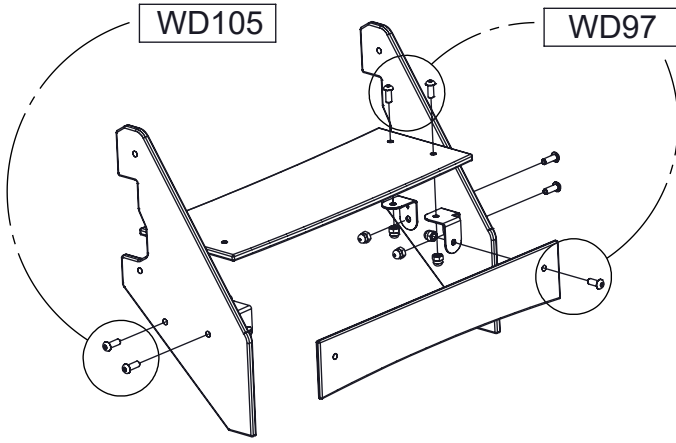


8x50 sxi

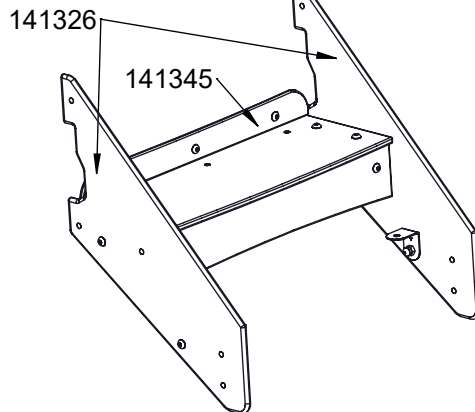
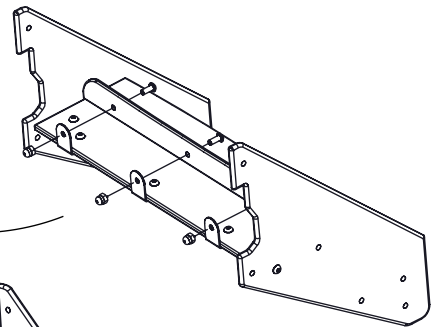
[cm]



vinci play



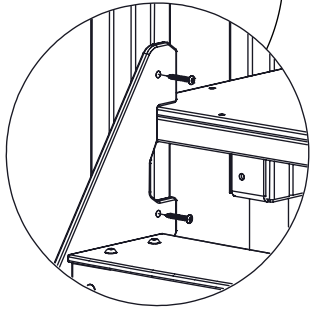
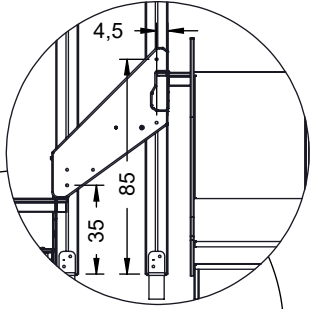
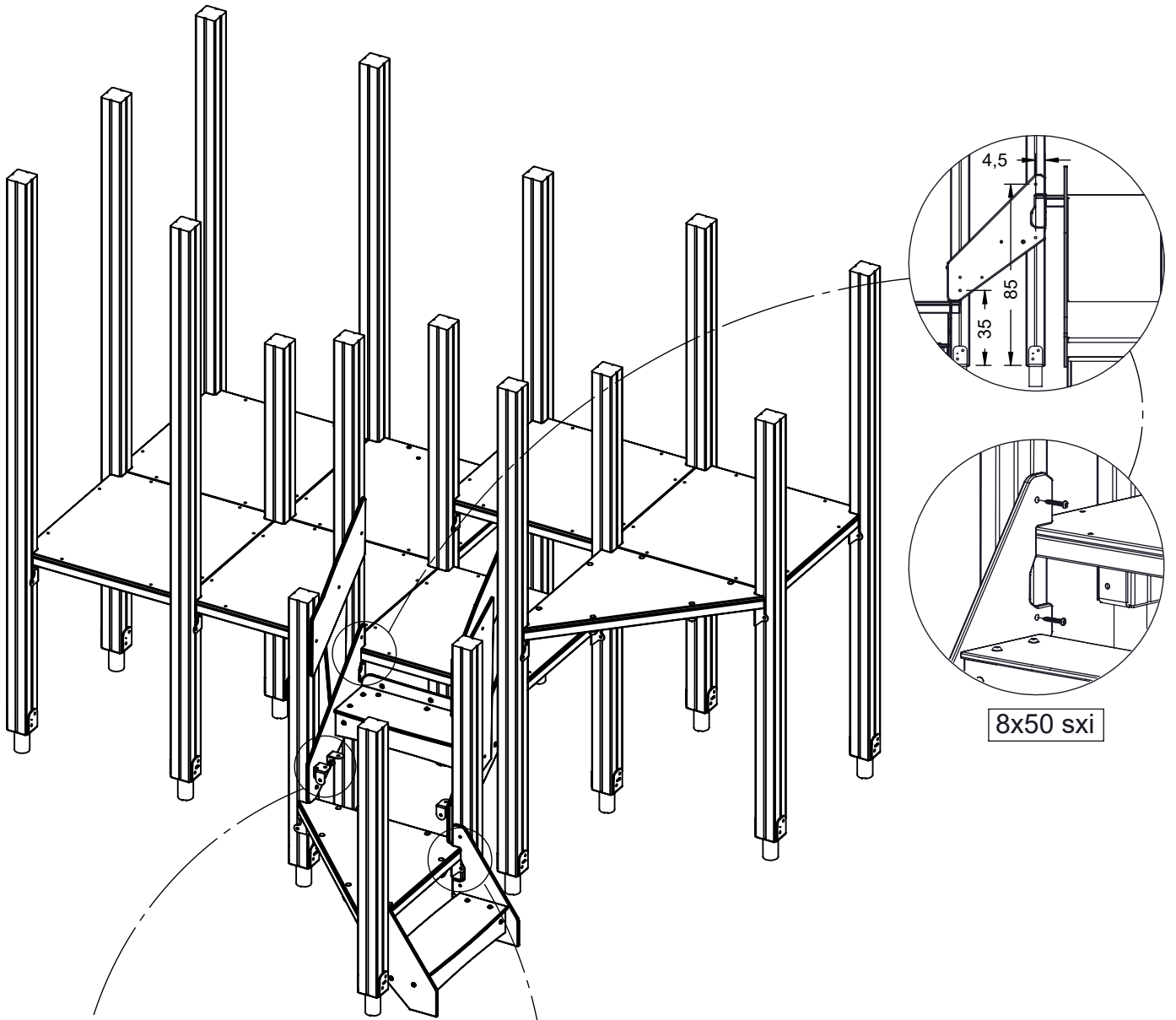
WD103



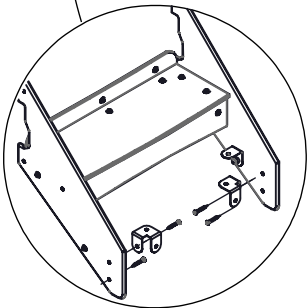
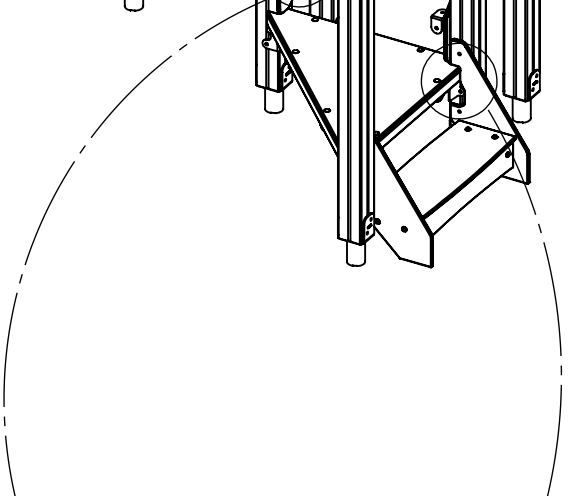
[cm]



vinci
play

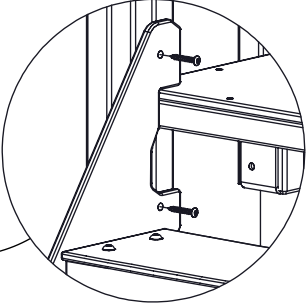
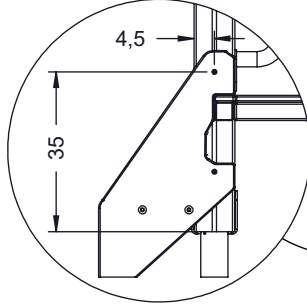


8x50 sxi

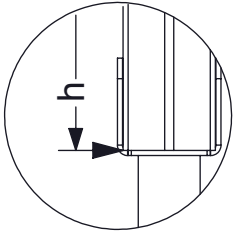


8x50 sxi

WD91



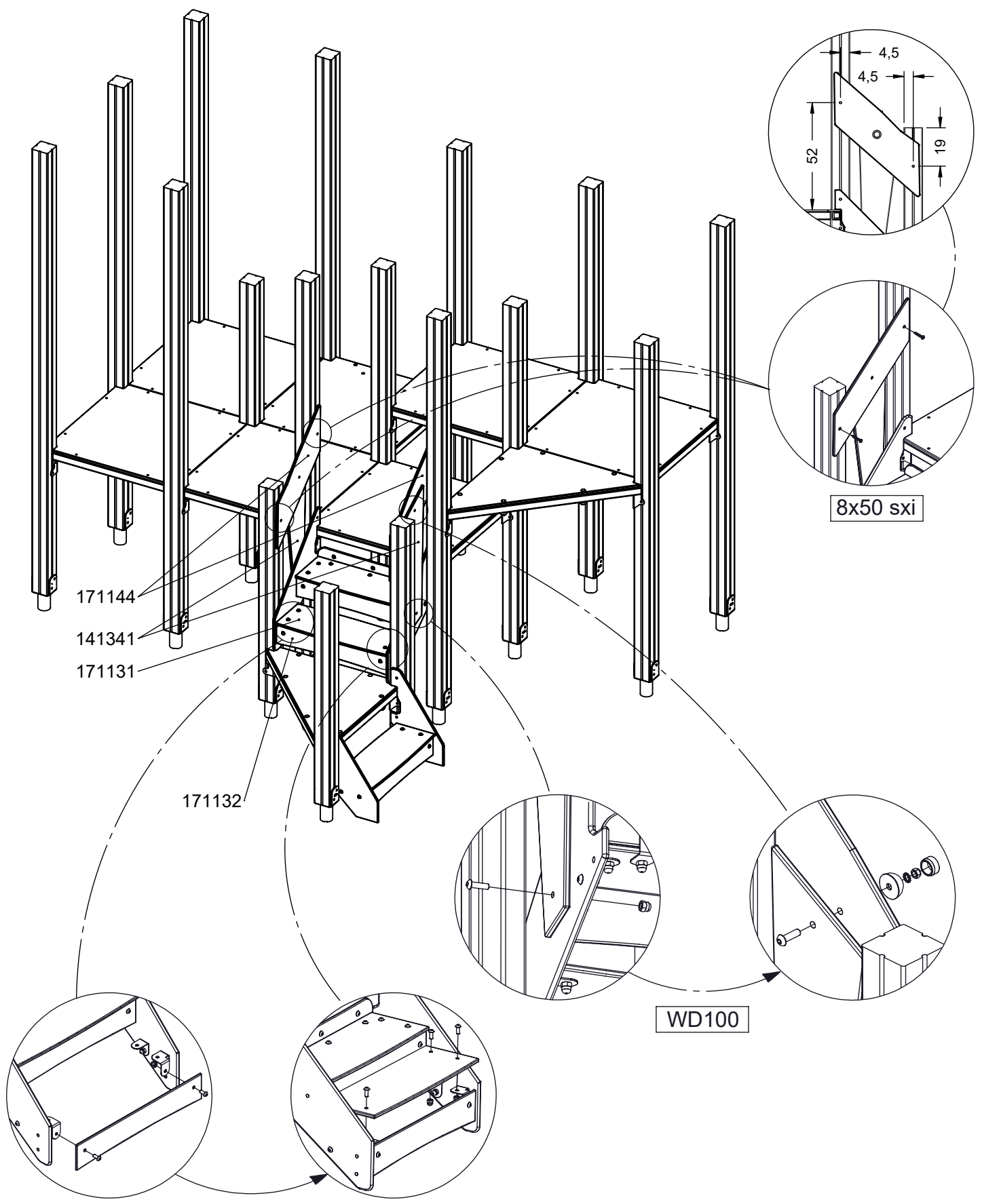
8x50 sxi



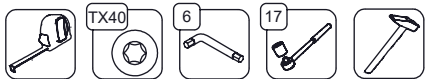
[cm]



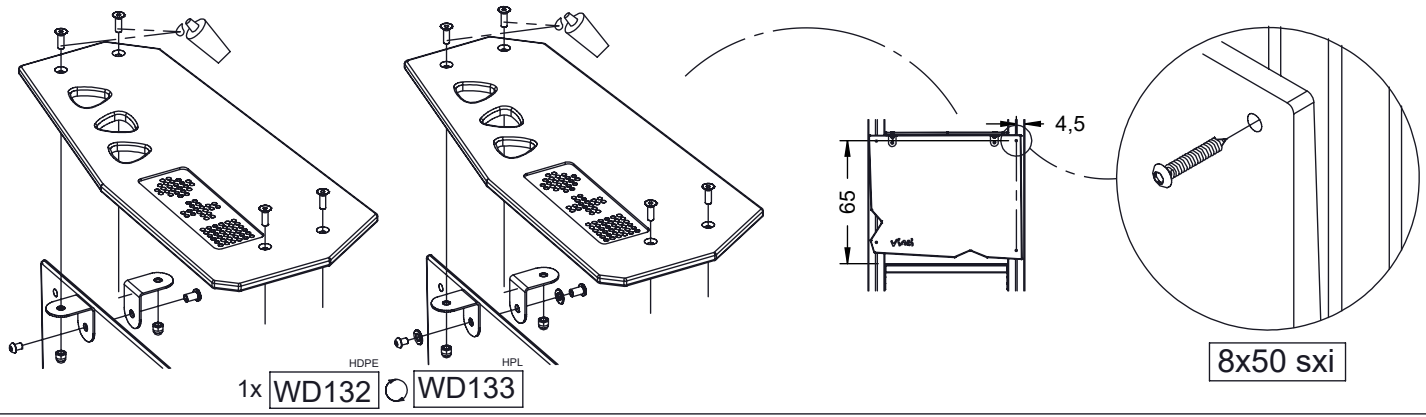
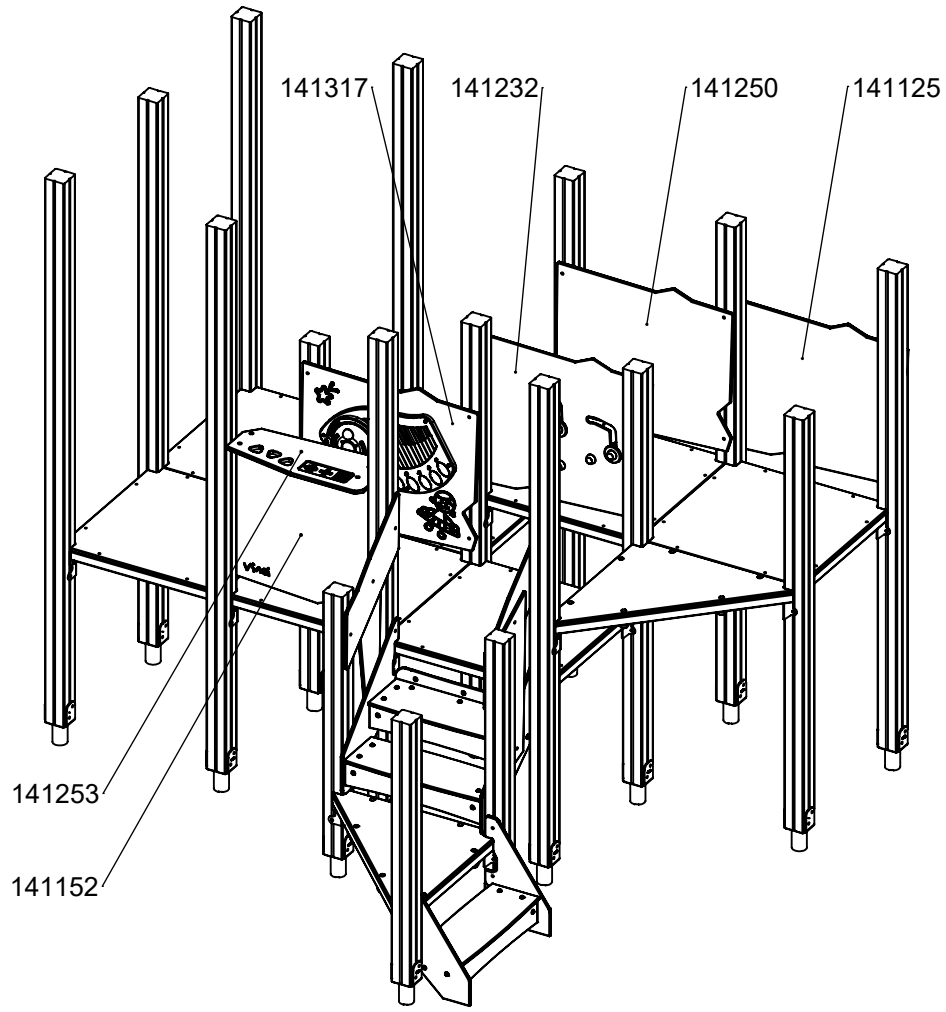
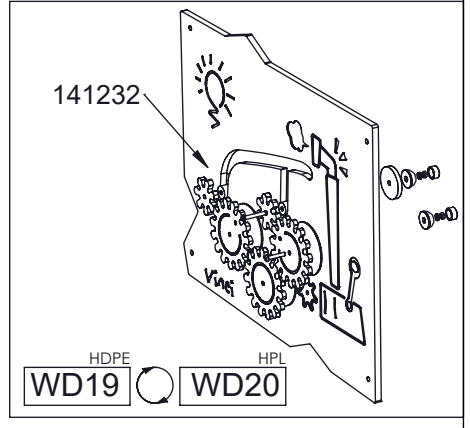
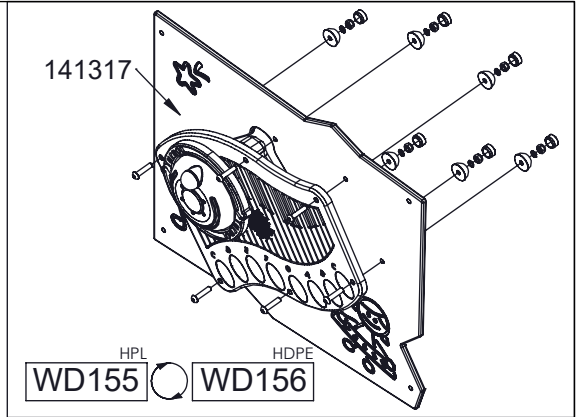
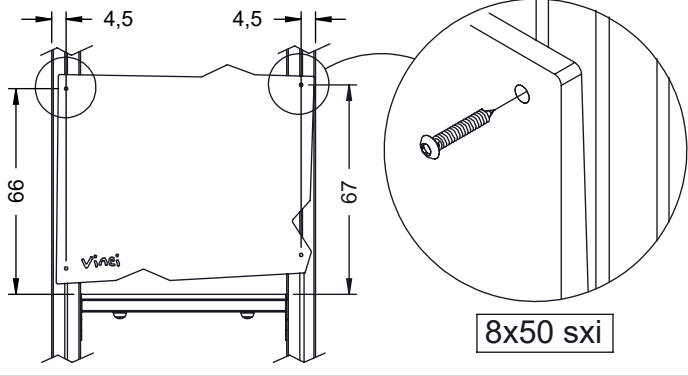
vinci
play



[cm]



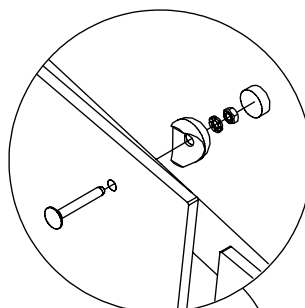
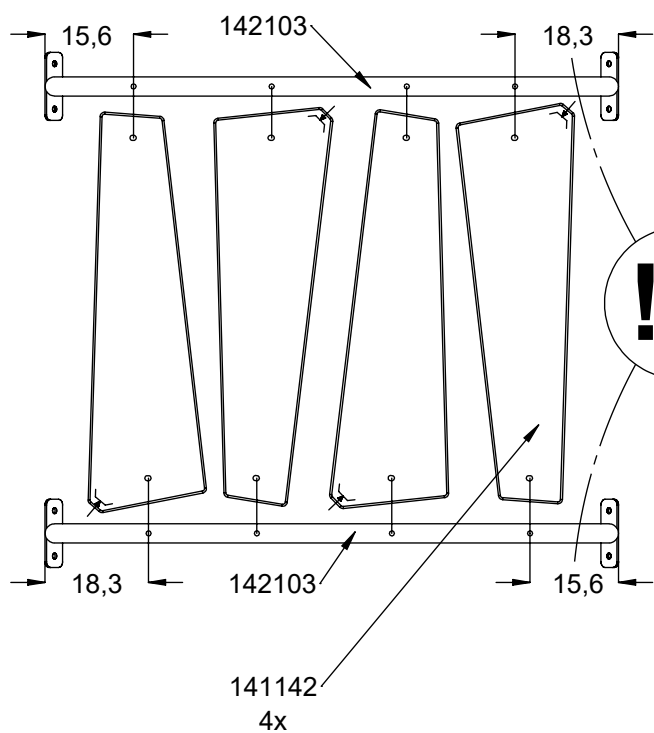
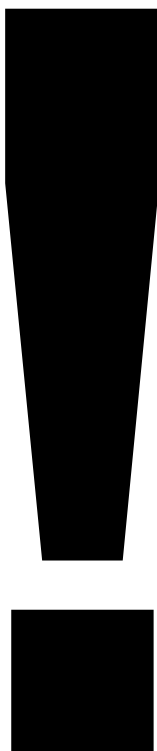
vinci
play



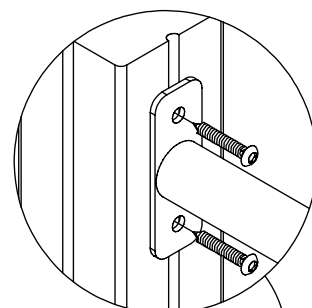
[cm]



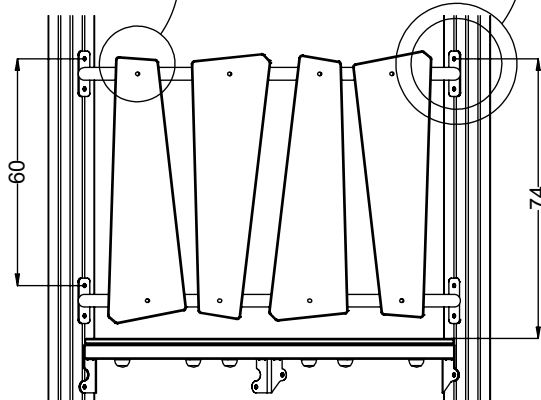
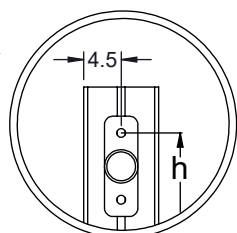
vinci play



WD2



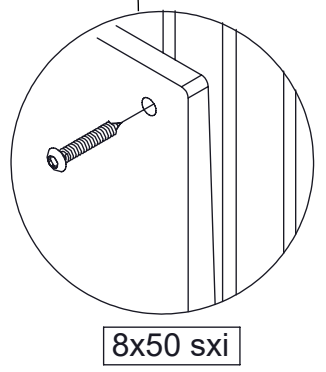
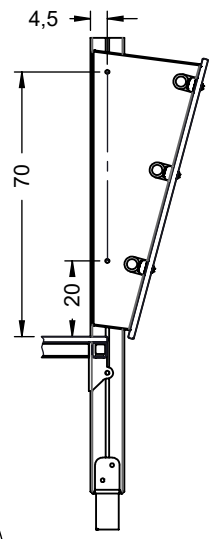
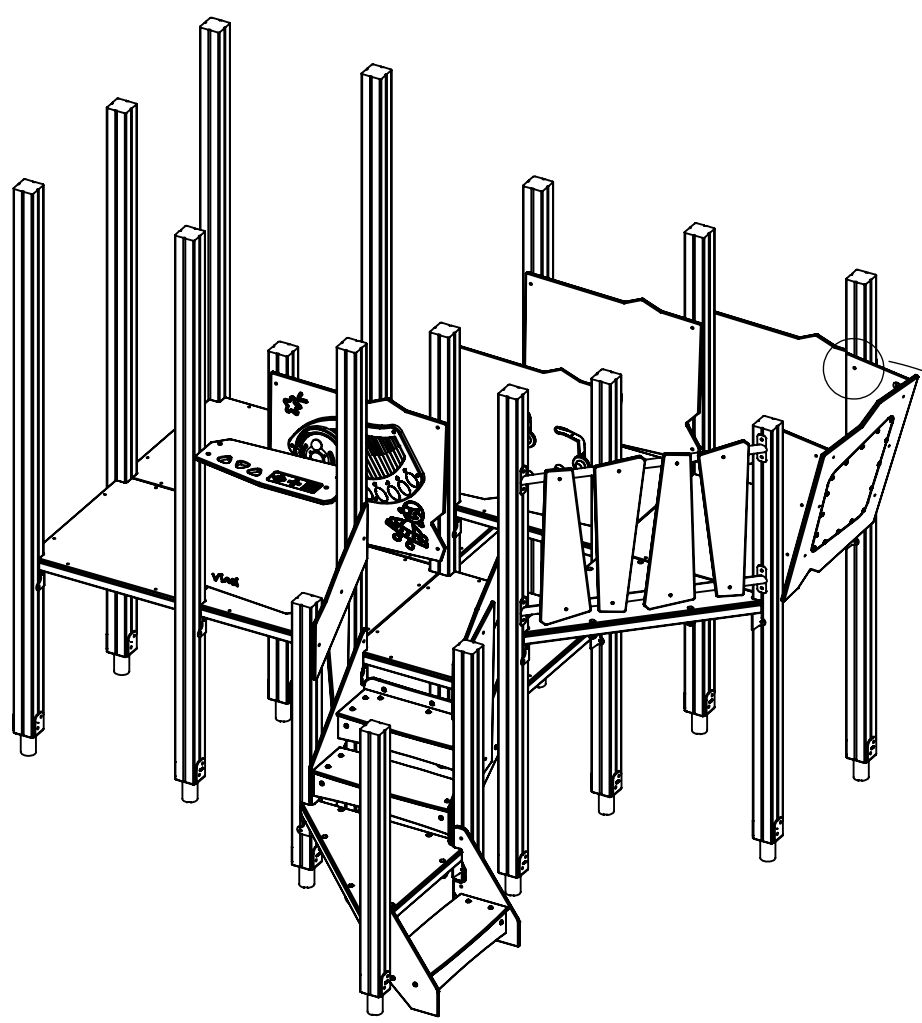
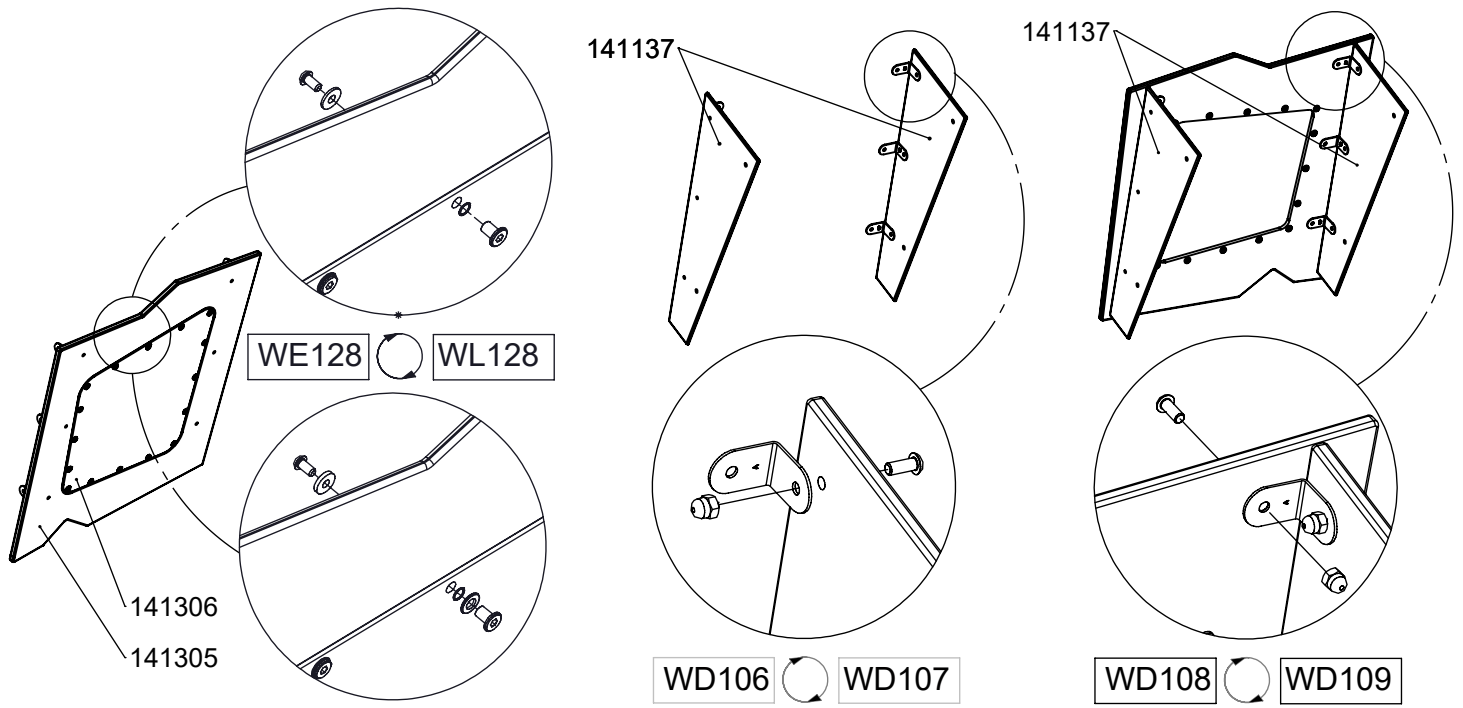
8x50 sxi



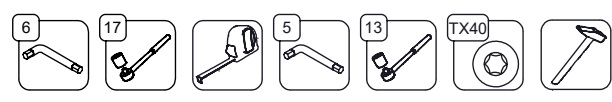
[cm]



vinci
play

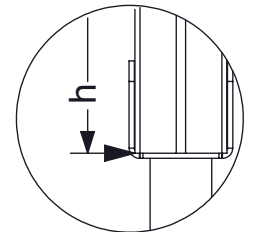
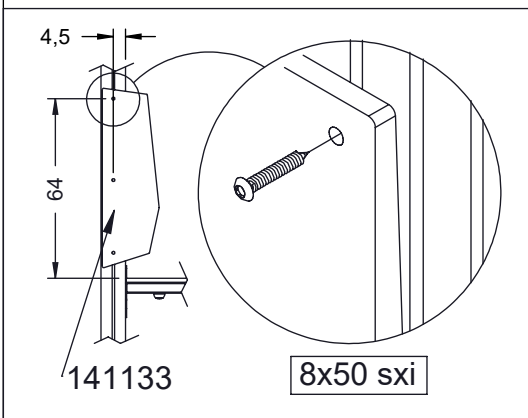
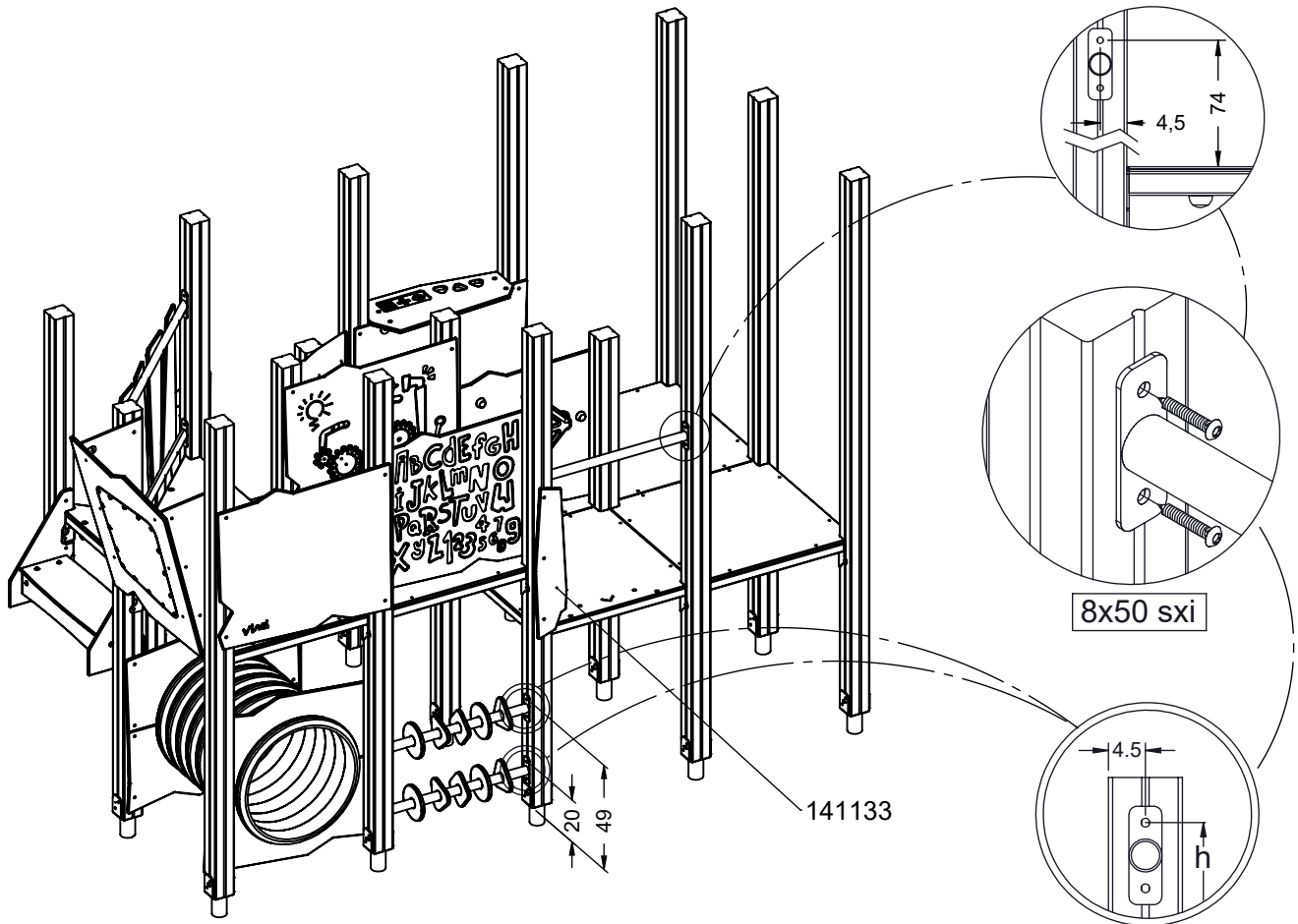
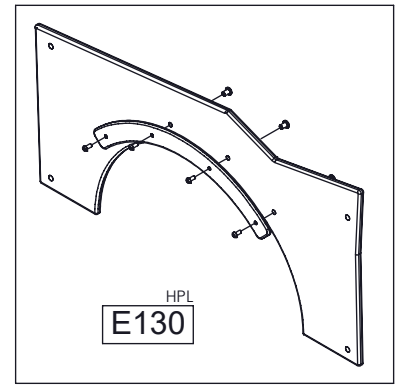
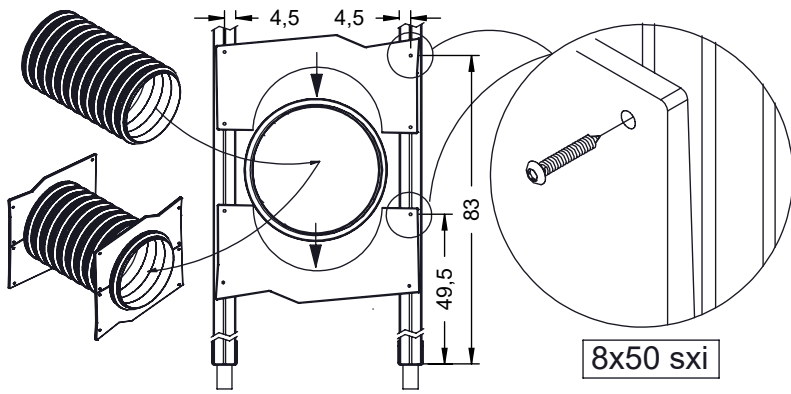


8x50 sxi

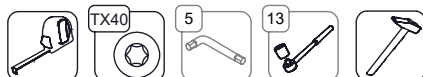


[cm]

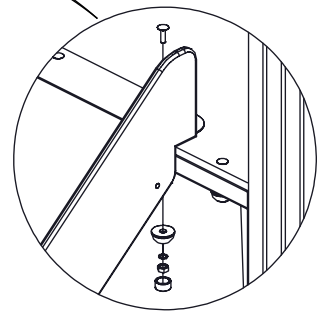
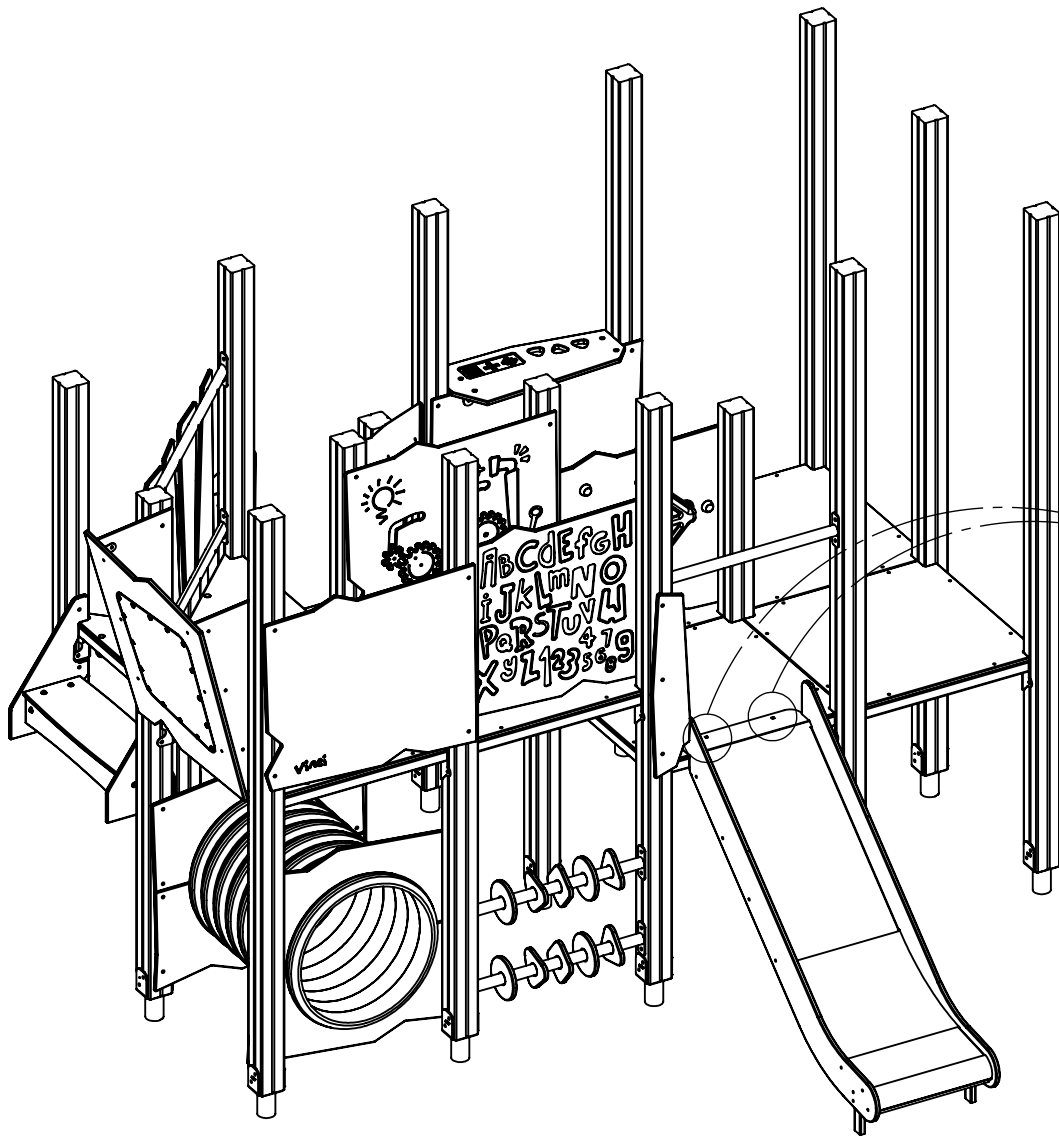
vinci
play



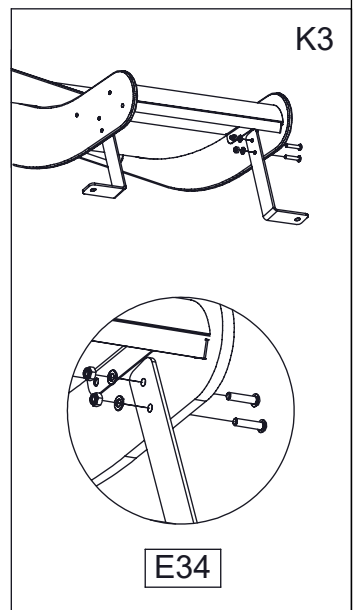
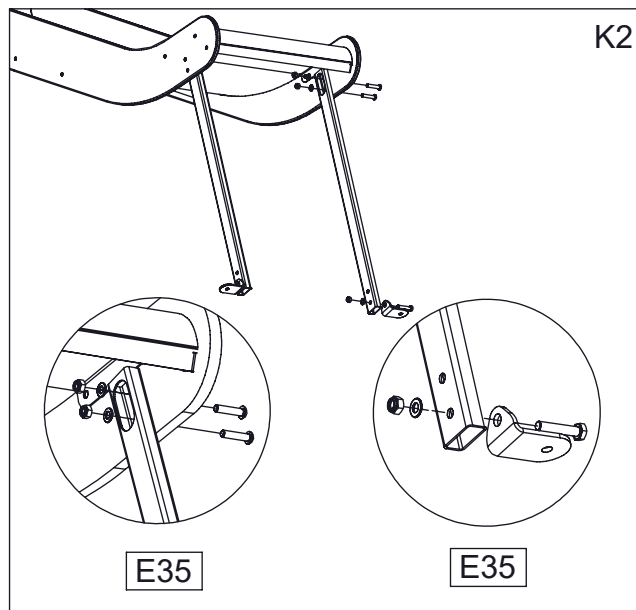
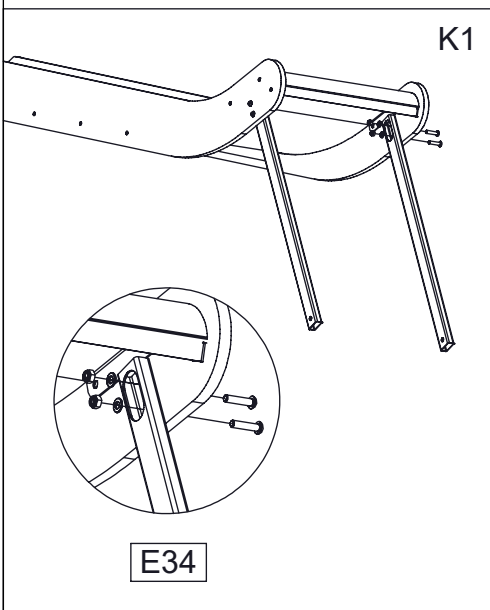
[cm]



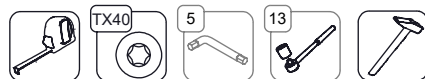
vinci
play



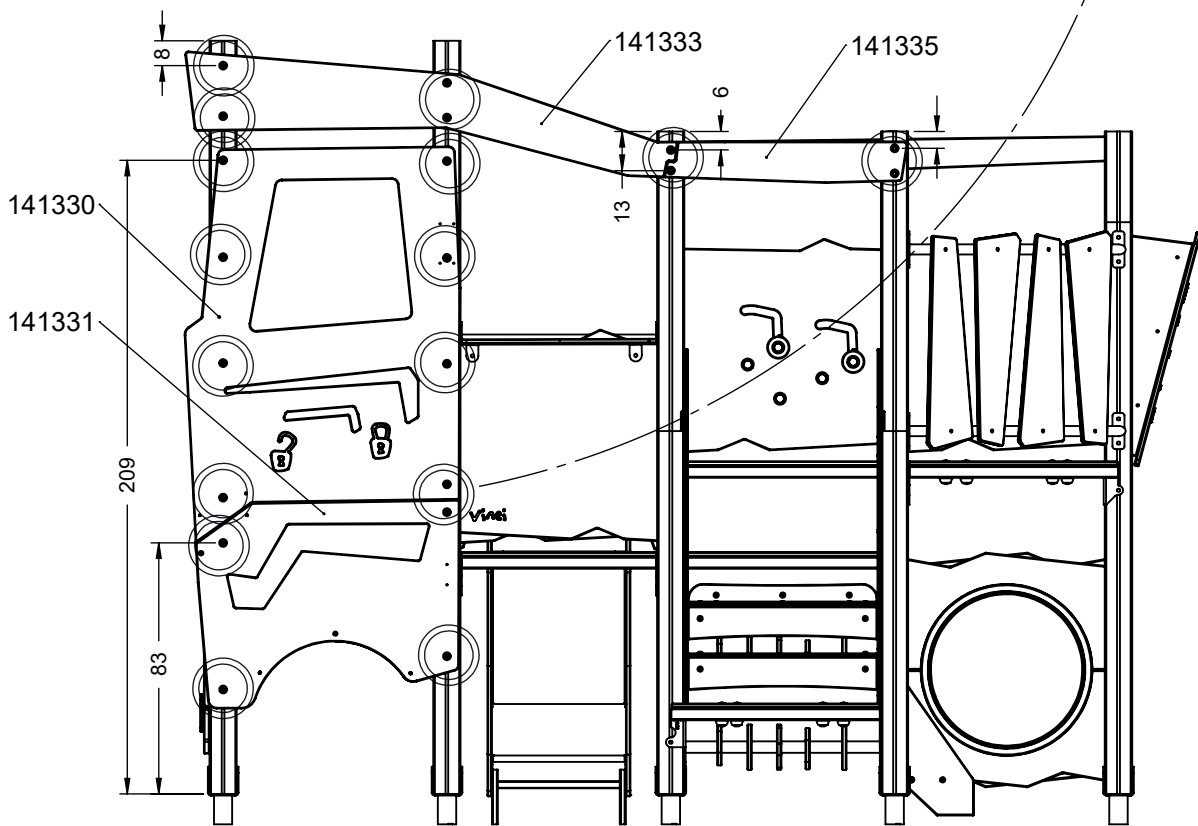
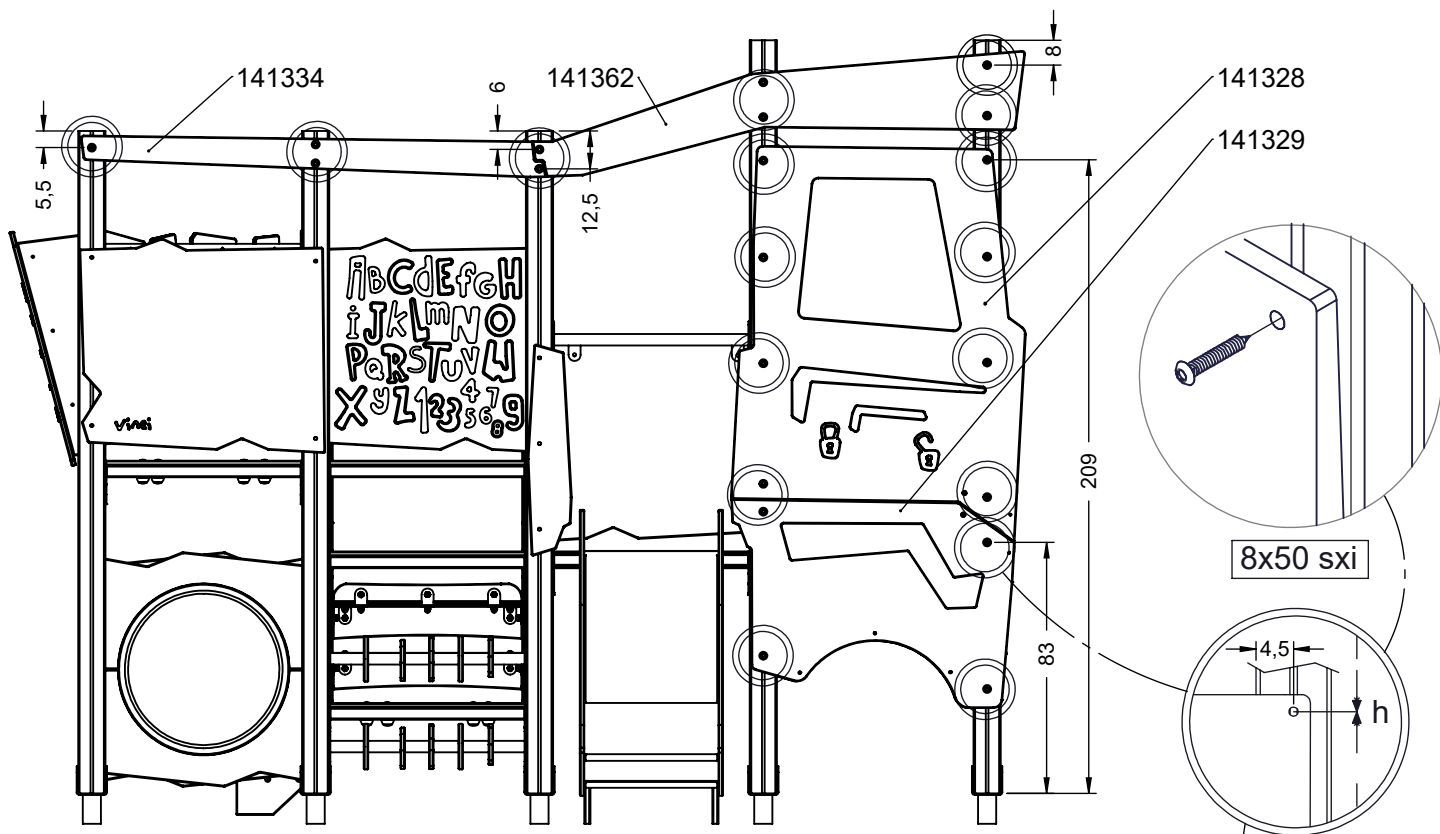
PLYWOOD		HPL
WD28	S1	WD29
PLYWOOD		HPL
WD113	S6	WD114



[cm]



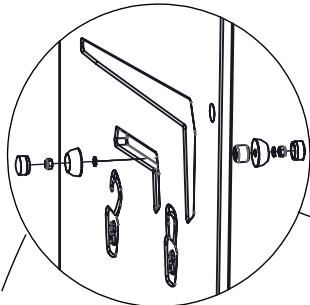
vinci
play



[cm]

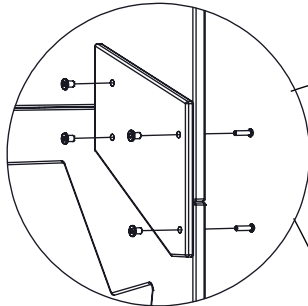


vinici
play



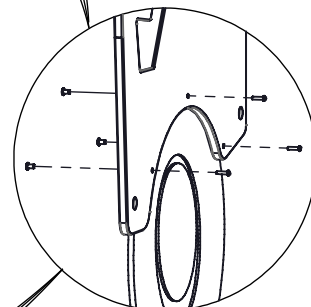
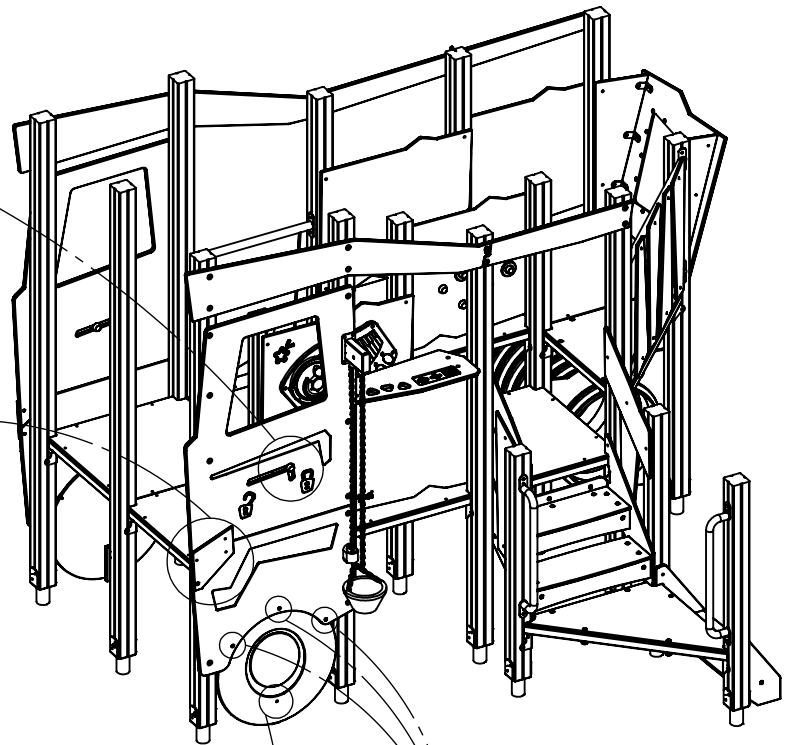
HDPE
WD178

HPL
WD177



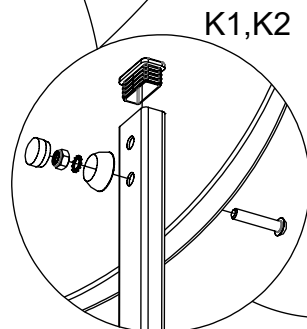
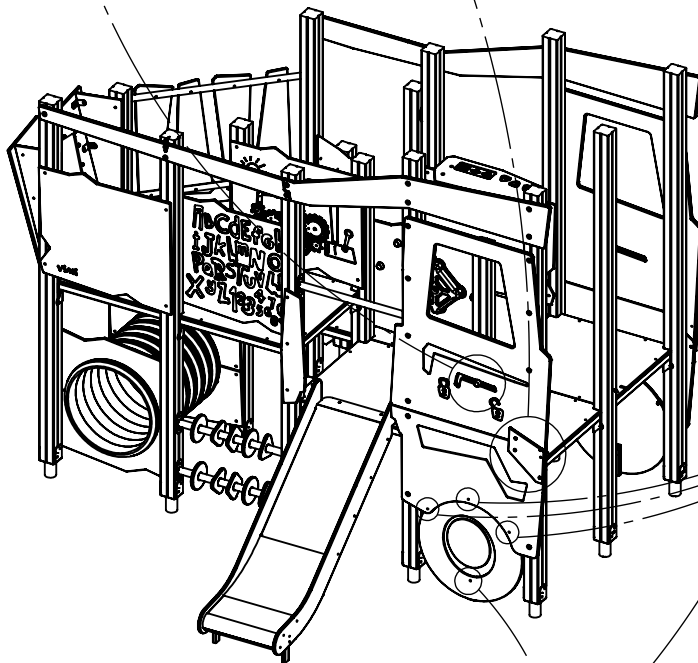
HDPE
WD188

HPL
WD187



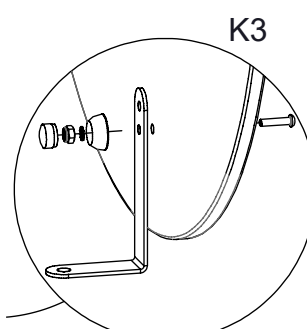
HDPE
WD180

HPL
WD179



HDPE
WD192

HPL
WD191



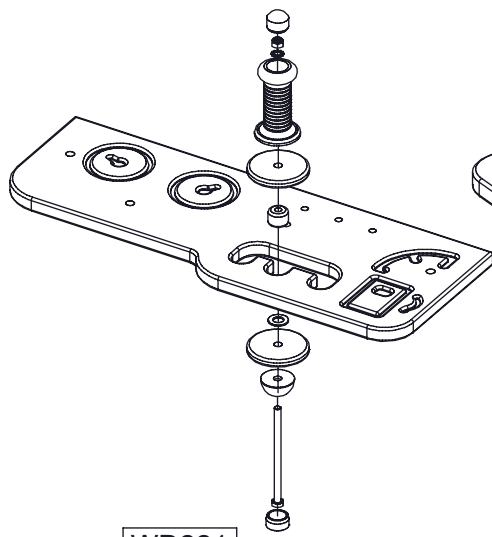
HDPE
WD194

HPL
WD193

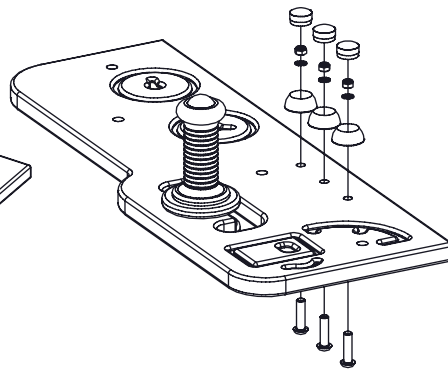


[cm]

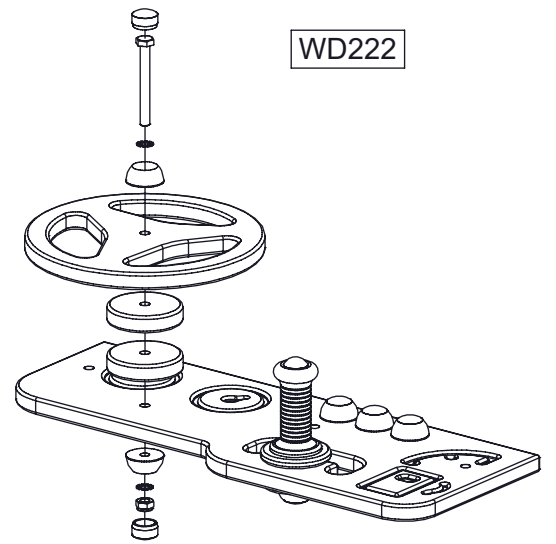
vinci
play



WD221

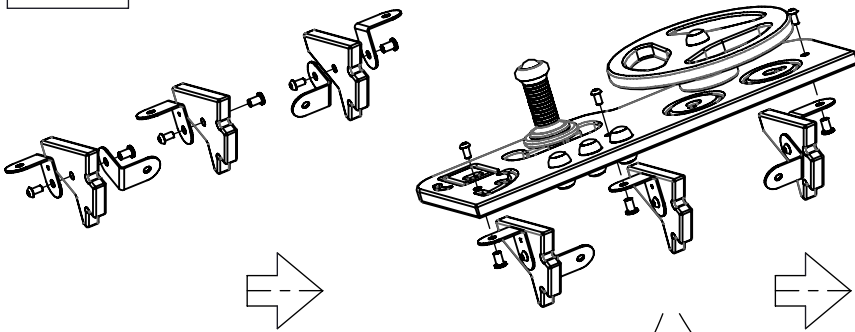


WD223

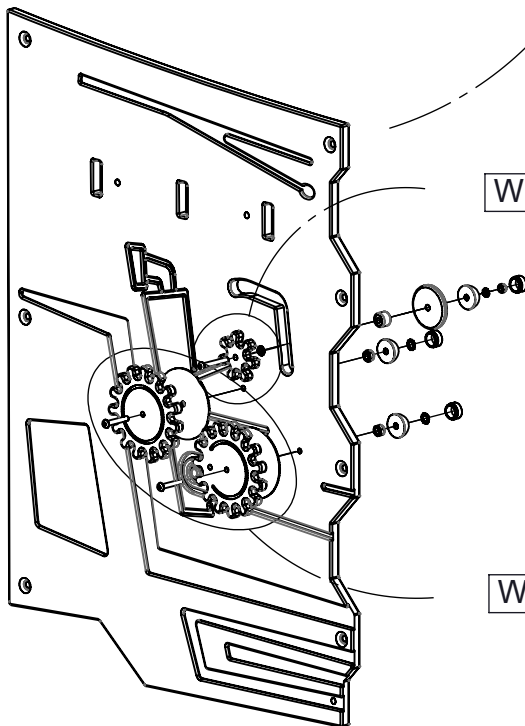
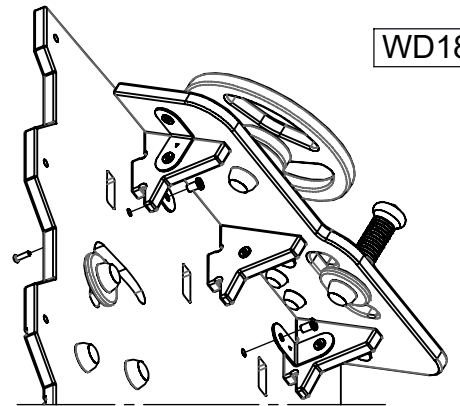


WD222

WD184

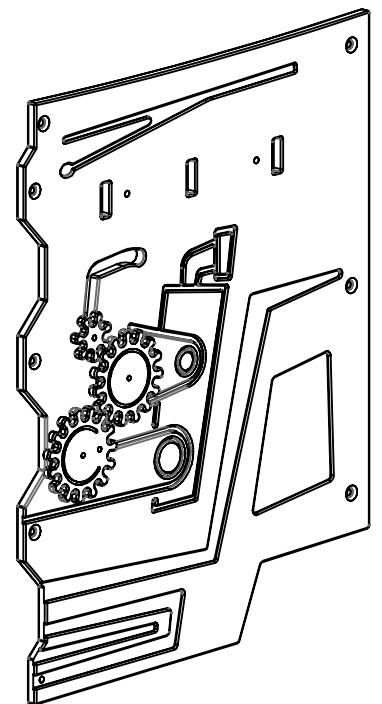


WD186



HDPE WD190 HPL WD189

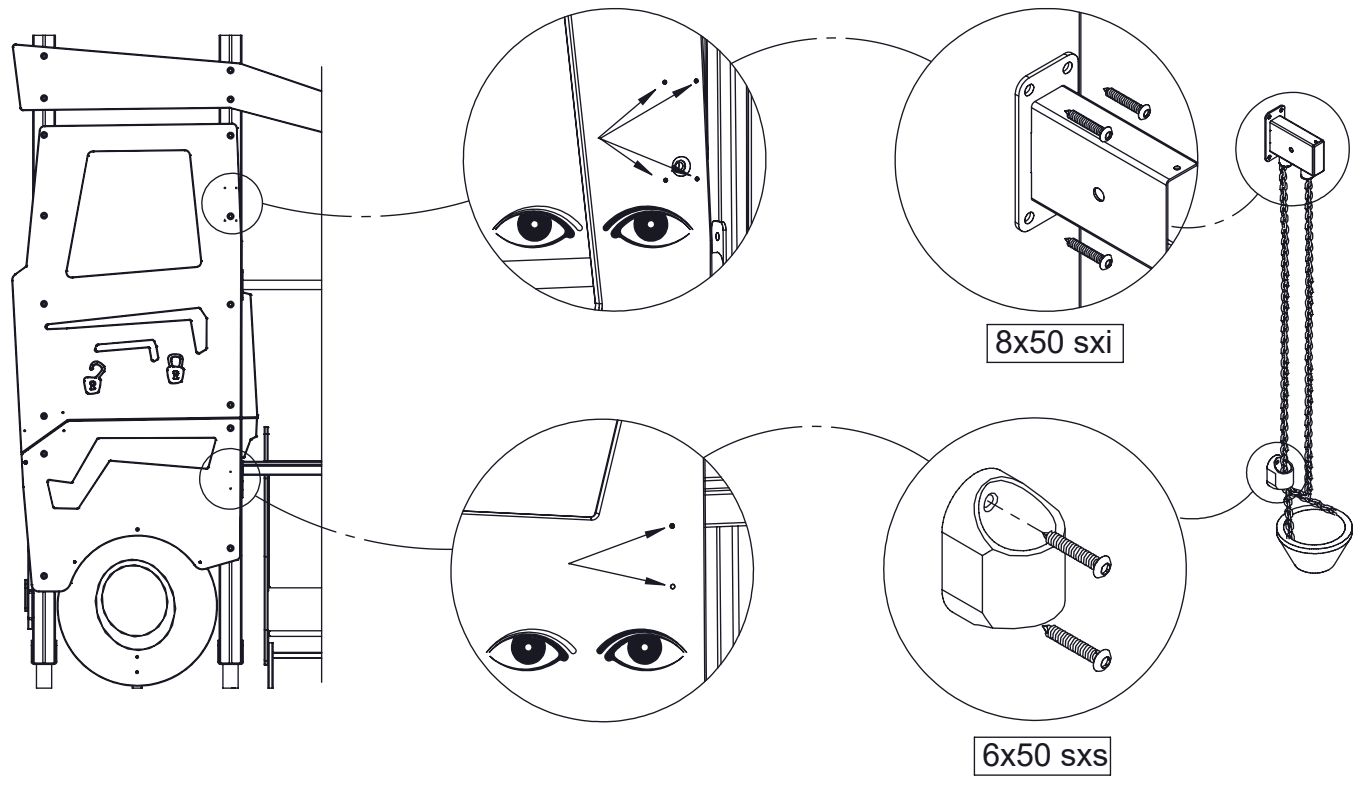
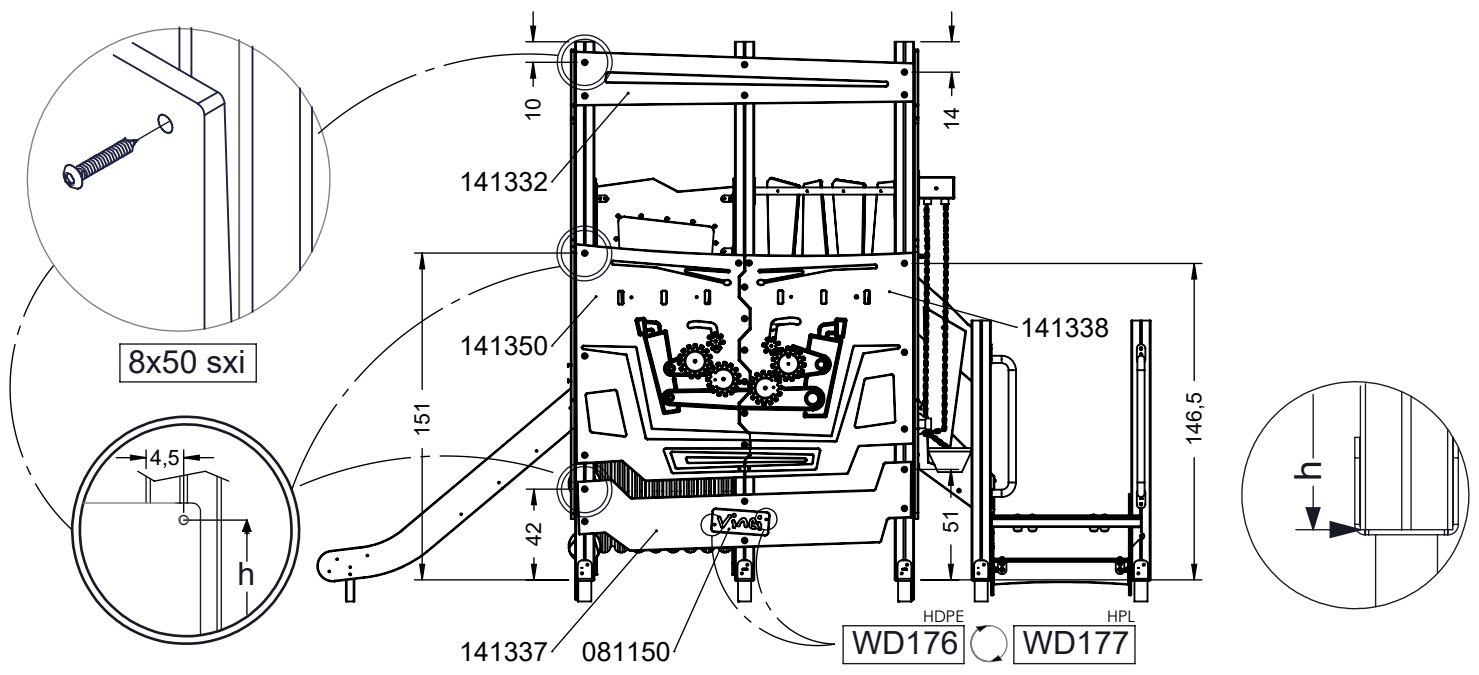
HDPE WD174 HPL WD173



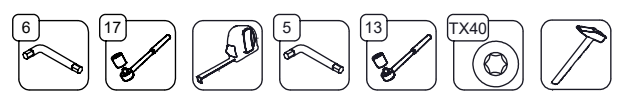
[cm]



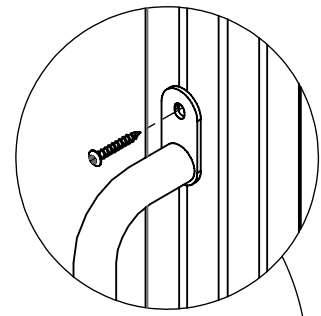
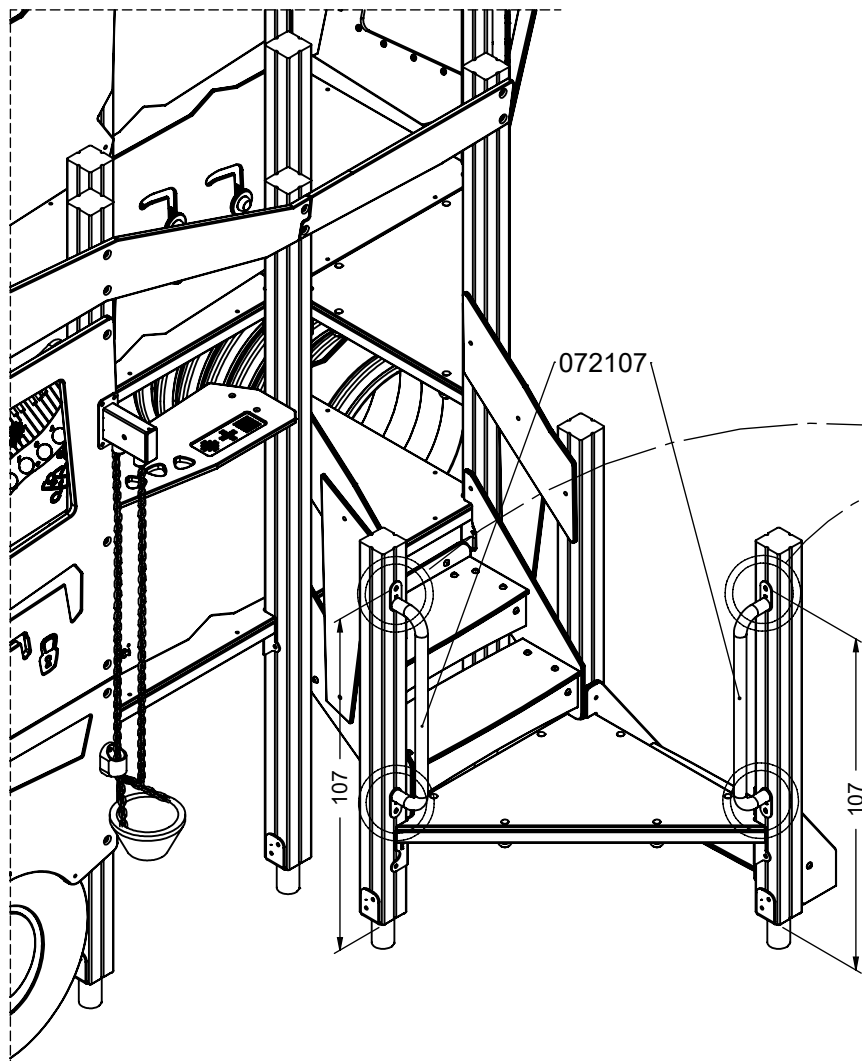
vinci play



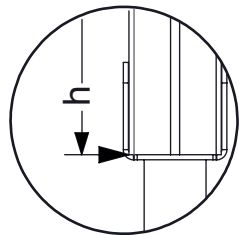
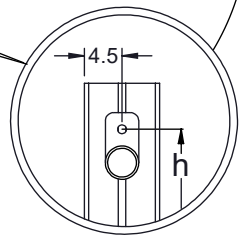
[cm]



vinci
play



8x50 sxi



072107

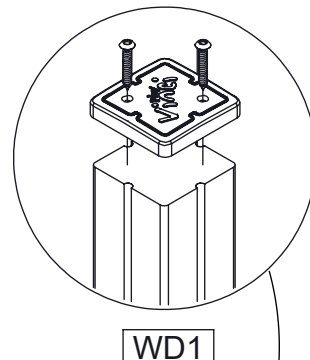
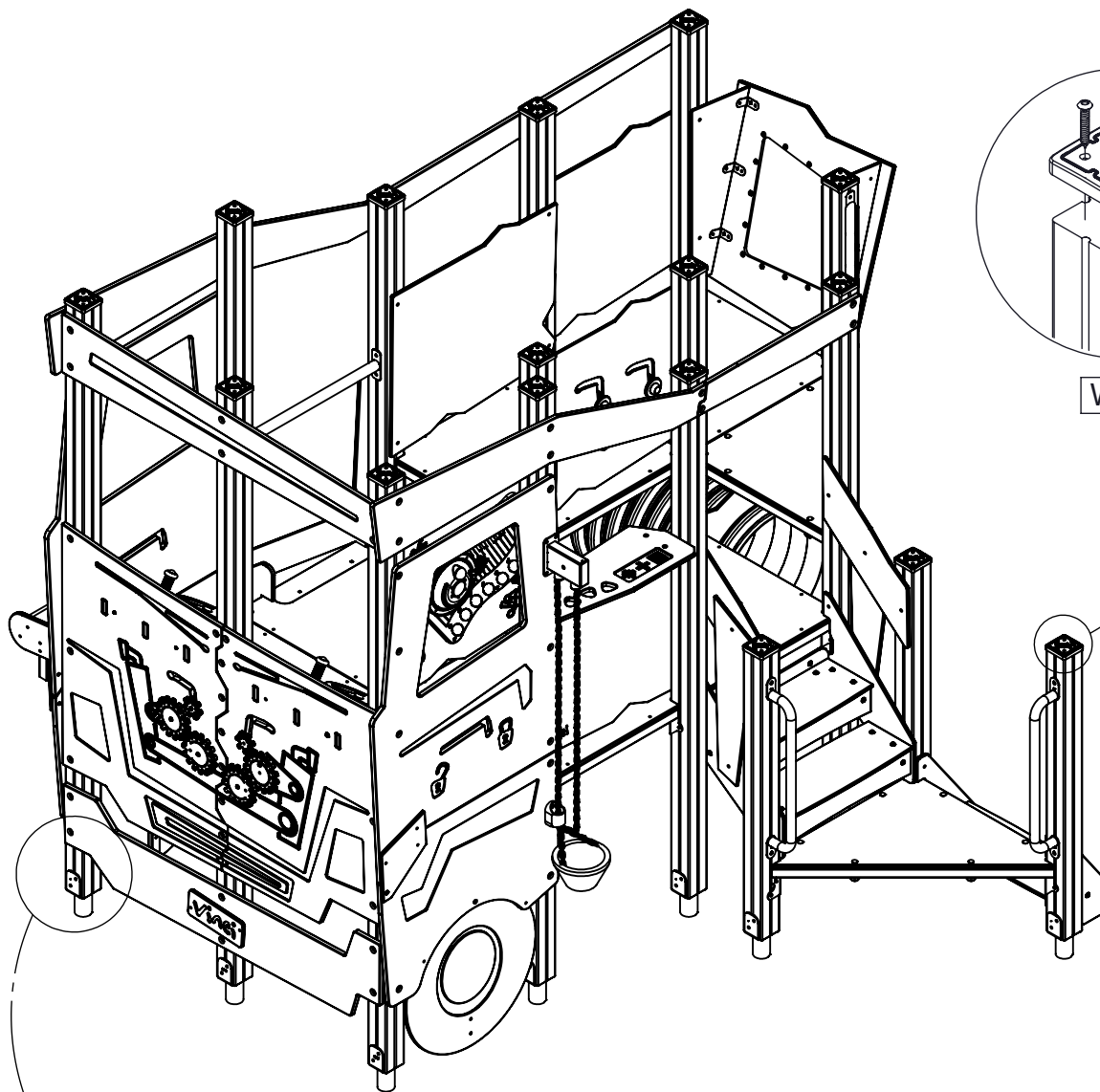
107

107

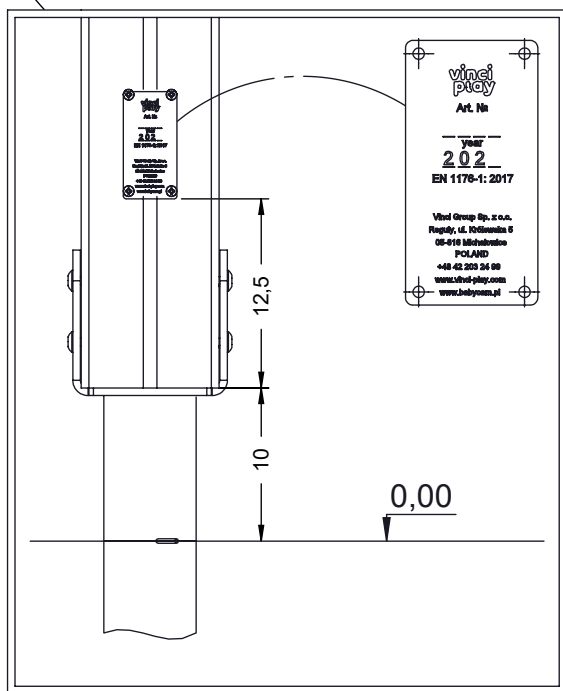
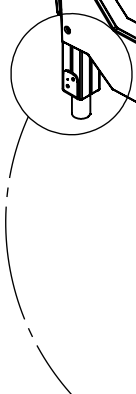
[cm]



vinci
play



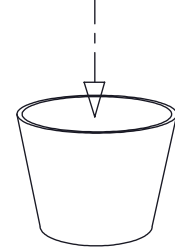
WD1



V001

Part No:
000000-00000

000000-00000



[cm]



vinci
 play