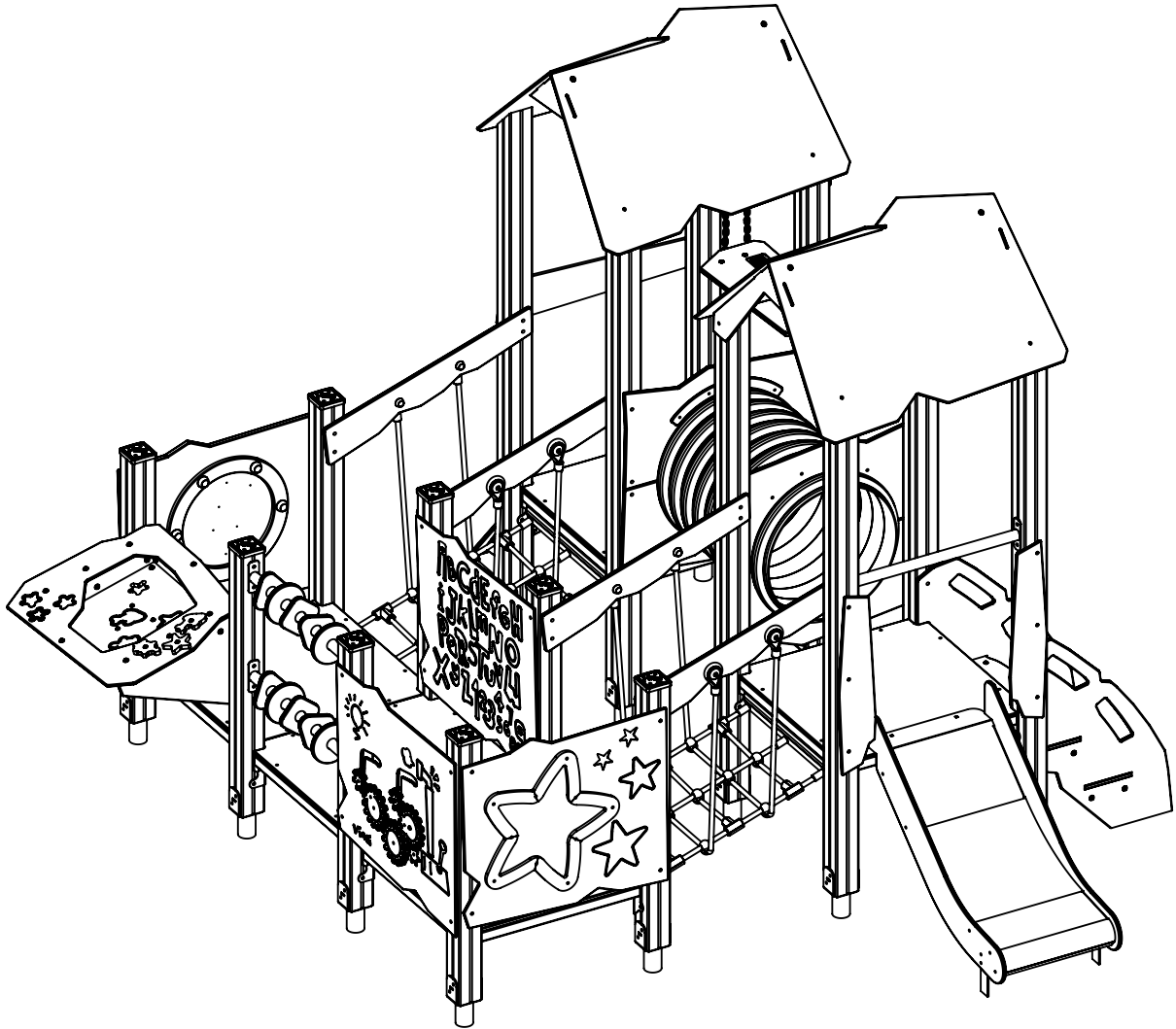
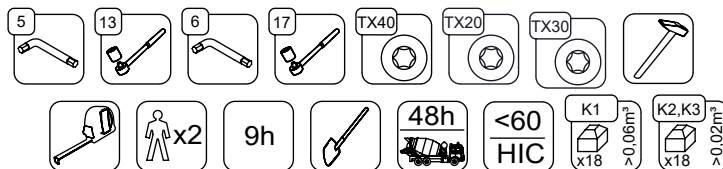


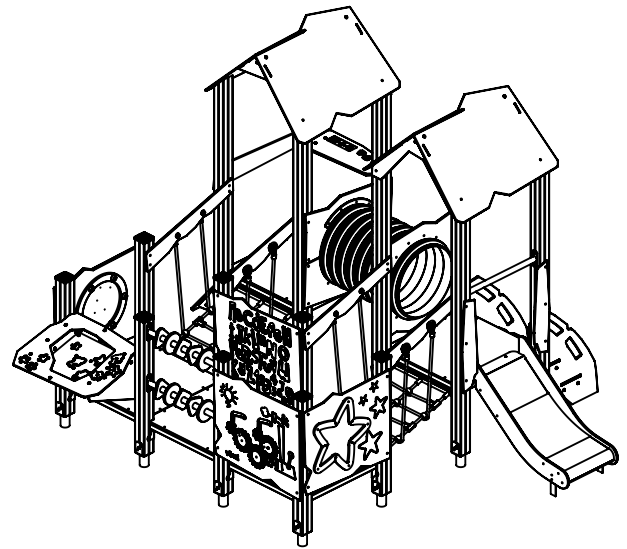
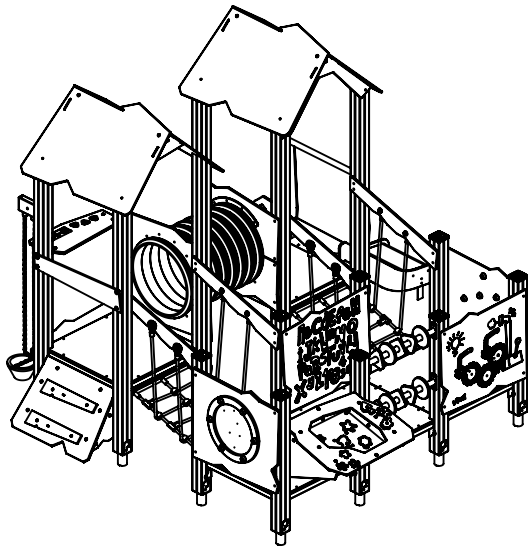
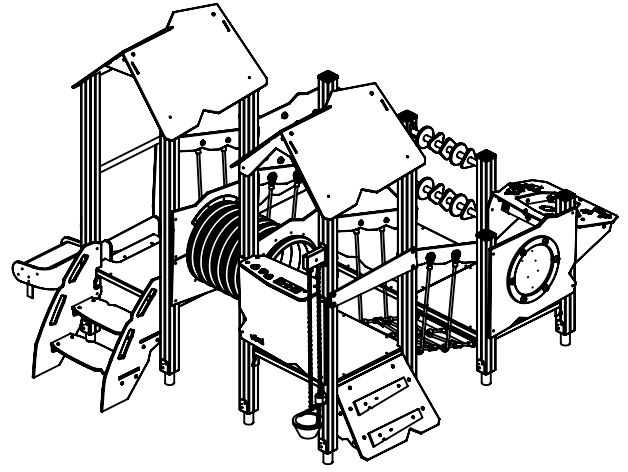
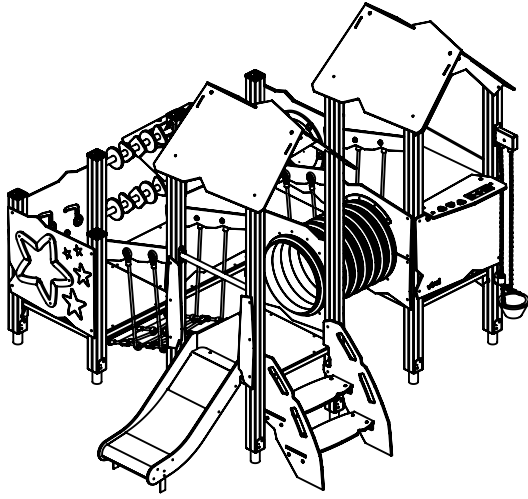
WD1503

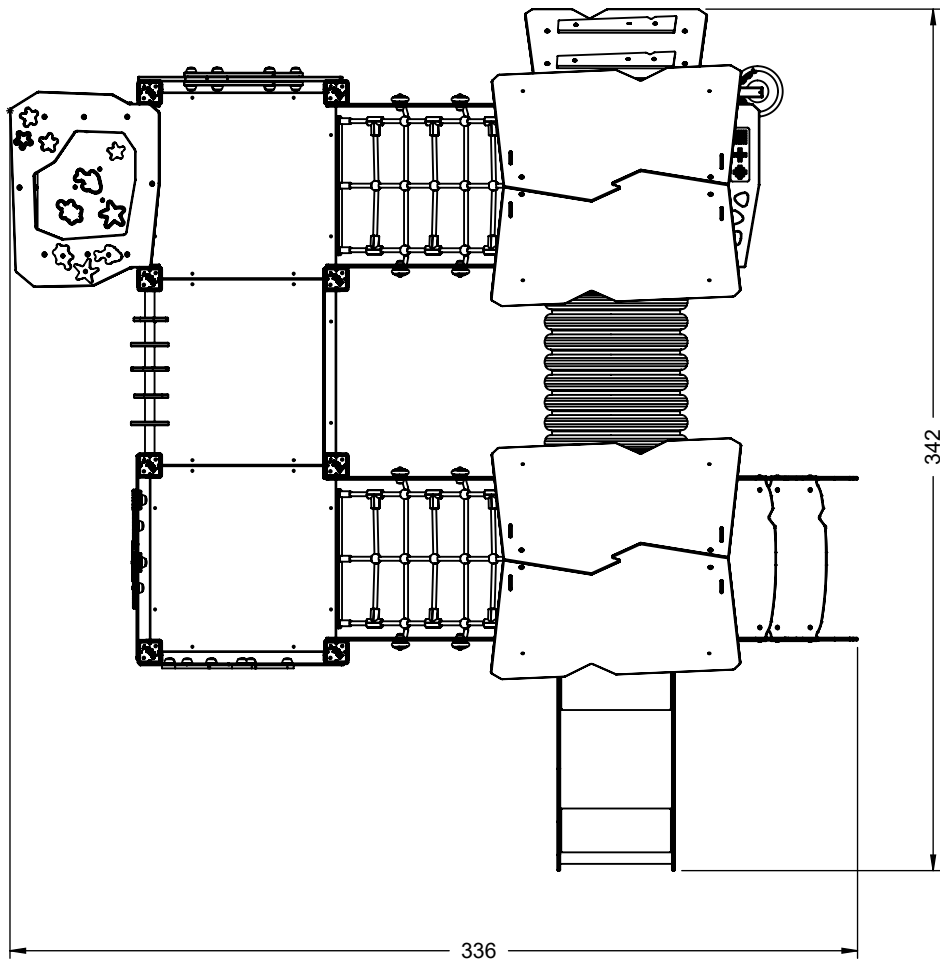
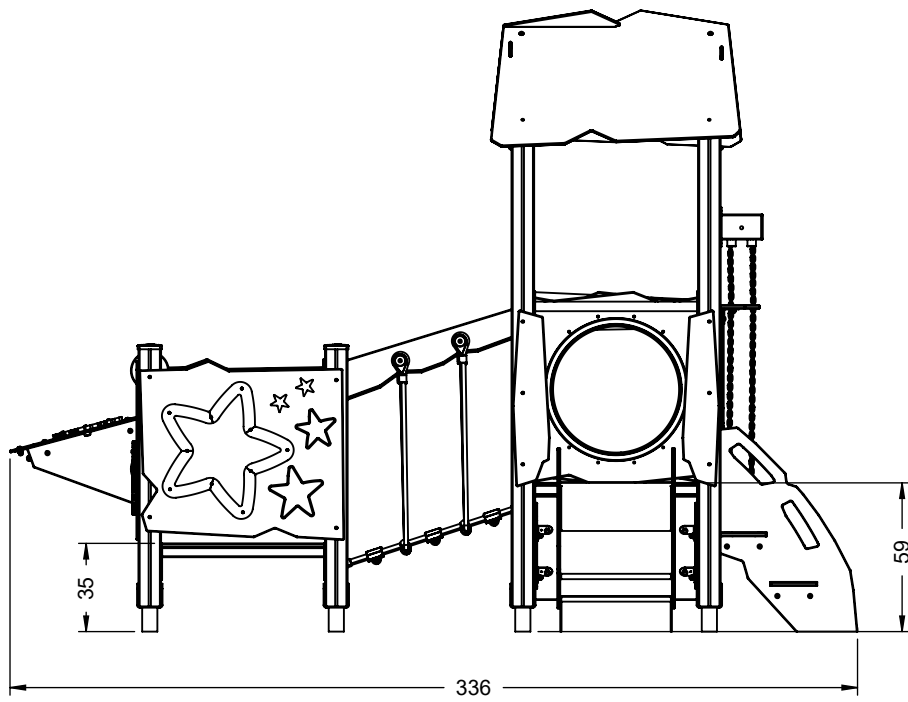


v010
12.01.2021
A. H.
[cm]



vinci
play

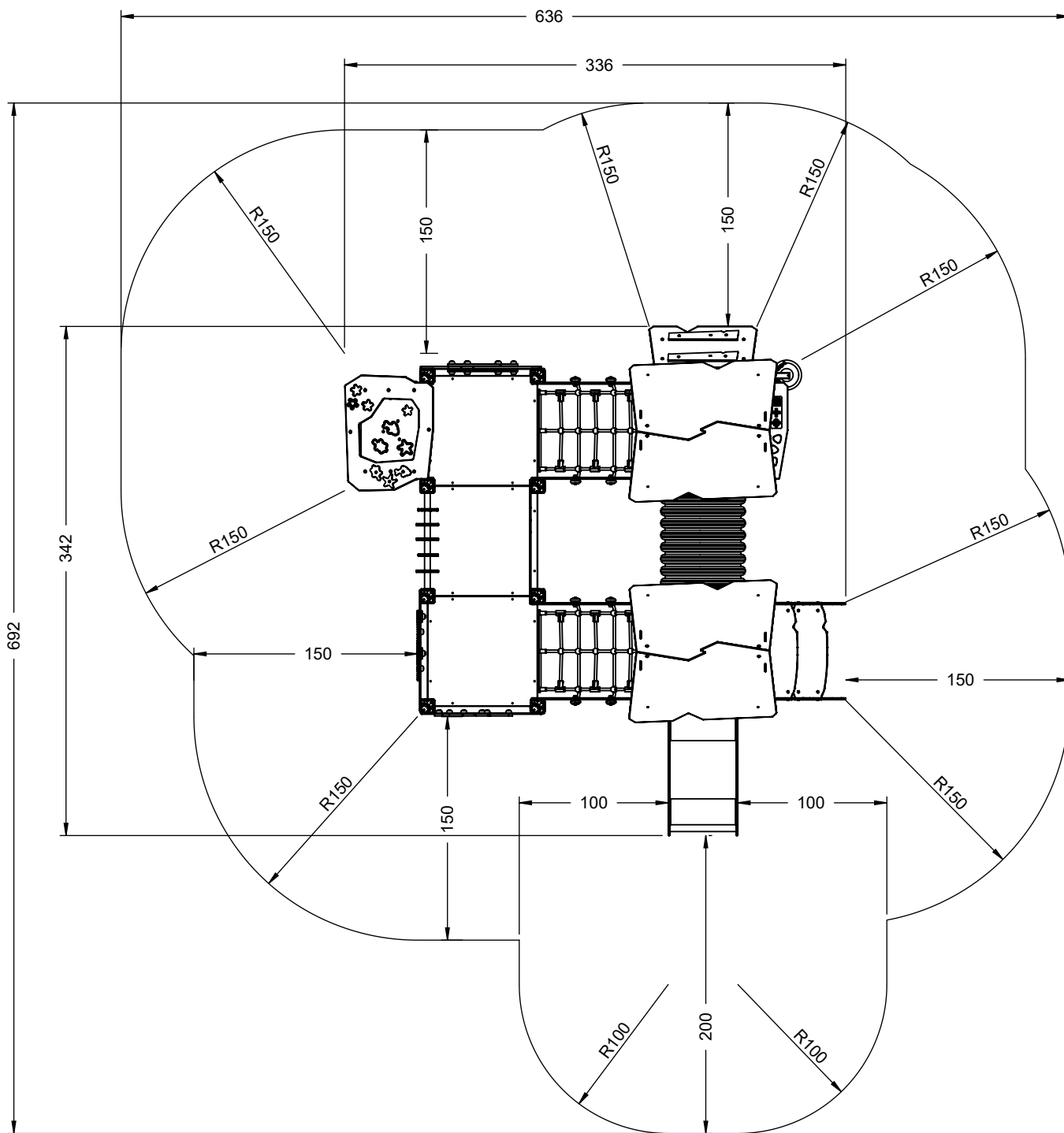




[cm]



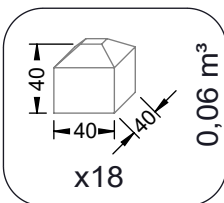
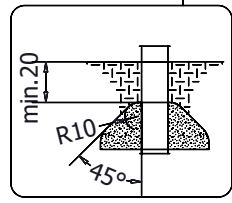
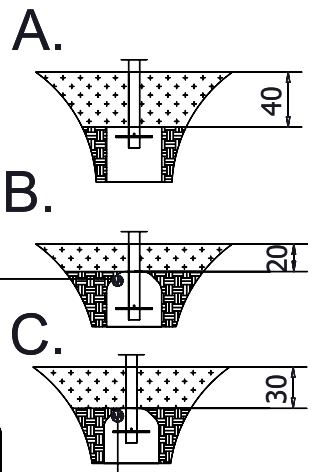
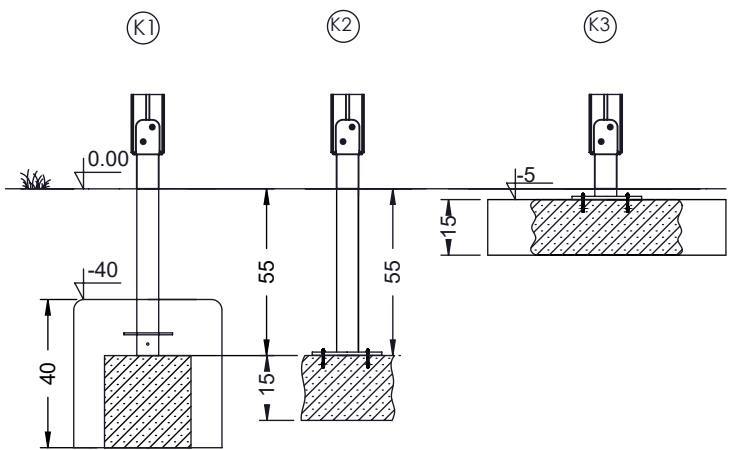
vinci
play



[cm]

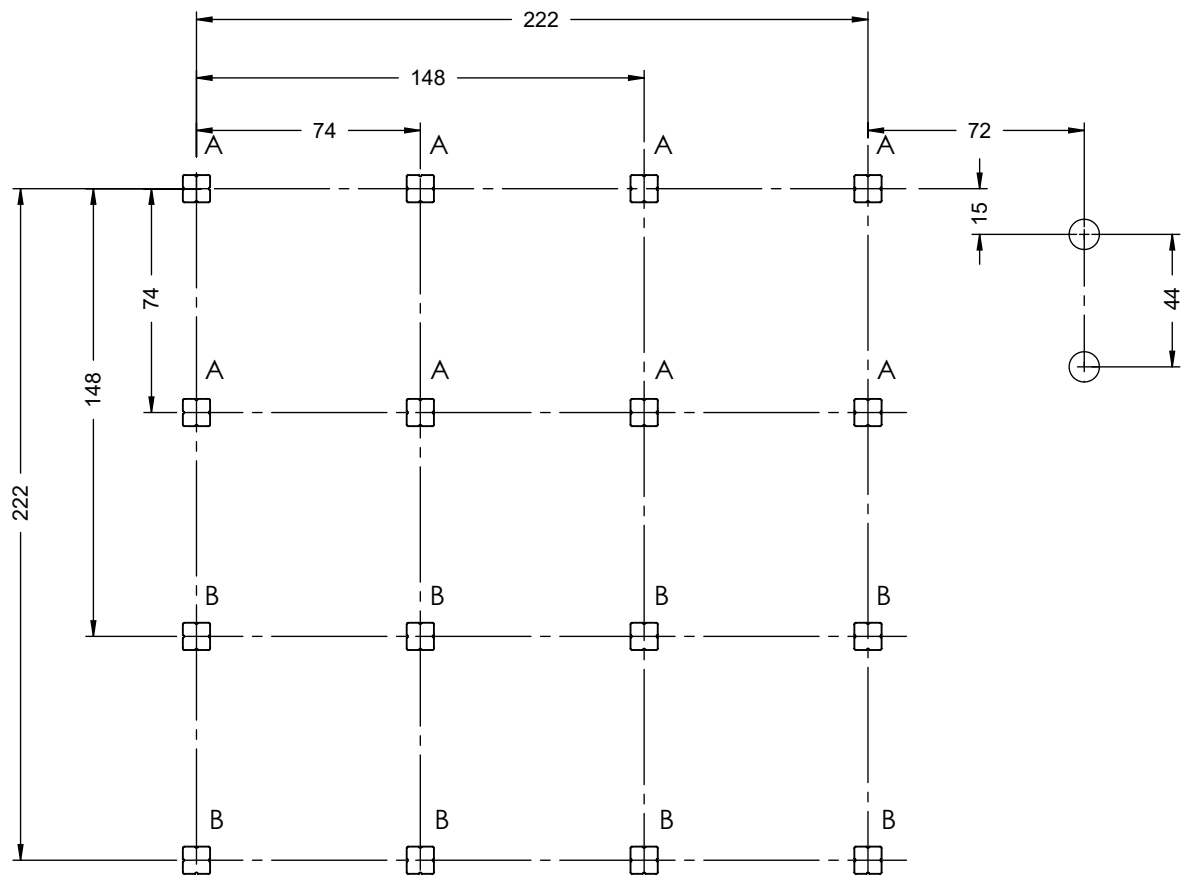
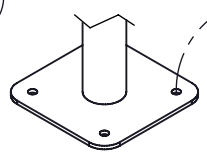


vinci
play



66x M10x120 (K2)	68x M10x120 (K3)
NOT INCLUDED	

2x M8x120 (K2)
NOT INCLUDED



[cm]

		9h		48h	K1 x18 >0,06m³	K2, K3 x18 >0,02m³
--	--	----	--	-----	-------------------	-----------------------

vinci play

A



14719745
x8

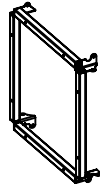
B



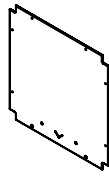
14710390
x8



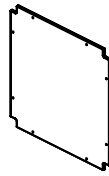
994121
x1



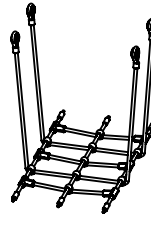
142109
x5



141101
x1



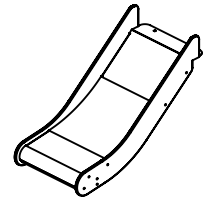
141100
x4



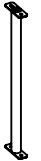
145248
x2



996143
x1



994108
x1



142117
x1



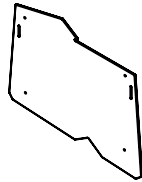
141131
x1



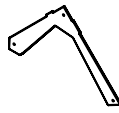
141133
x2



141132
x1



141120
x4



141123
x2



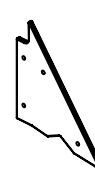
141122
x2



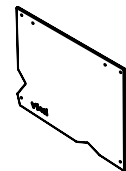
141189
x2



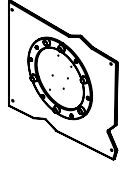
141188
x2



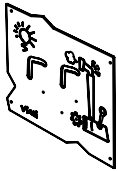
141323
x2



141152
x1



144227
x1



141232
x1



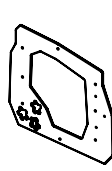
141233
x1



144126
x2



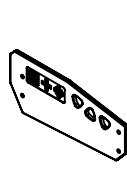
141250
x1



141302
x1



141153
x2



141253
x1



141261
x1



141262
x4



141301
x2



141321
x4



b341
x2



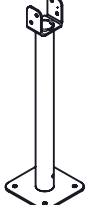
b342
x2

K1



142102
x16

K2



142108
x16

K3



142100
x16

K1, K2



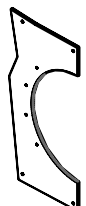
P78
x2

HDPE



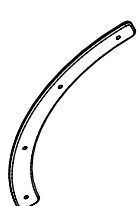
141140
x4

HPL



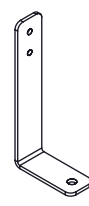
141277
x4

HPL



991241
x4

K3

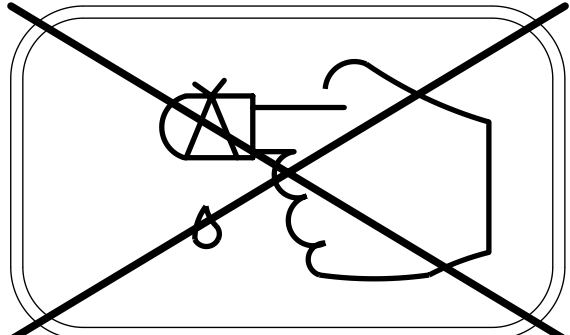
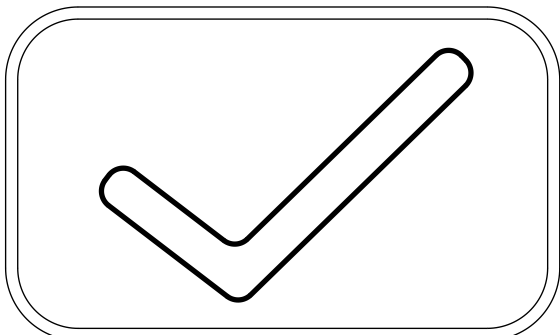
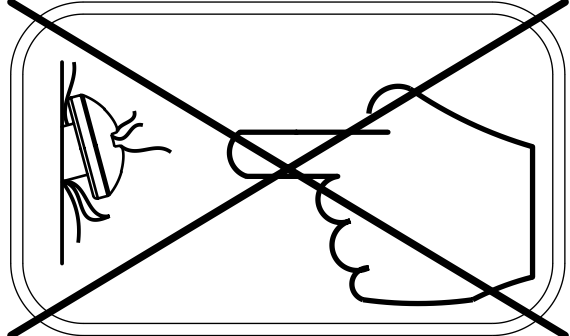
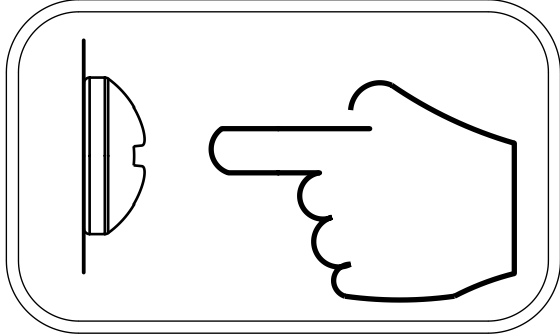
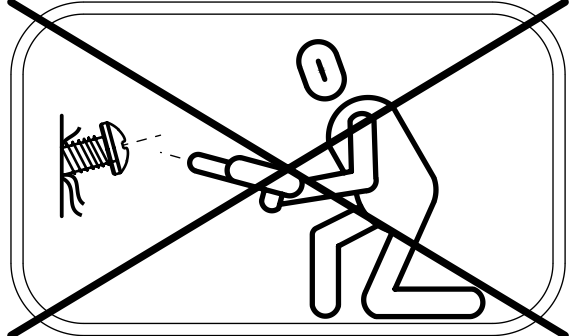
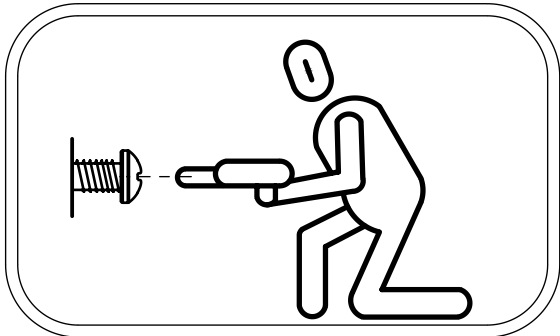


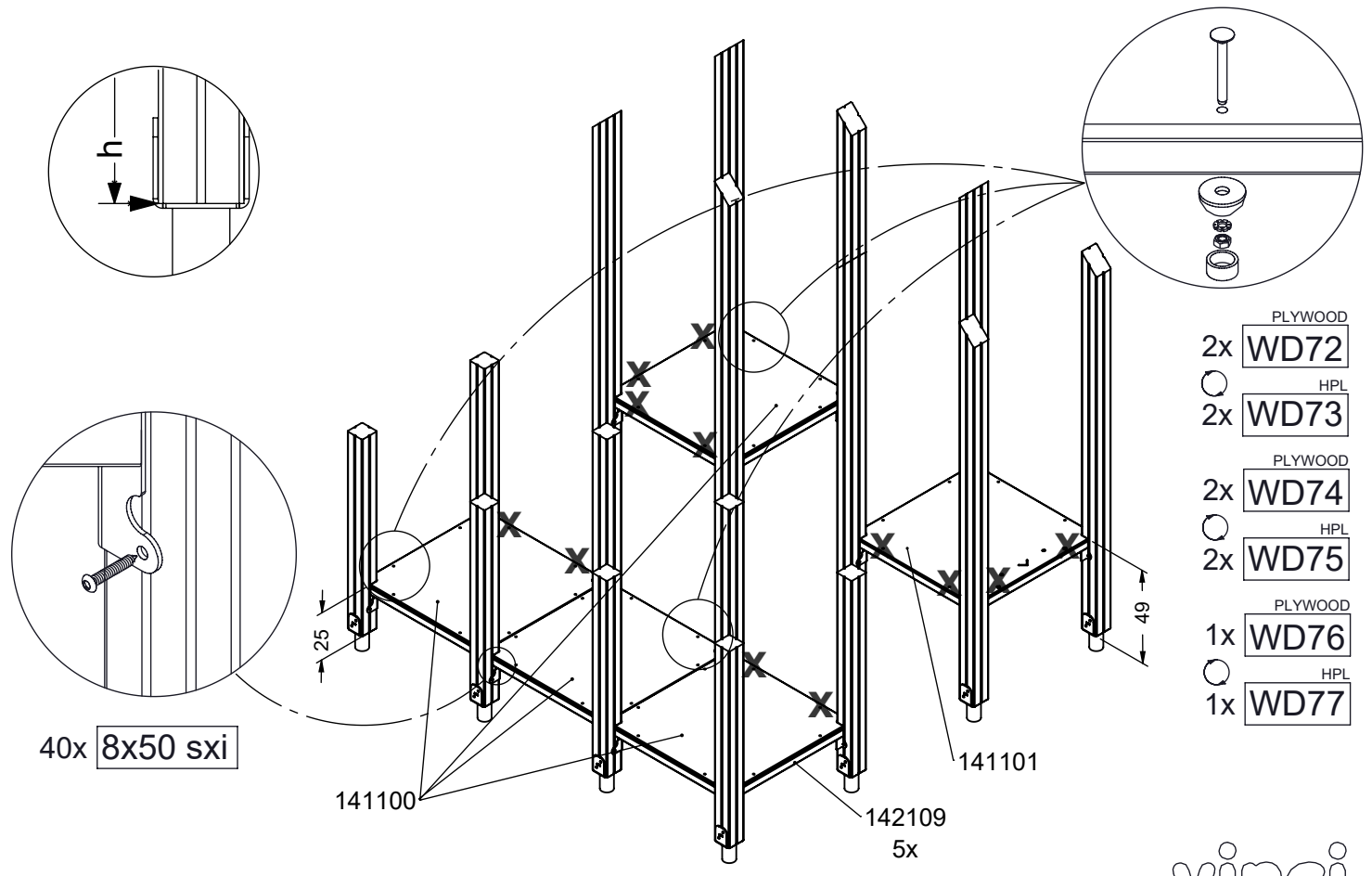
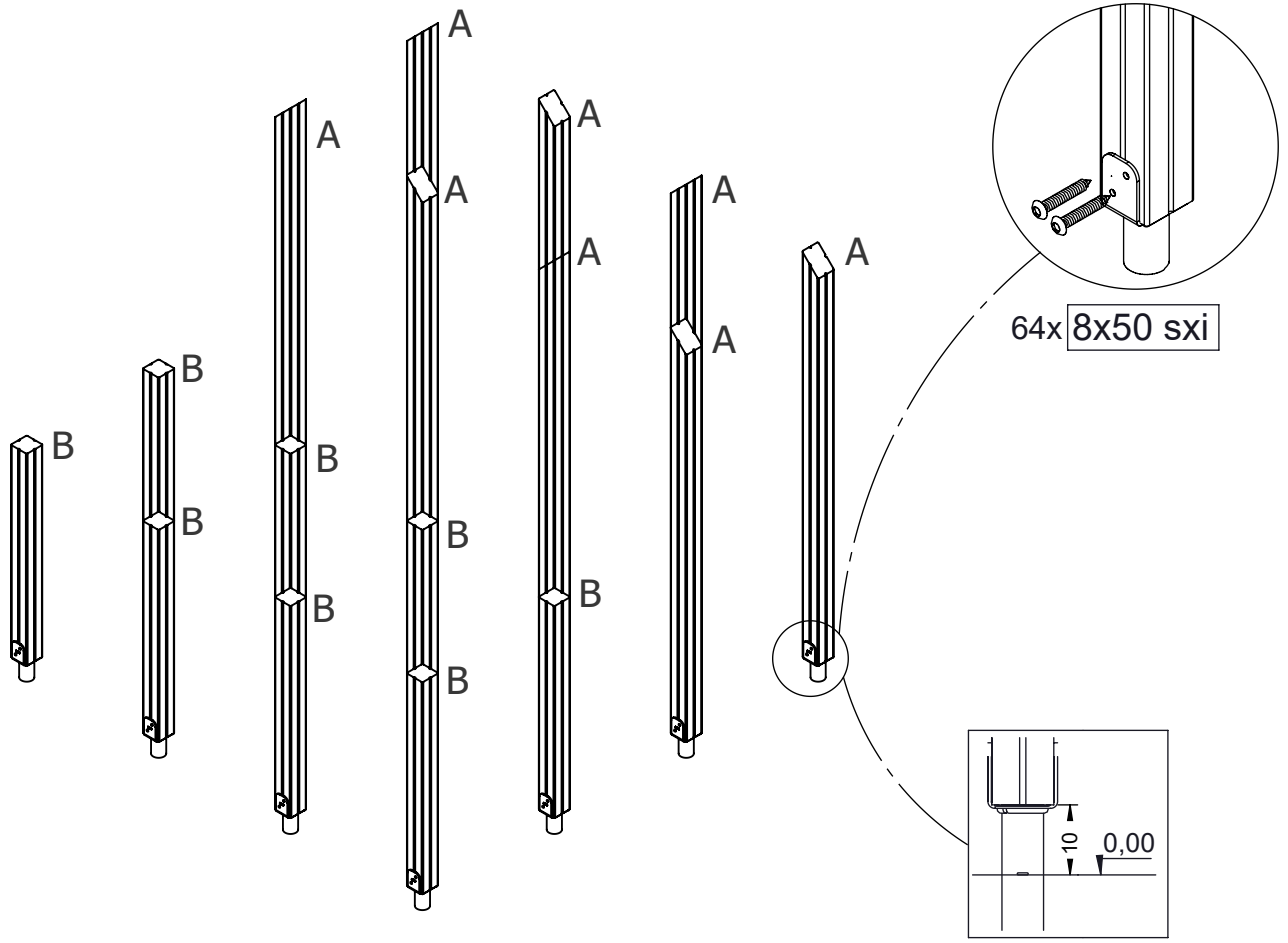
b219-2
x2

		PLYWOOD / HDPE		HPL	
206x	8x50 sxi	1x	WD28 _(s1)	1x	WD29 _(s1)
2x	6x50 sxs	1x	WD113 _(s6)	1x	WD114 _(s6)
1x	E34 _(K1,K3)	2x	WD33	2x	WD34
1x	E35 _(K2)	5x	WD63	5x	WD64
8x	WD1	1x	WD17	1x	WD18
2x	WD66	1x	WD19	1x	WD20
1x	V001	1x	WD25	1x	WD26
1x	WD45	2x	WD72	2x	WD73
2x	WD54	2x	WD74	2x	WD75
1x	WD56	1x	WD76	1x	WD77
4x	WD59	1x	WD132	1x	WD132
				2x	E130
		1x	WD134	1x	WD135
		1x	WD94	1x	WD95
		1x	WD58	1x	WD55
		1x	WD60	1x	WD61

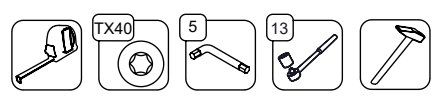
[cm]

vinci
play



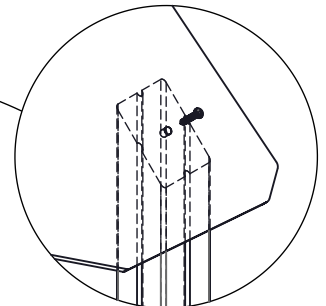
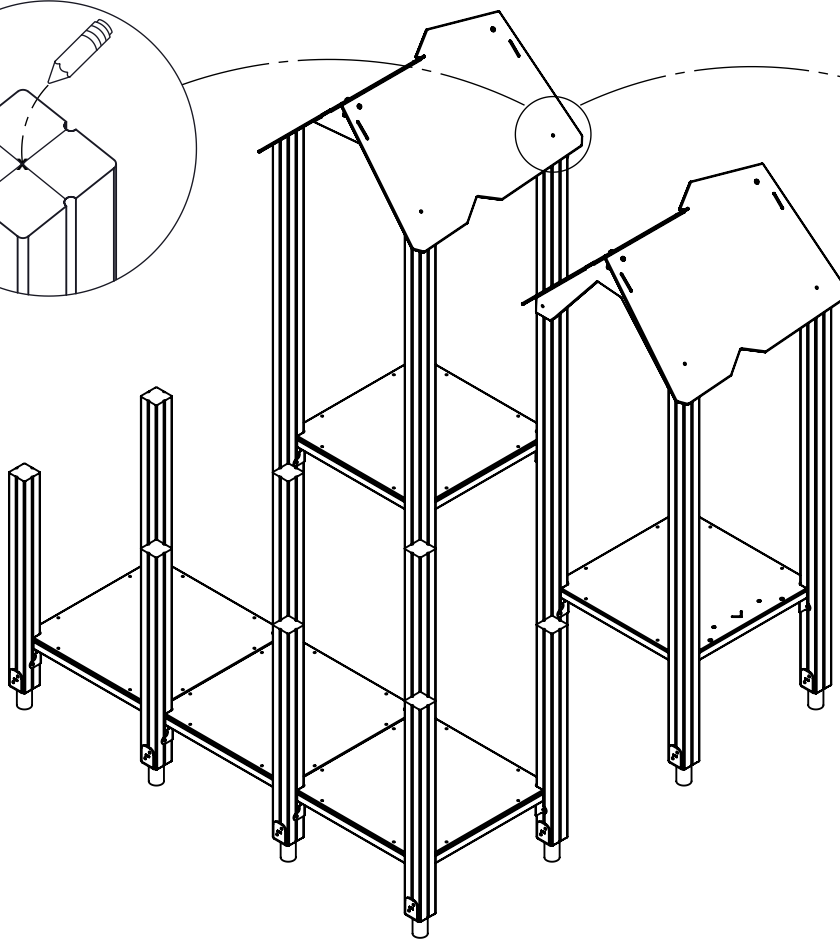
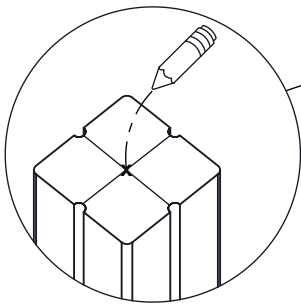
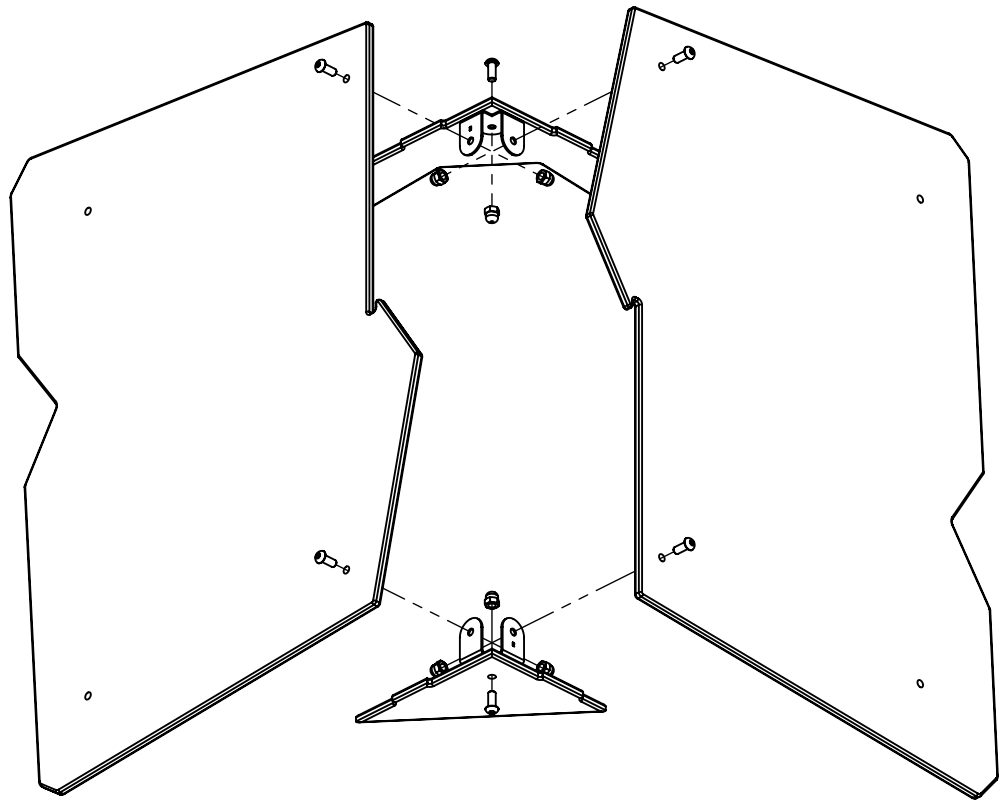


[cm]

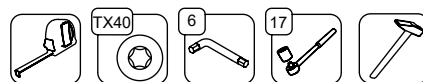
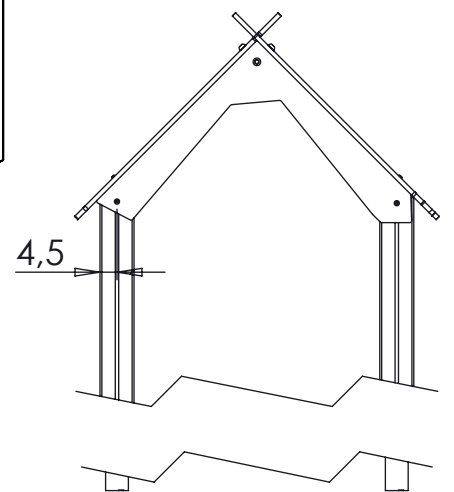


vinci play

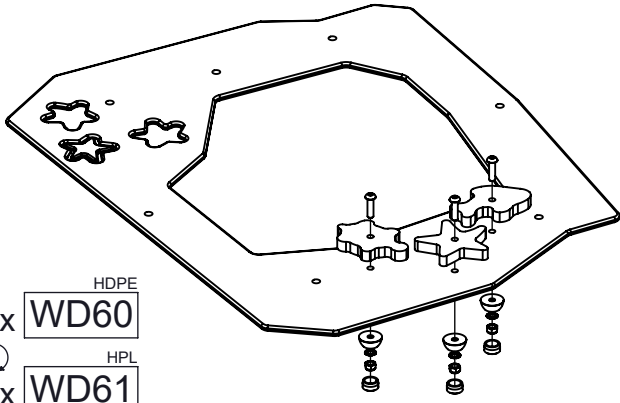
2x HDPE
WD33
 ○ HPL
WD34
 2x HPL
WD34



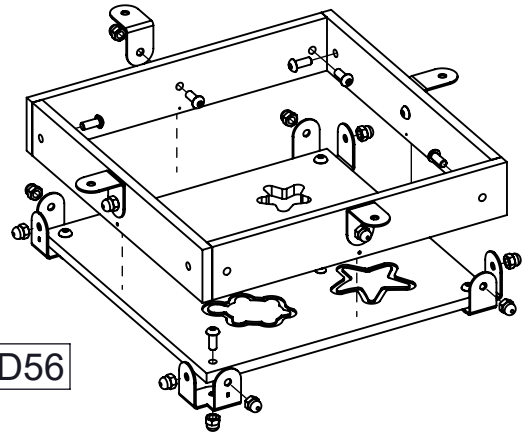
12x 8x50 sxi



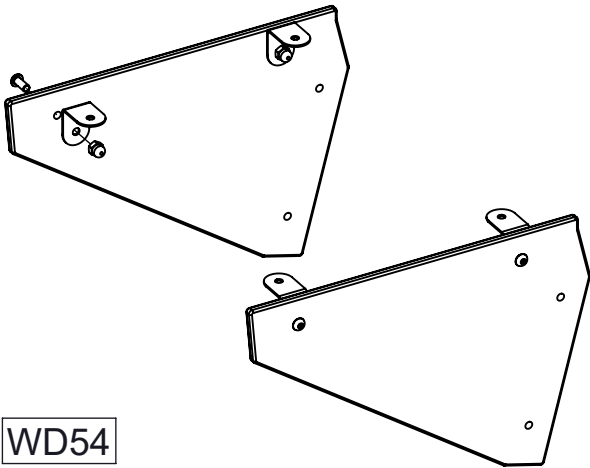
vinci
play



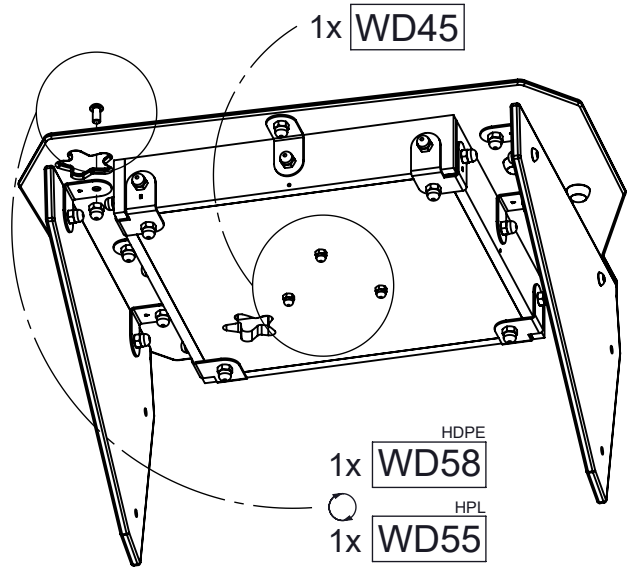
1x ^{HDPE} WD60
 1x ^{HPL} WD61



1x WD56

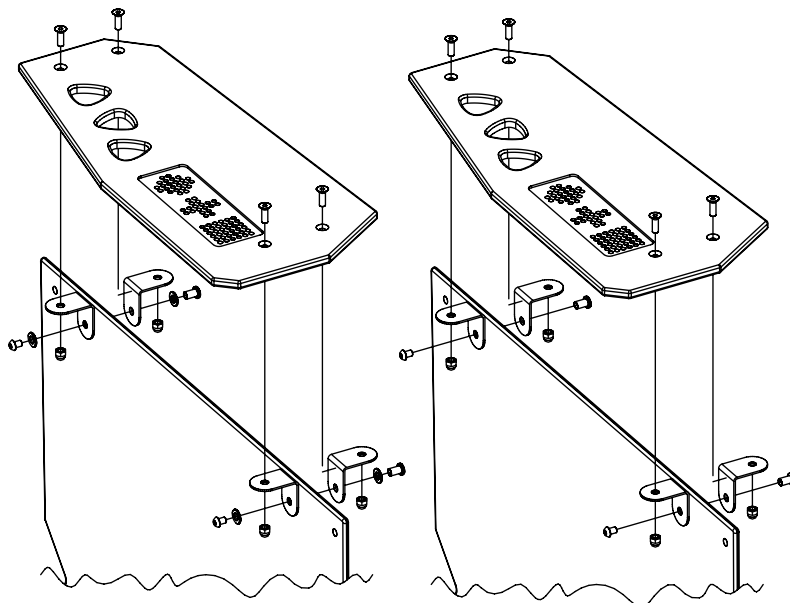


2x WD54



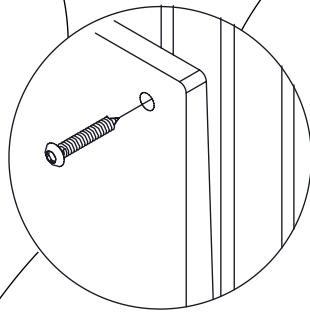
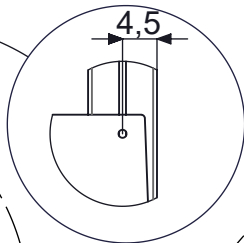
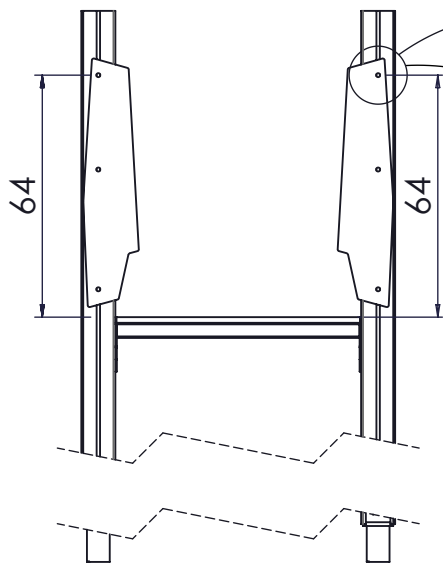
1x WD45

1x ^{HDPE} WD58
 1x ^{HPL} WD55

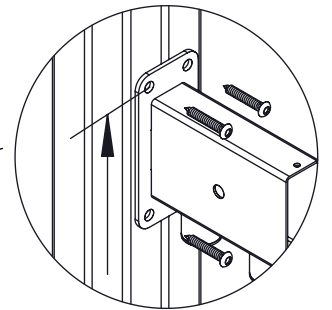
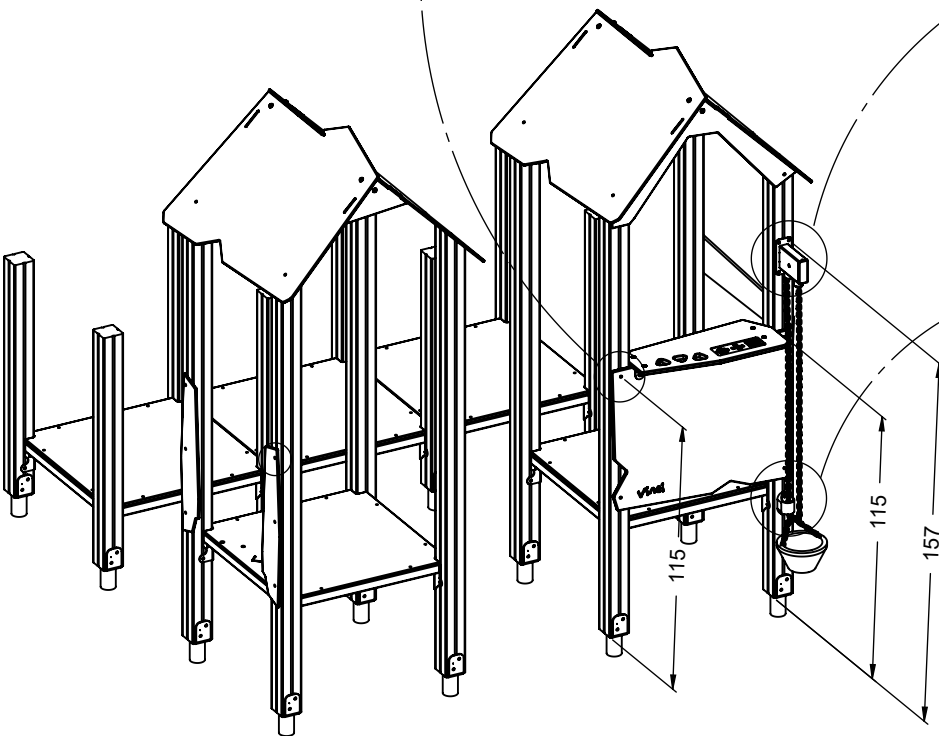
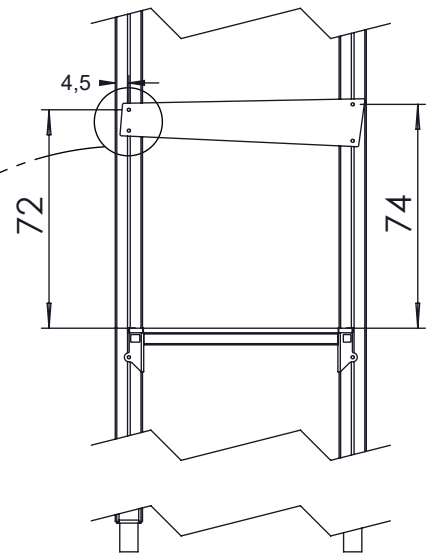


1x ^{HDPE} WD133 ○ 1x ^{HPL} WD133

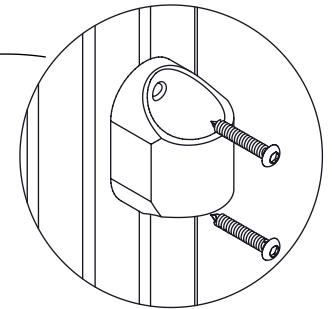




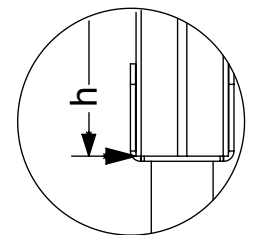
14x 8x50 sxi



4x 8x50 sxi



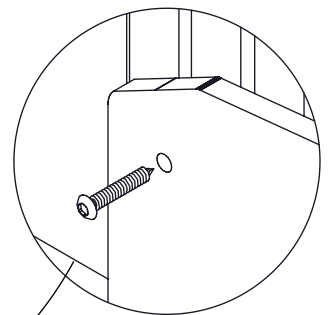
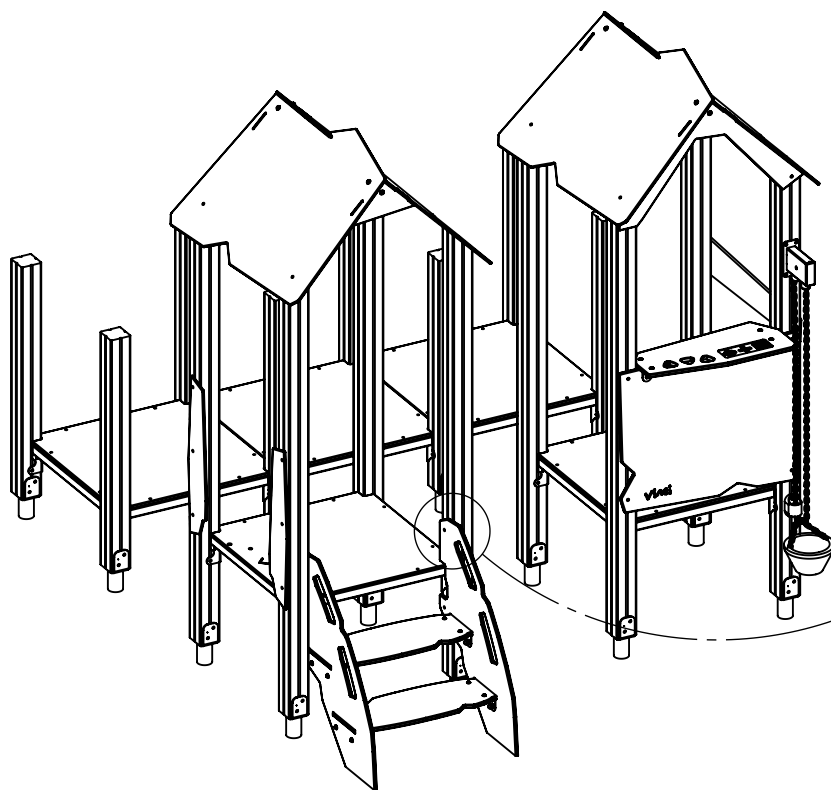
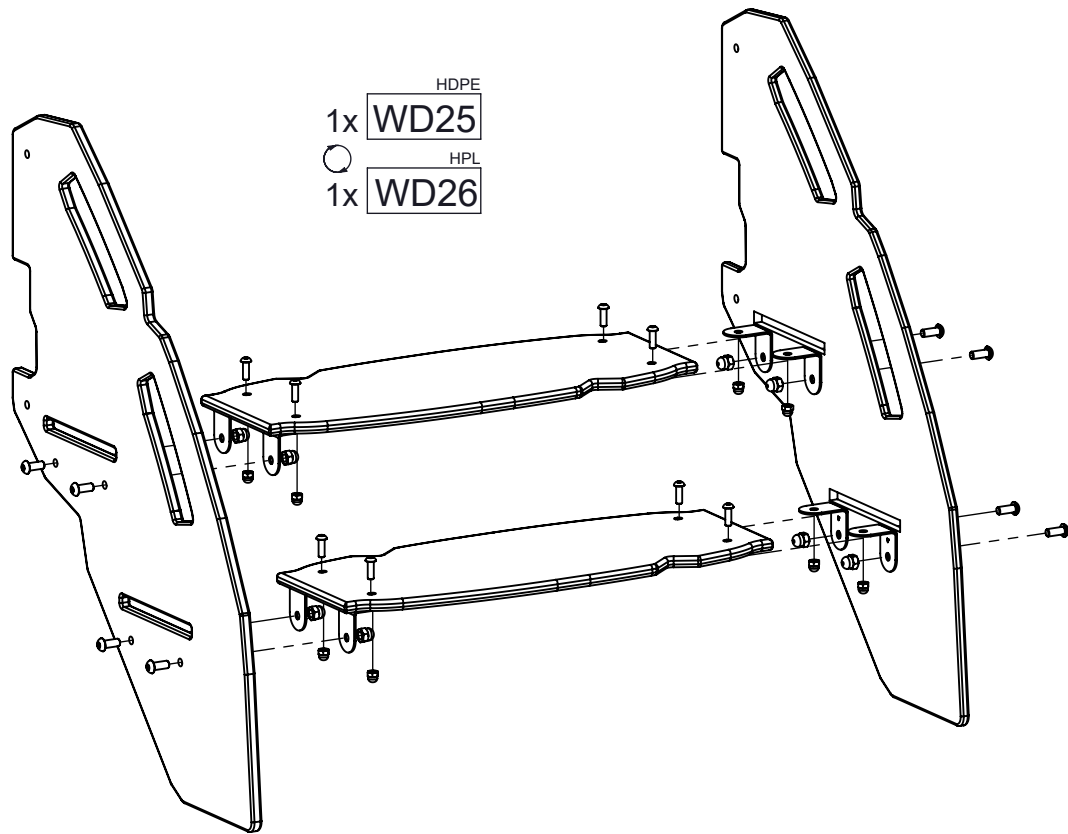
2x 6x50 sxs



[cm]



vinci
play

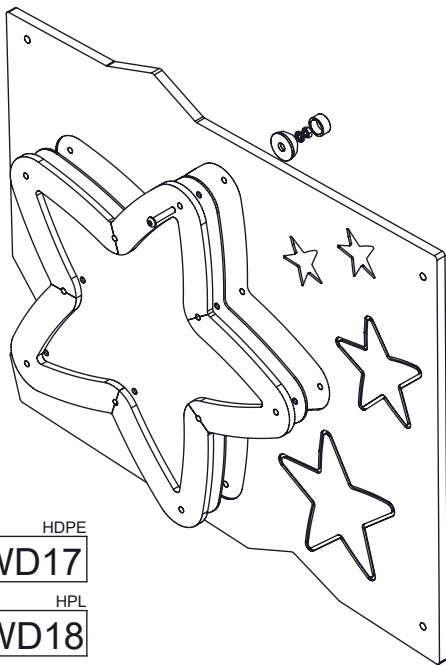


4x 8x50 sxi

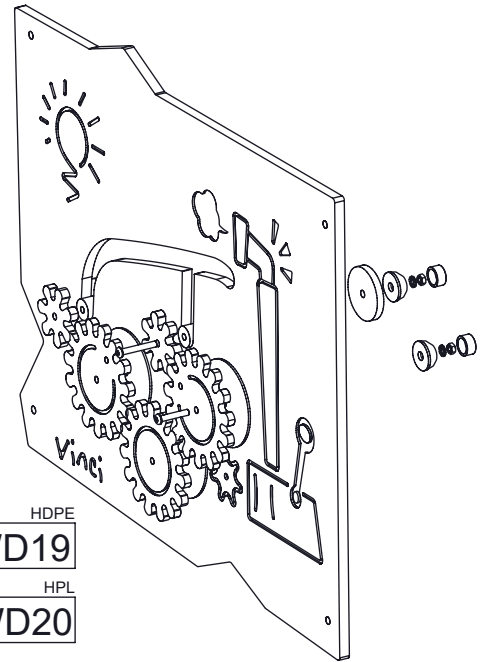


[cm]

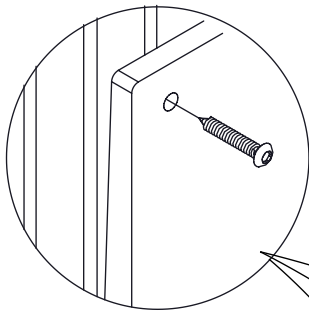
vinci
play



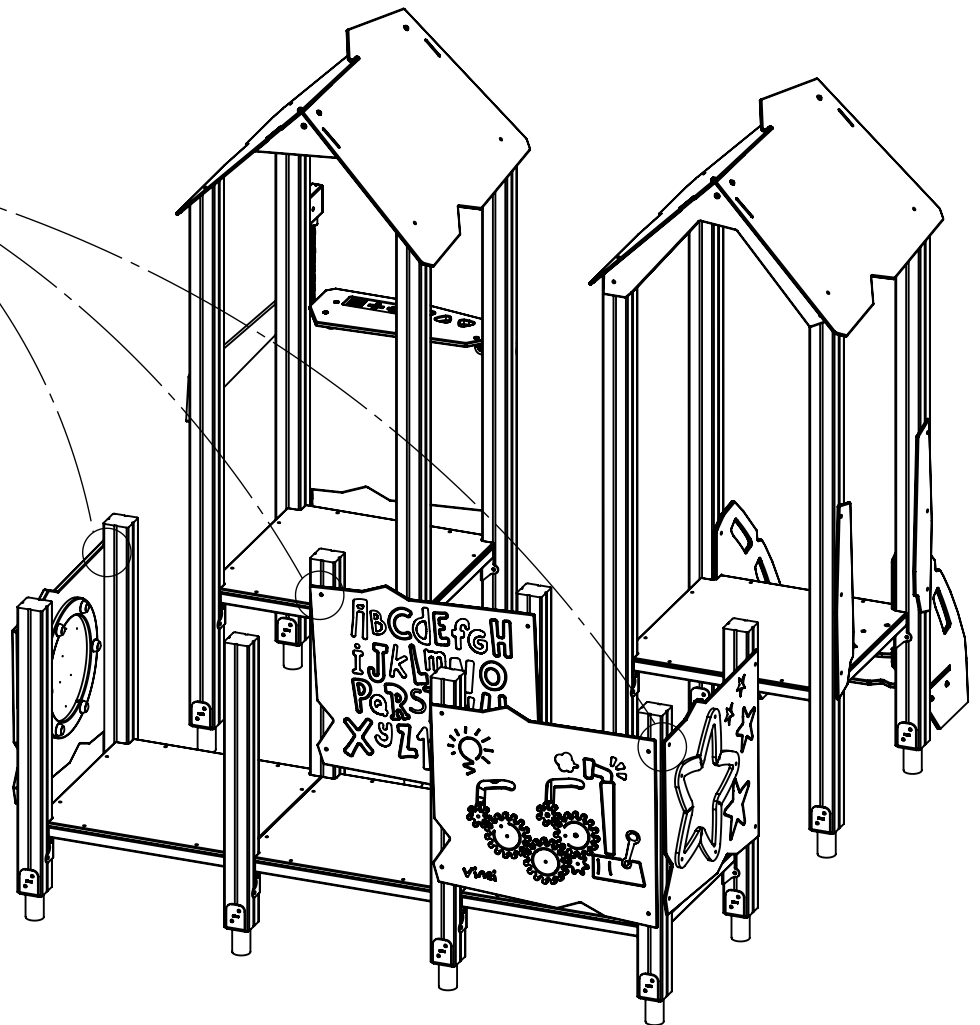
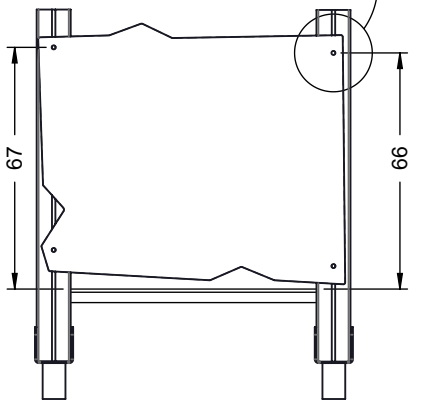
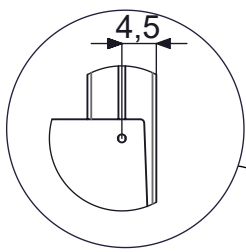
- 1x HDPE
WD17
- 1x HPL
WD18



- 1x HDPE
WD19
- 1x HPL
WD20

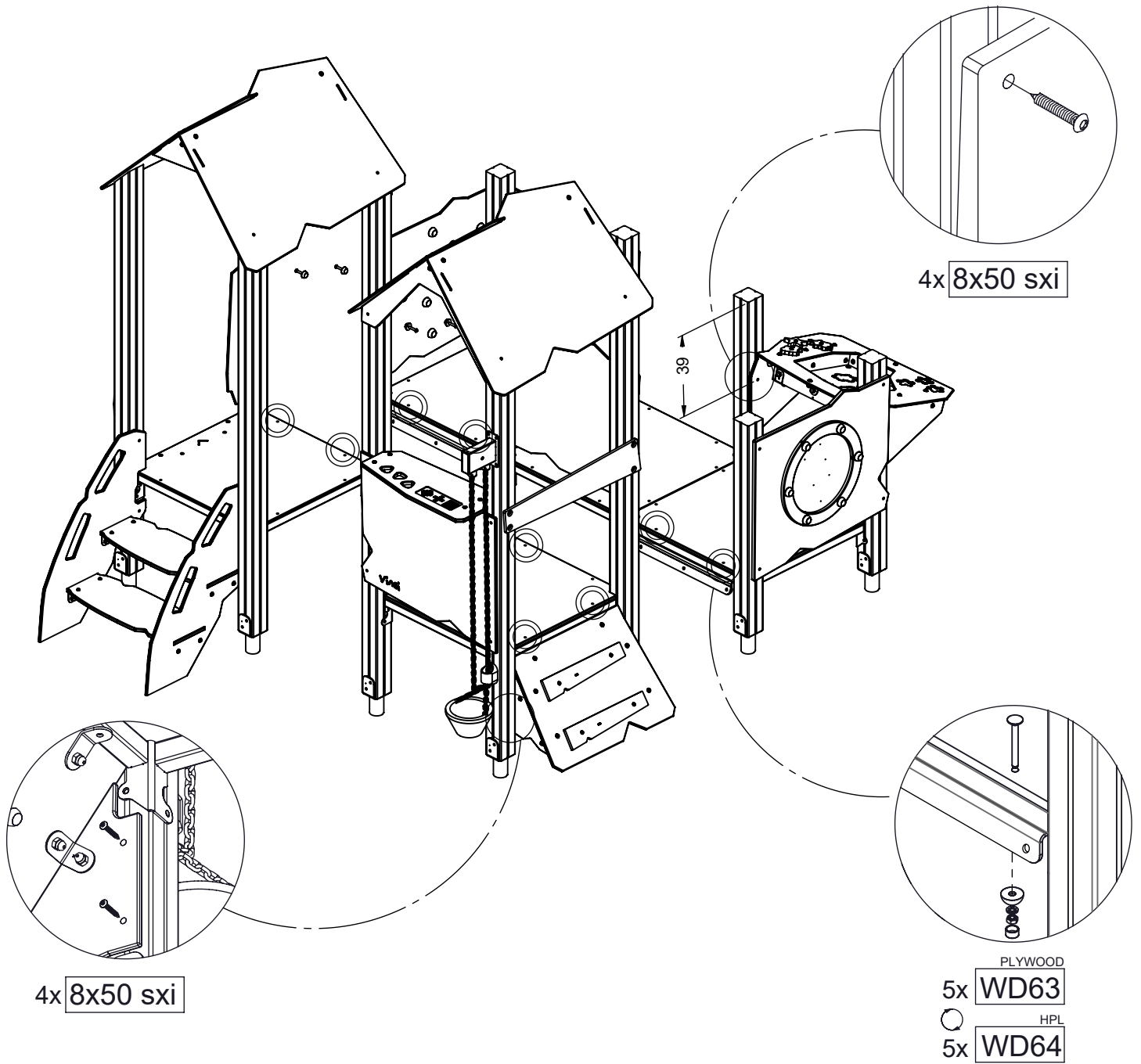
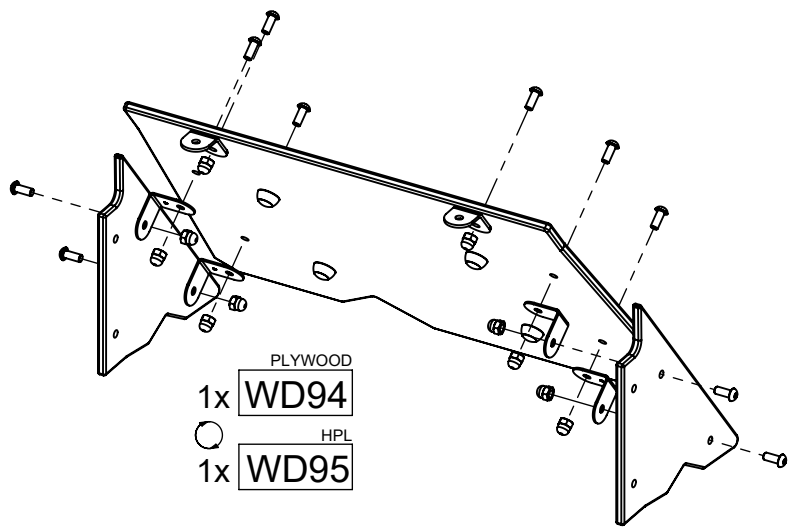
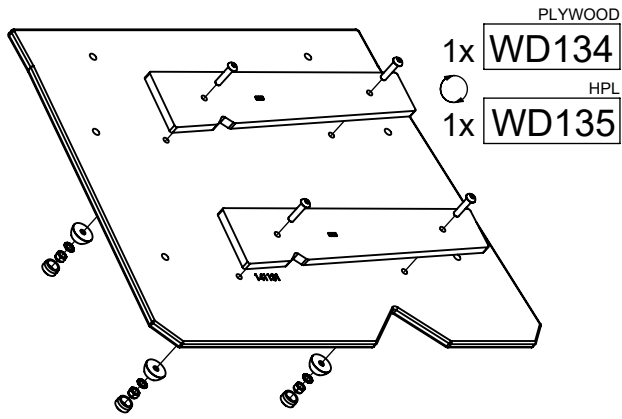


16x 8x50 sxi



[cm]

vinci
play

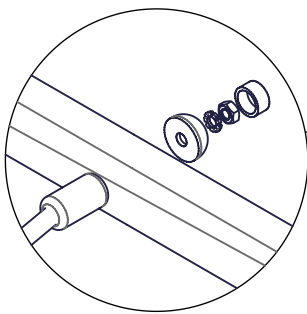


[cm]

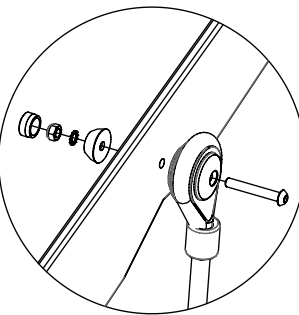
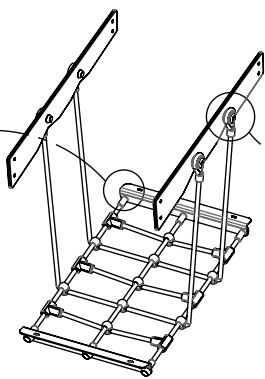


vinci
play

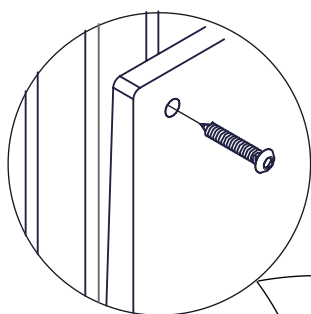
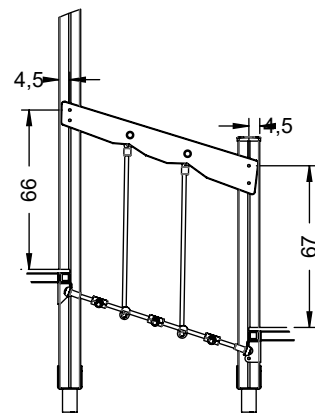
x2



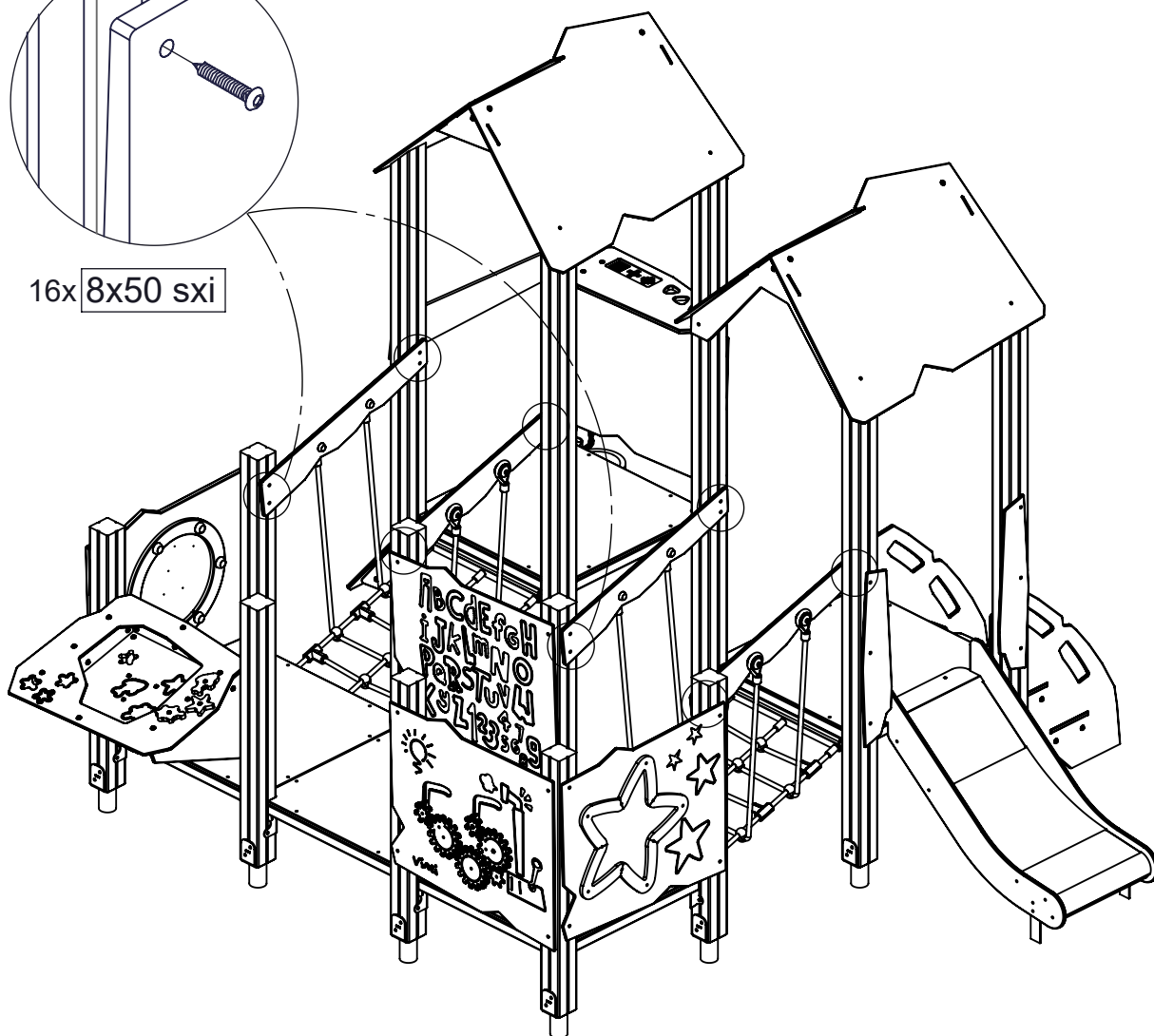
1x WD66



2x WD59



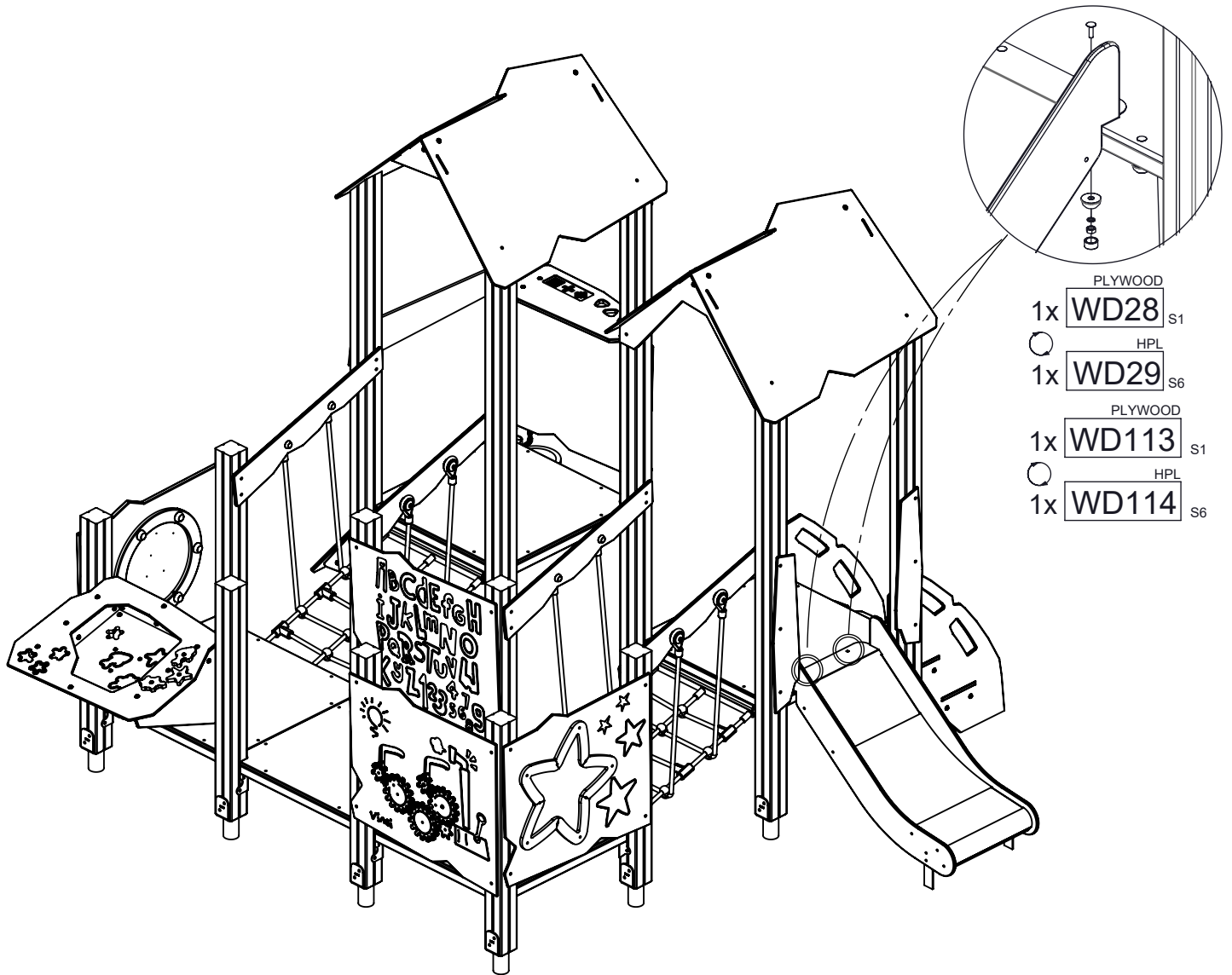
16x 8x50 sxi



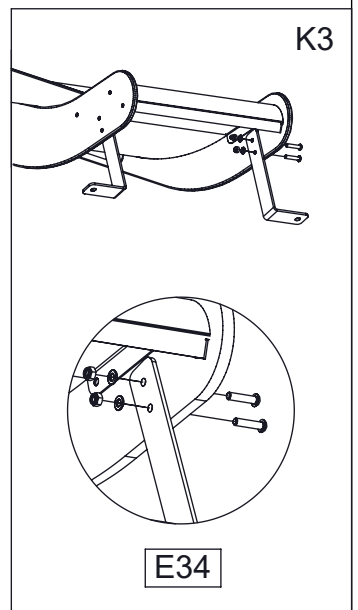
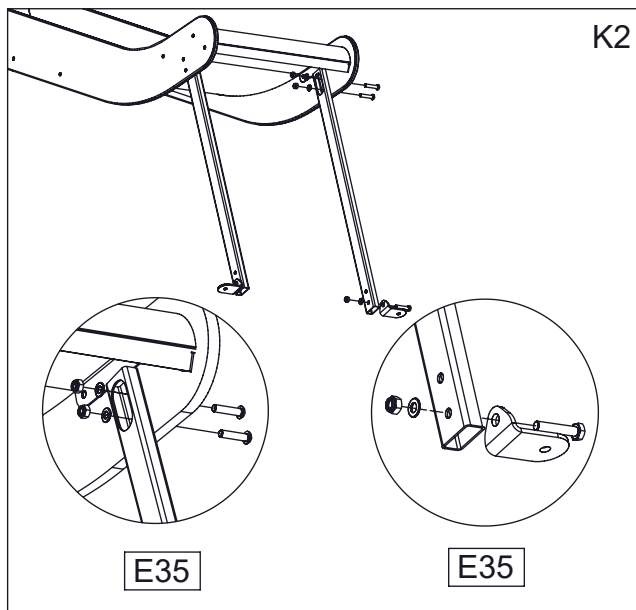
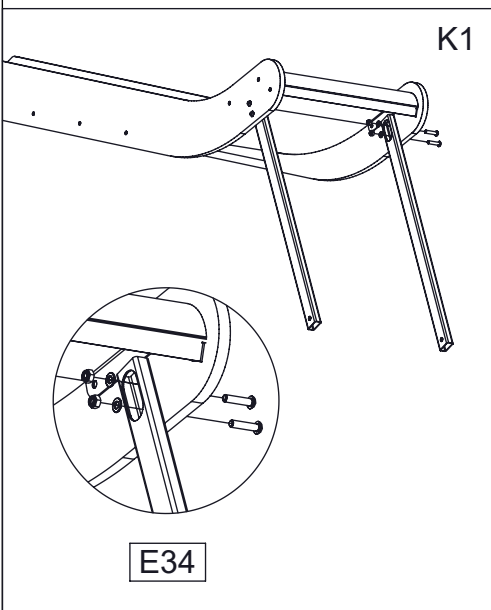
[cm]



vinci play



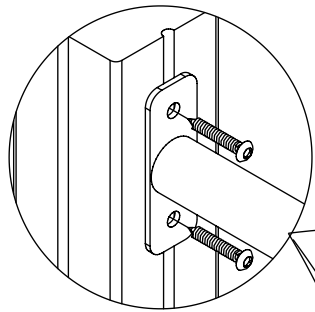
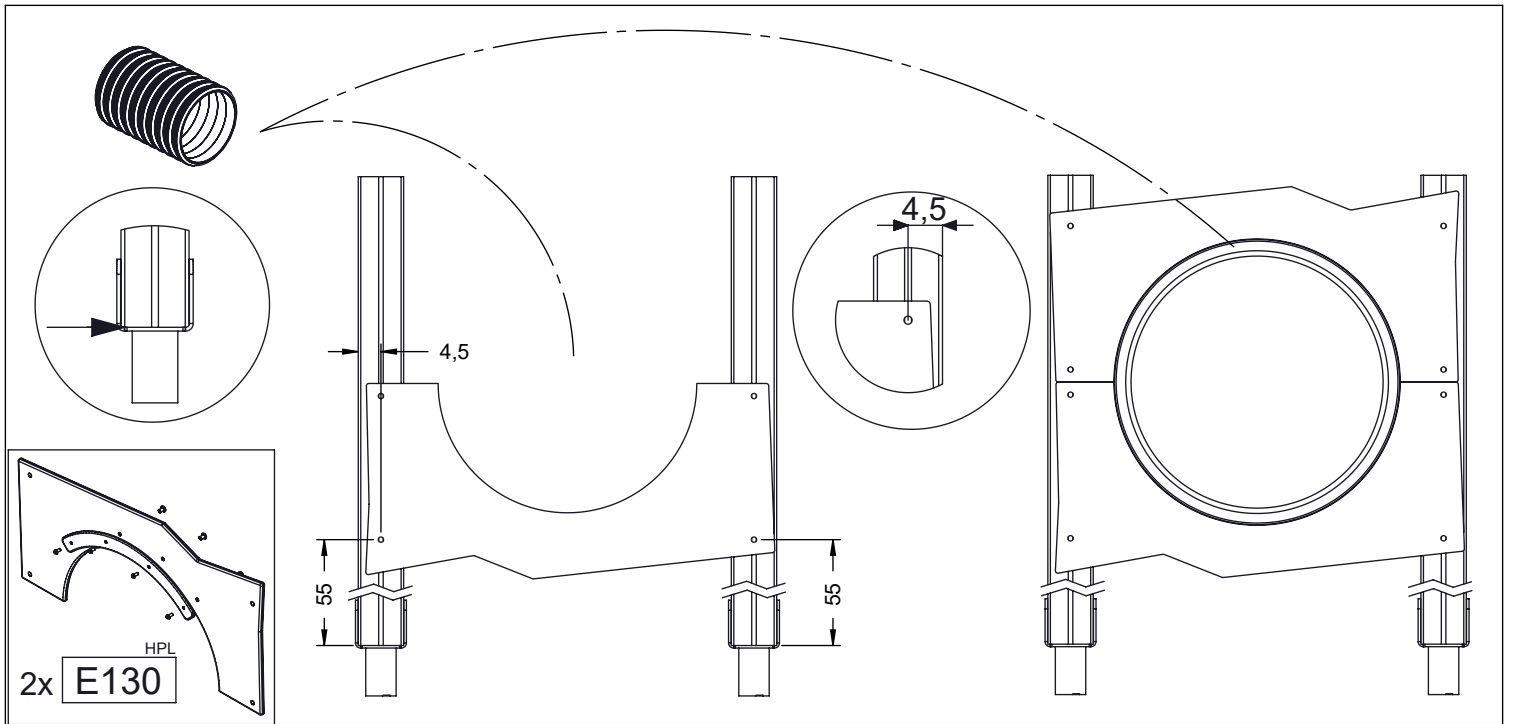
- PLYWOOD
- 1x **WD28** S1
- HPL
- 1x **WD29** S6
- PLYWOOD
- 1x **WD113** S1
- HPL
- 1x **WD114** S6



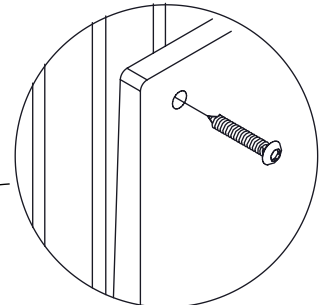
[cm]



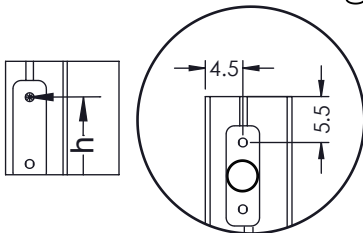
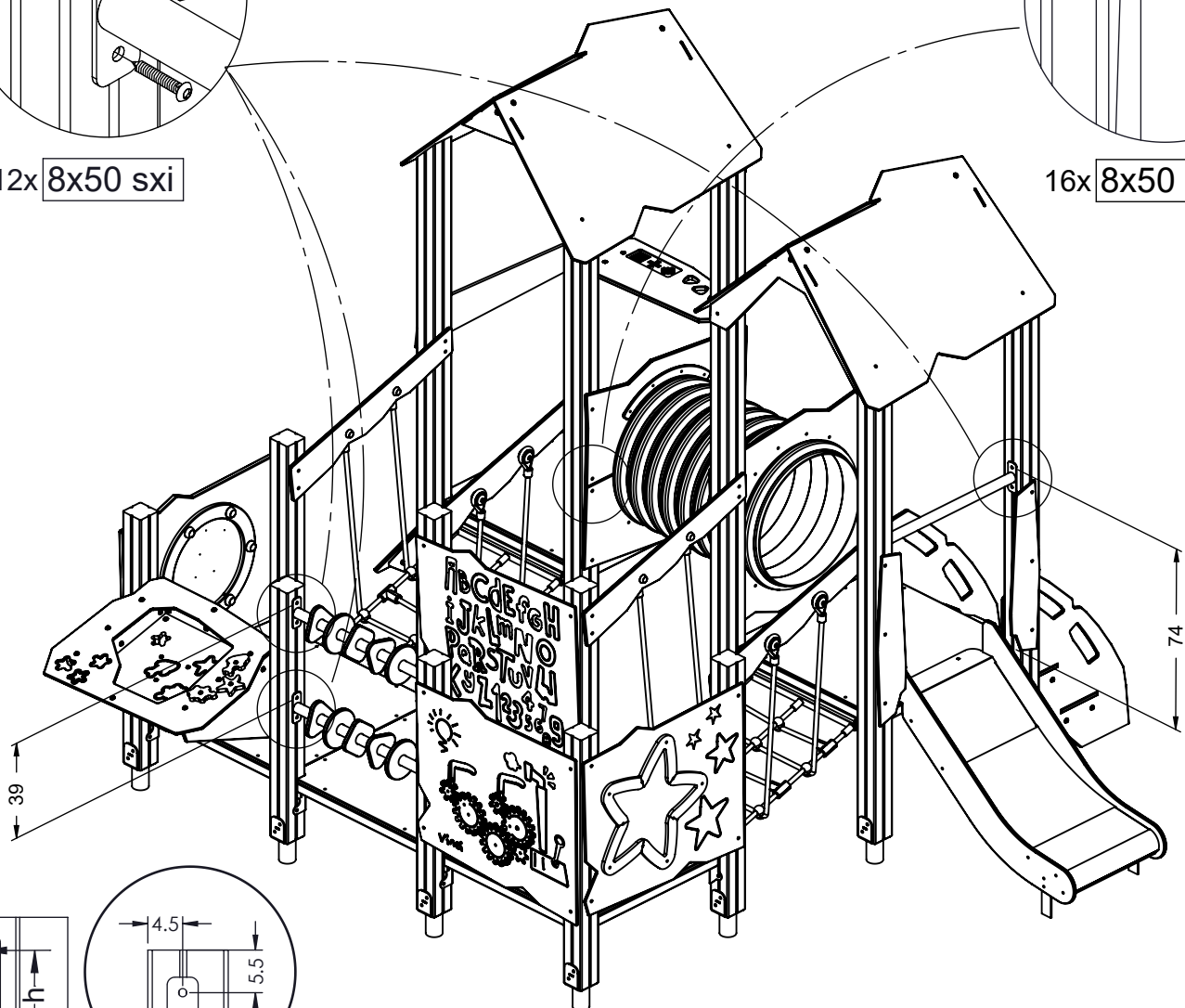
vinci
play



12x 8x50 sxi



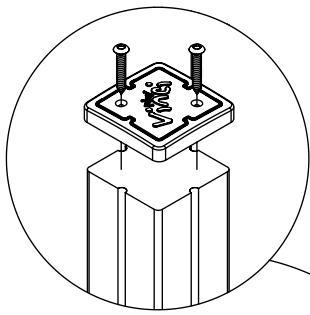
16x 8x50 sxi



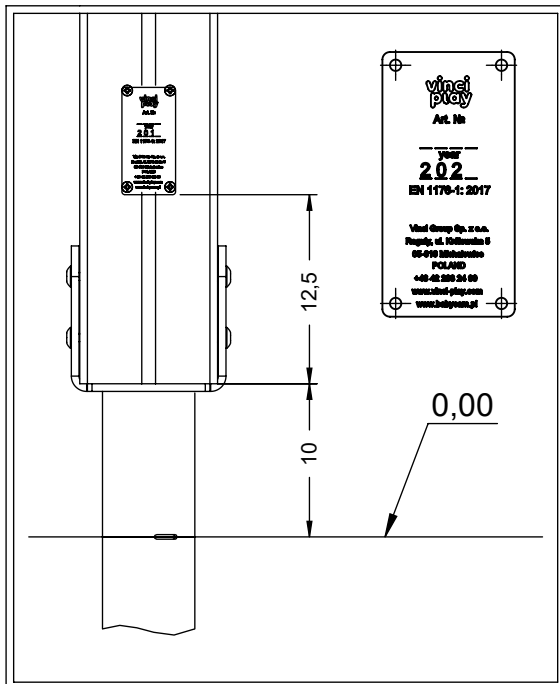
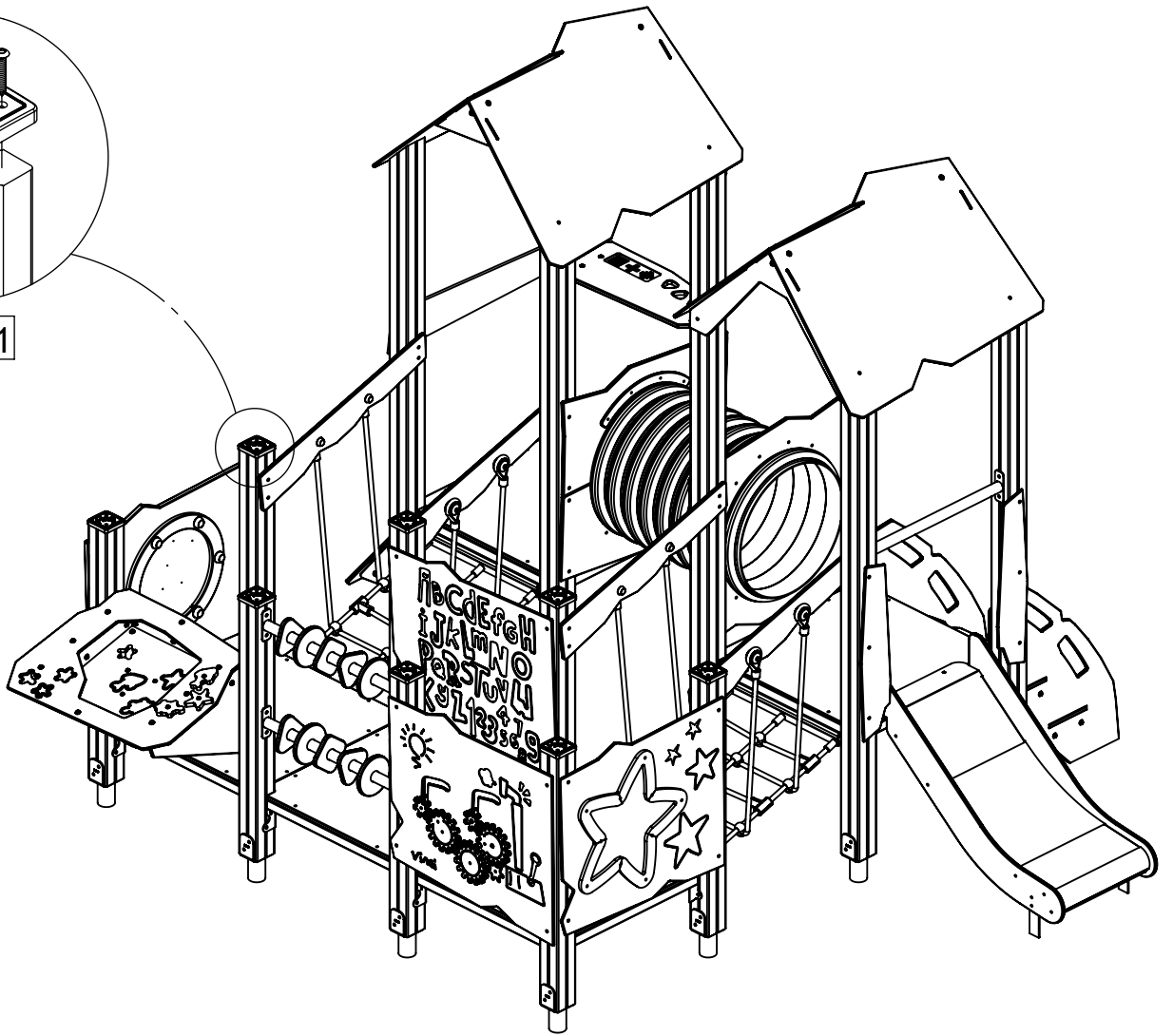
[cm]



vinci
play



8x WD1

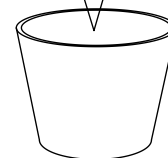


V001

vinci
play
Art. Nr.
202
EN 1176-1: 2017
Vinci Group Sp. z o.o.
Pogrzeb, ul. Polna 6
05-070 Lubraniec
POLSKA
+48 42 200 04 00
www.vinci-play.com
www.vincigrup.pl

Part No:
000000-
00000

000000-00000



[cm]



vinci
play