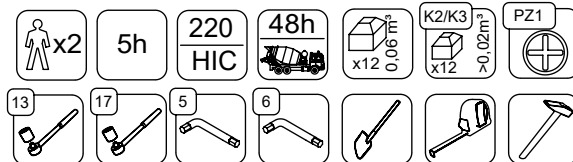
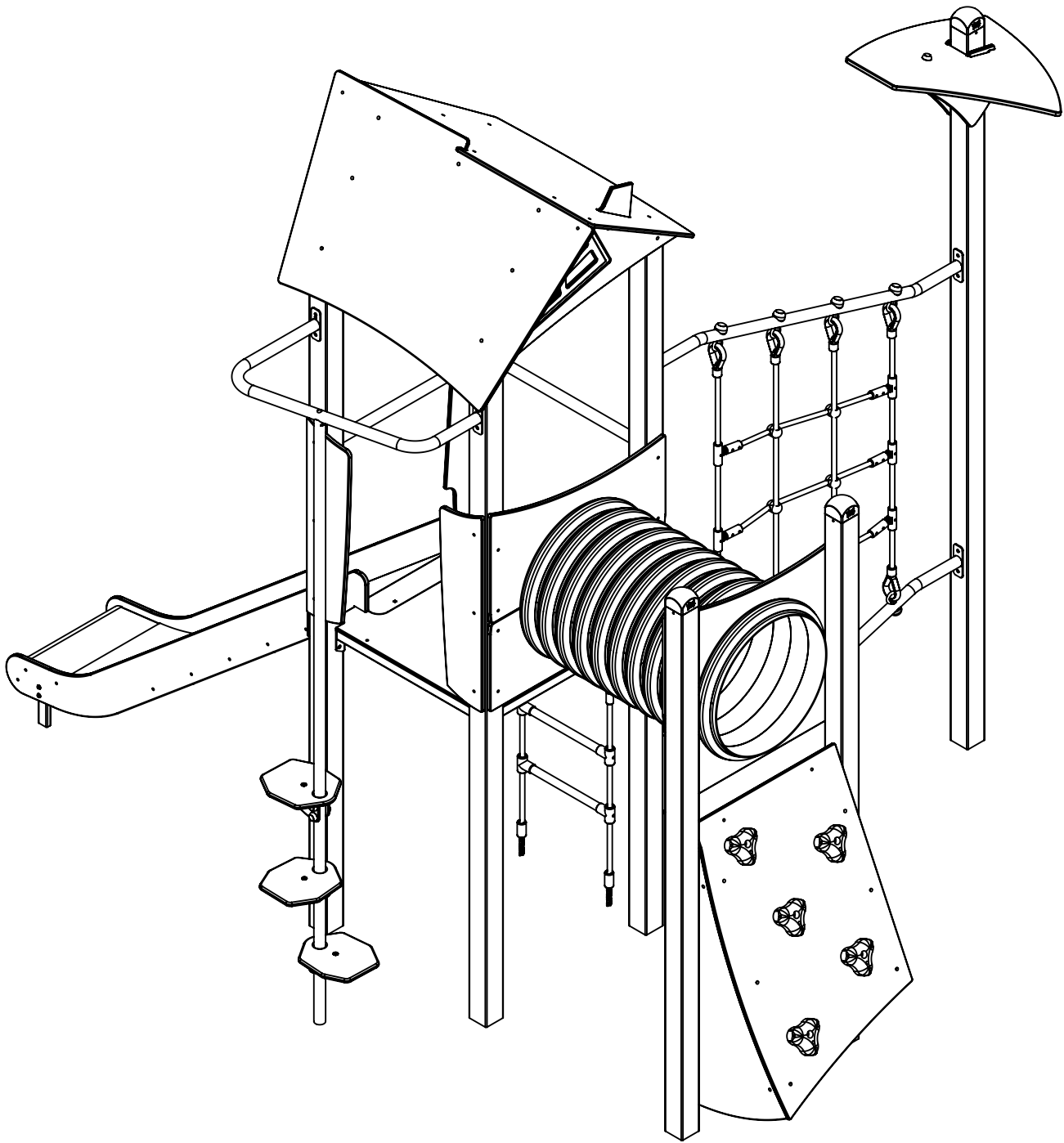


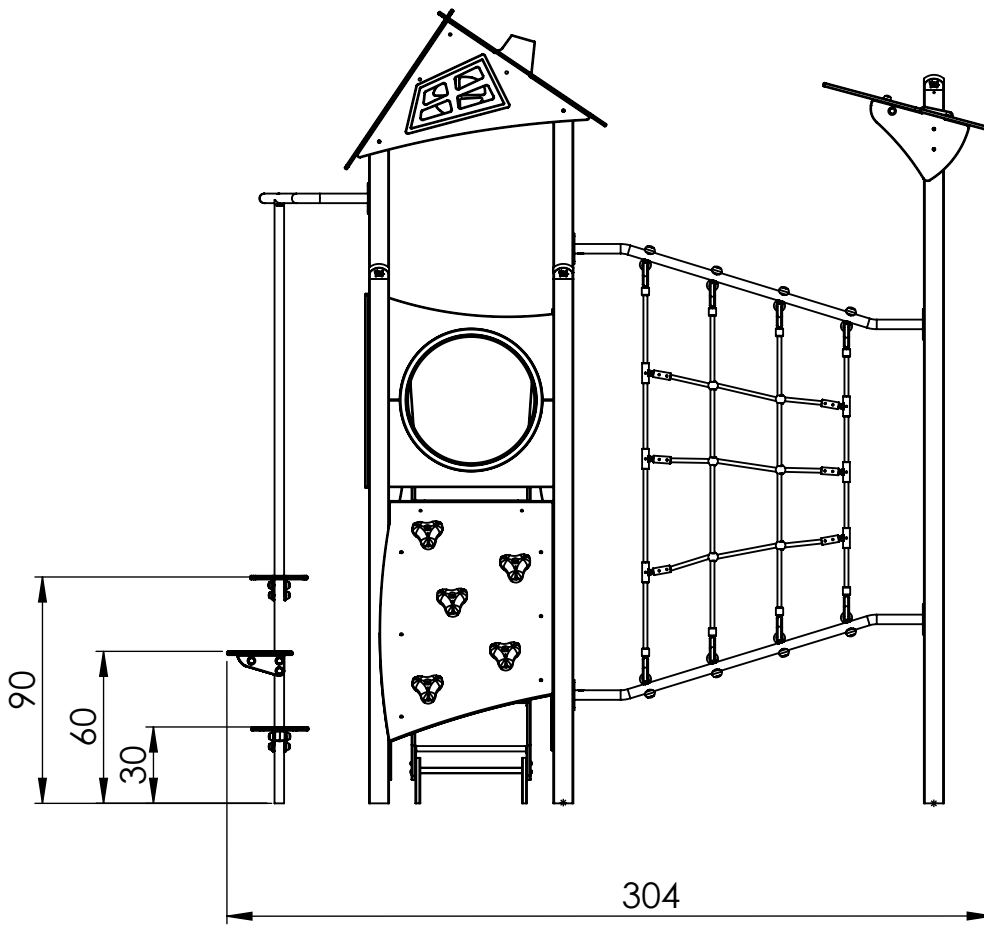
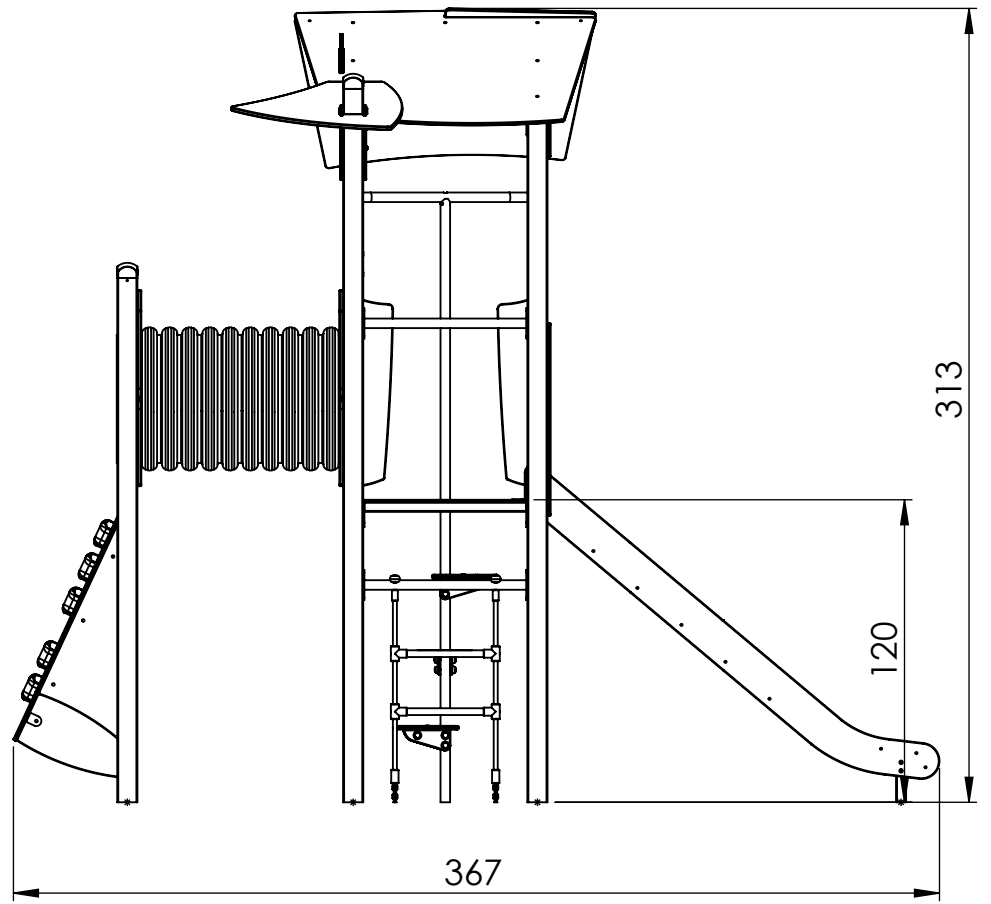
1704



[cm]

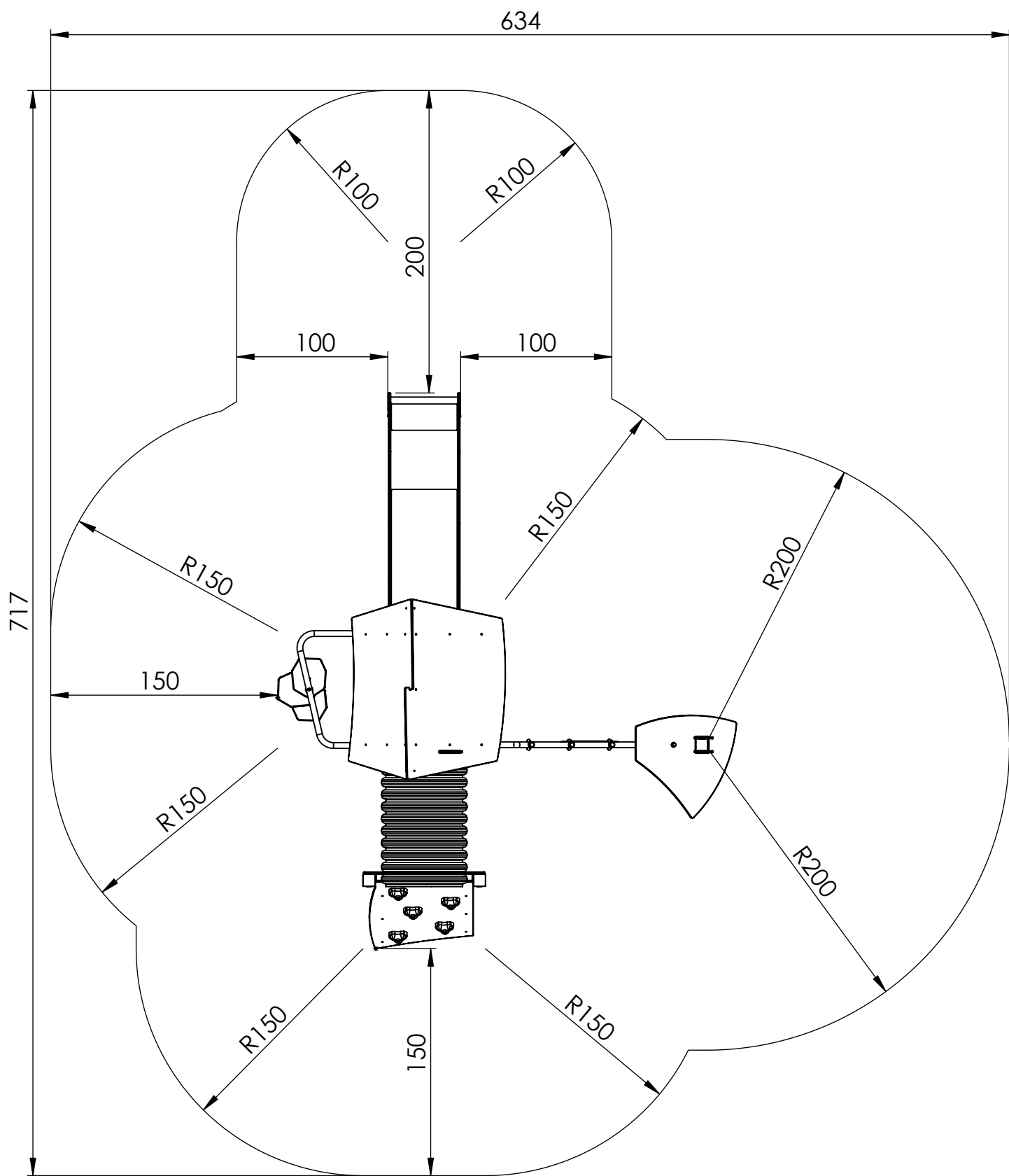
v012 / 11.02.2021
A.K.

vinci
play

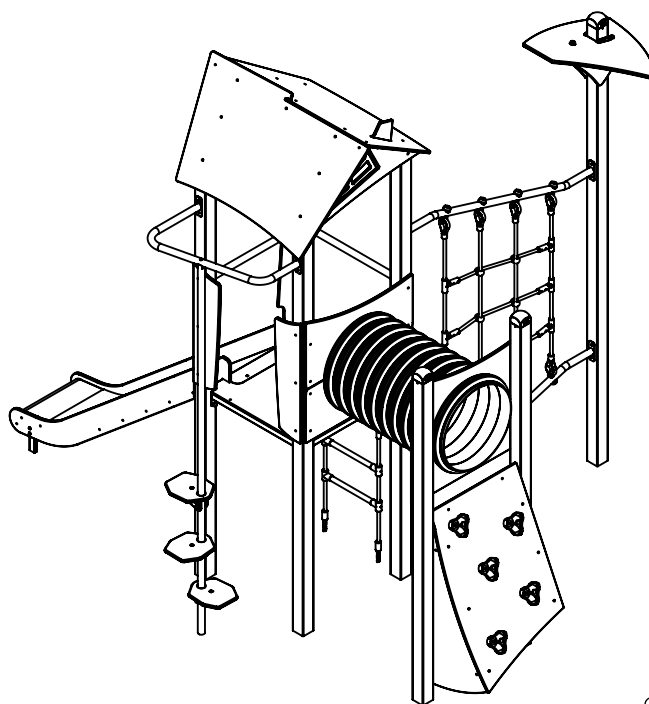
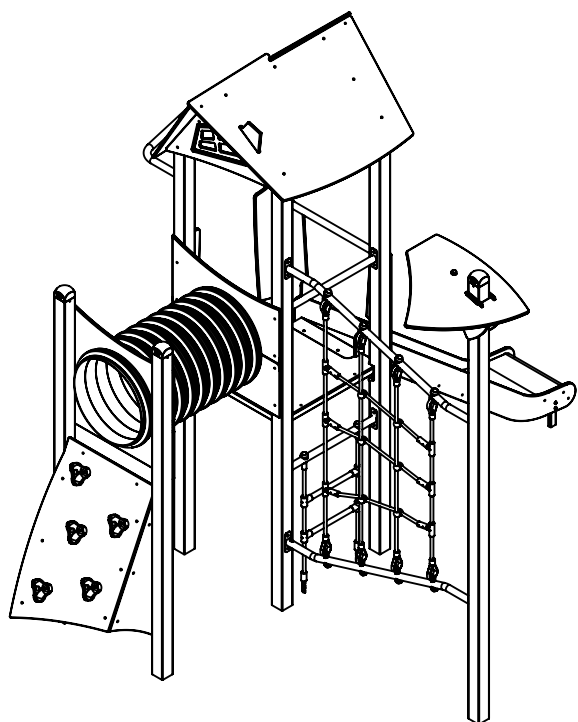
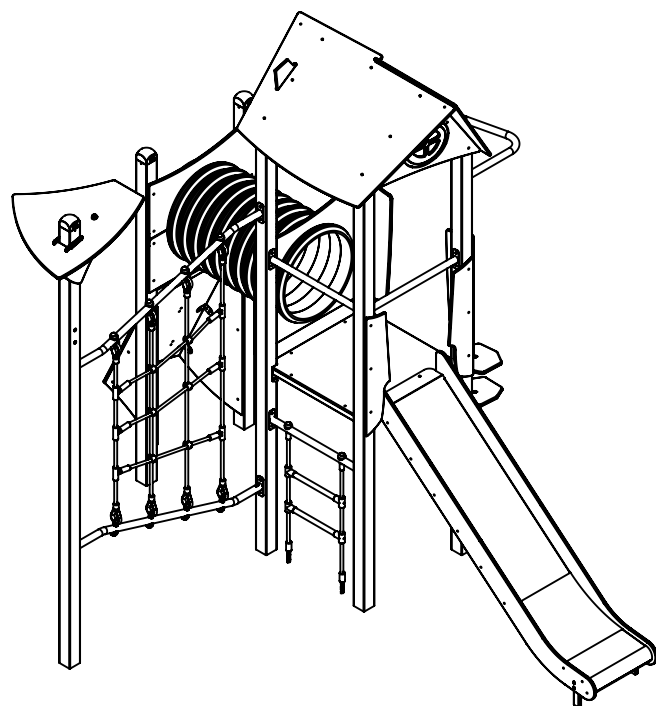
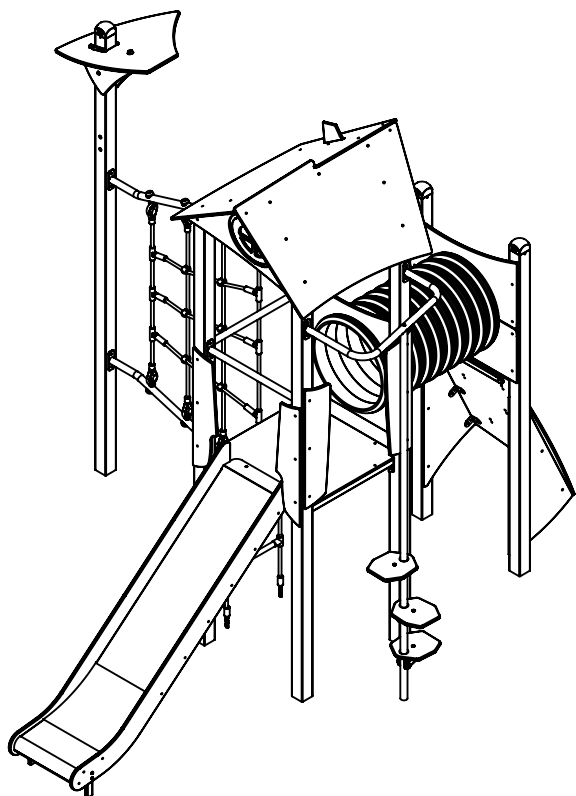


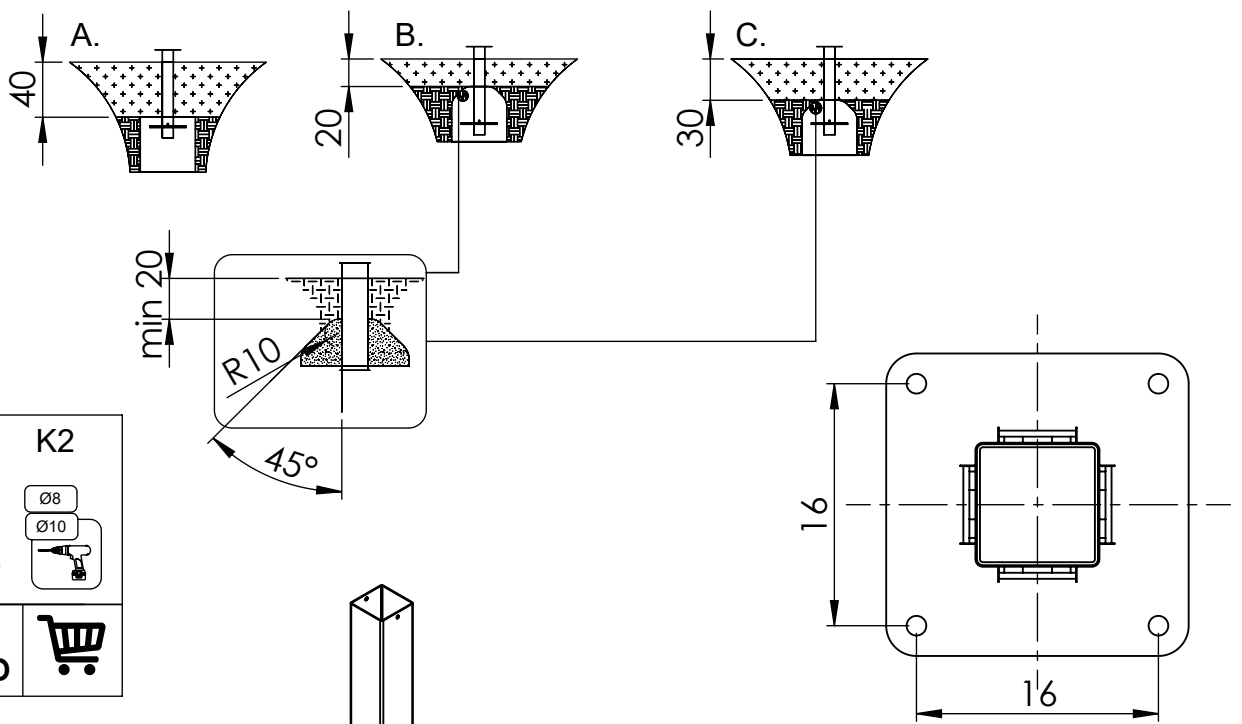
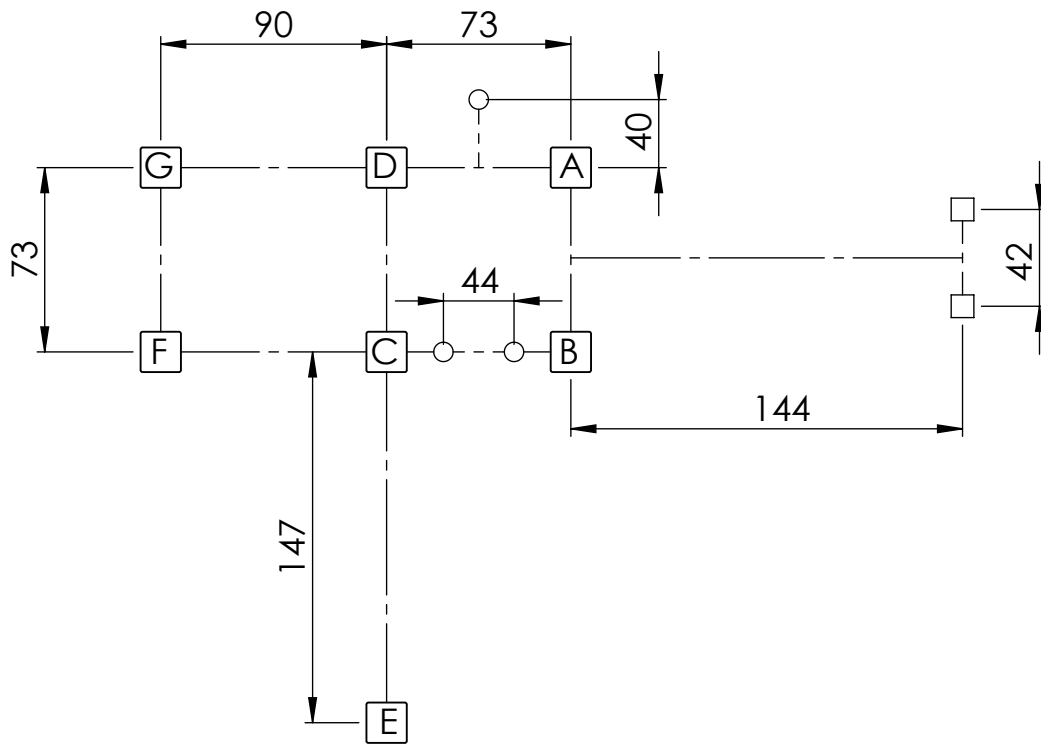
[cm]

vinci
play



[cm]





K2

M8x120 x2
M10x120 x28

Ø8
Ø10

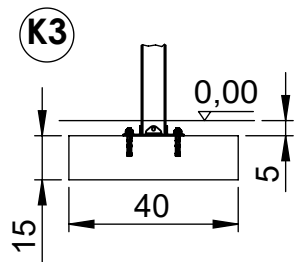
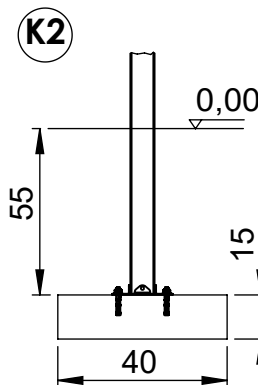
NOT INCLUDED

K3

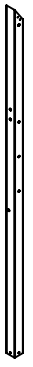
M10x120 x30

Ø8
Ø10

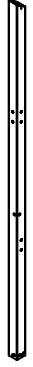
NOT INCLUDED



[cm]



1704A
x1



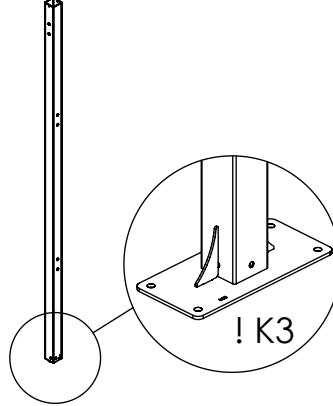
1704B
x1



1704C
x1



1704D
x1



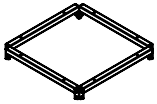
1704E
x1



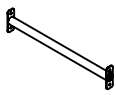
1704F
x1



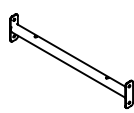
1704G
x1



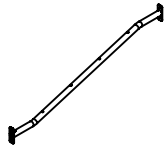
172100
x1



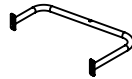
142117
x2



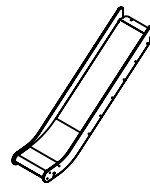
142137
x1



142138
x2



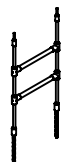
142131
x1



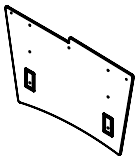
994104
x1



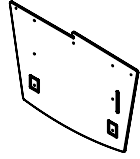
145108
x1



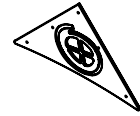
145127
x1



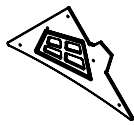
171100
x1



171101
x1



171102
x1



171103
x1



171115
x2



171113
x1



021146
x2



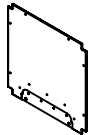
021149
x1

S1



171122
x1

S6



171234
x1



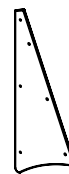
171233
x1



994118
x3



171109
x1



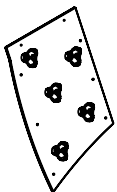
171110
x1



171112
x2



171164
x2



171111
x1



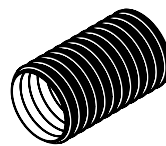
171160
x2





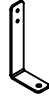
171161
x2





171146
x1



996132
x1

| | | |
|---|---|---|
| K2, K3 | K1, K2 | K3 |
|  |  |  |
| b231 x6 | b219-2 x2 | P78-3 x2 |

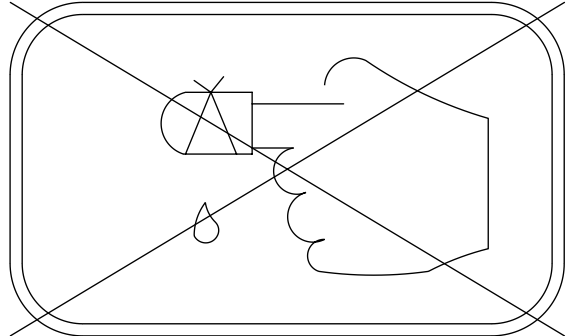
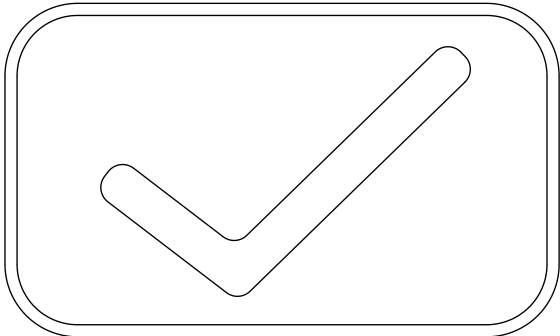
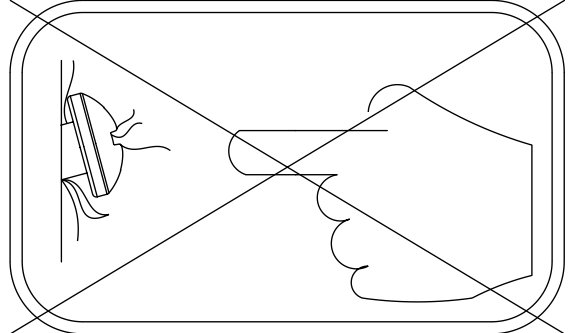
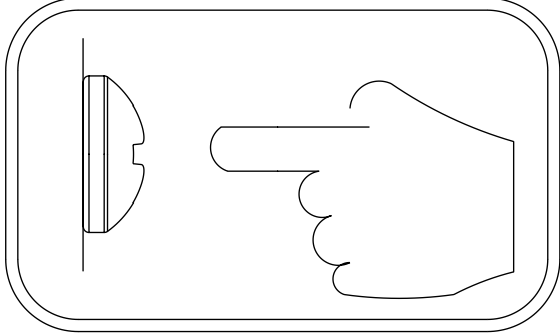
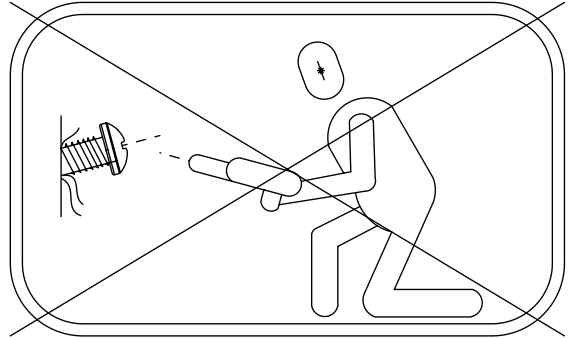
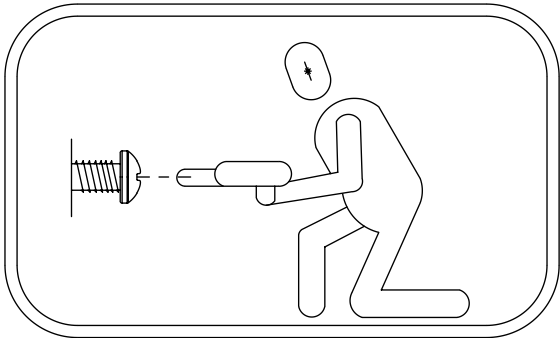
| | |
|---|---|
| K1,K2 | K3 |
|  |  |
| 992122 x1 | 992123 x1 |

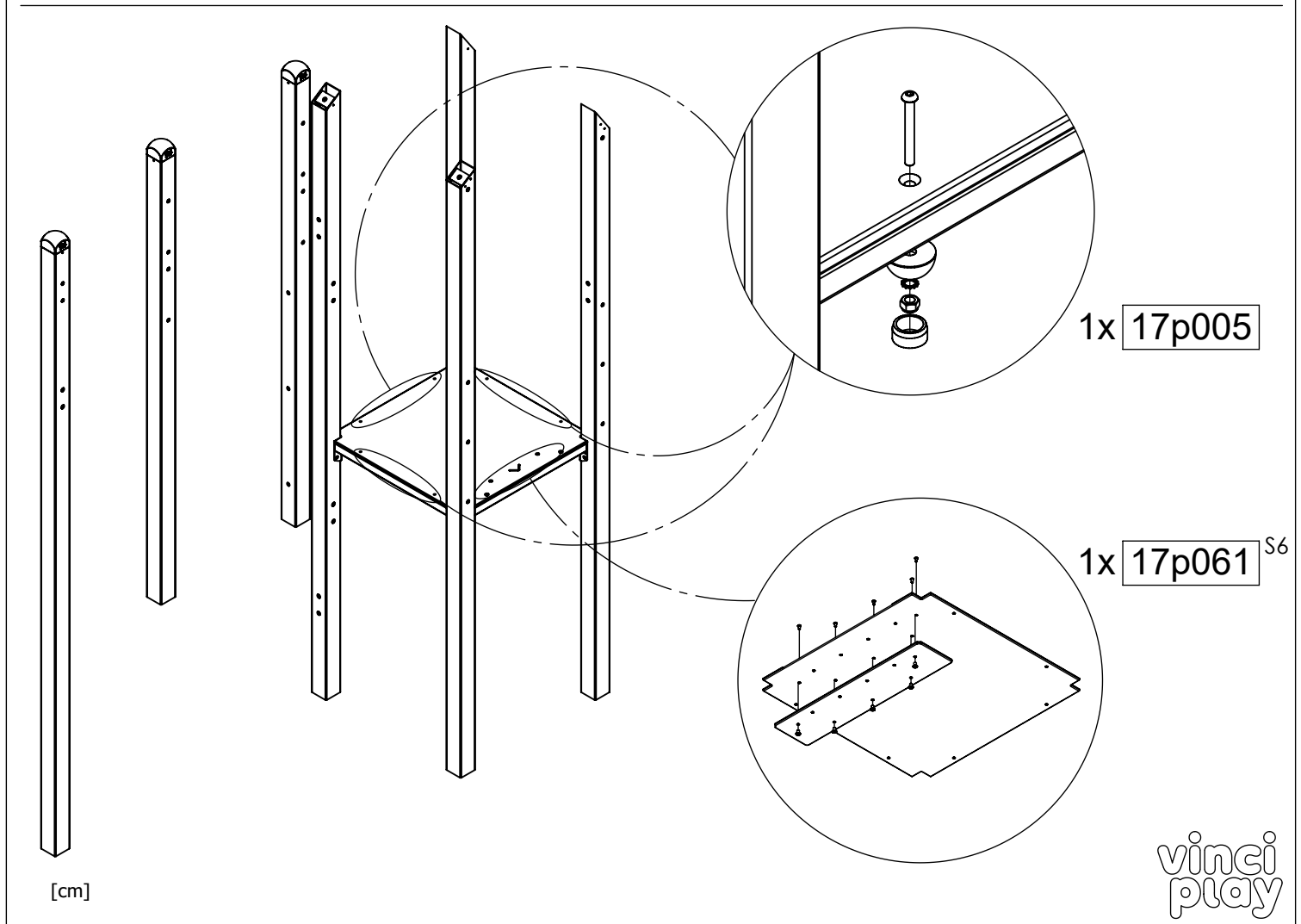
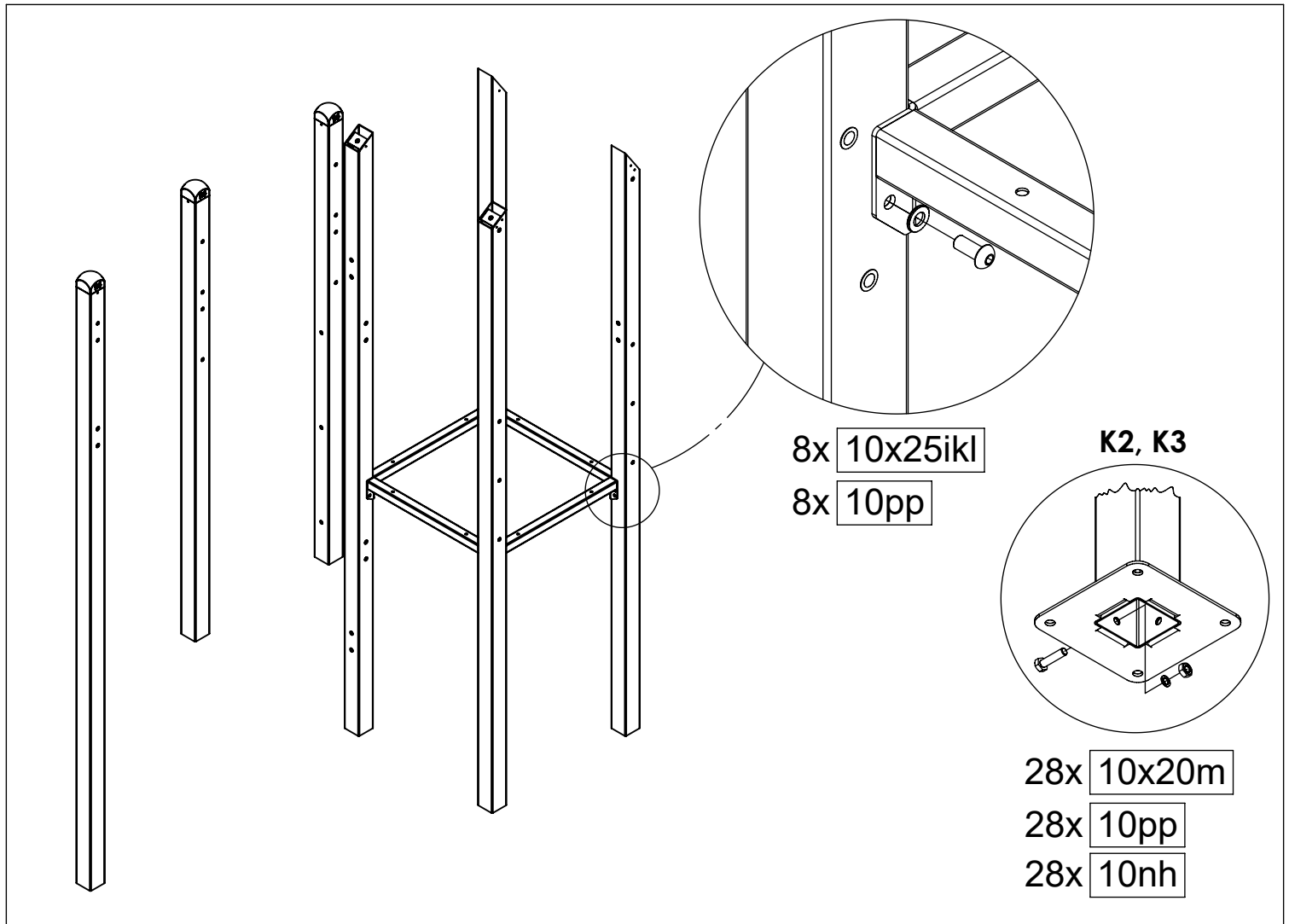
| Qty. | ST/INOX |
|------|-----------|
| 28 | 10 pp** |
| 28 | 10 nh** |
| 28 | 10x20 m** |
| 32 | 10x25 ikl |
| 12 | 10x30 ikl |
| 8 | 10 pp |
| 12 | 8x25 ikl |
| 22 | 8x30 ikl |
| | |
| 1 | 17e034*** |
| 1 | 17e035* |
| 1 | 17e038** |
| 1 | 17e012 |
| 2 | 17e014 |
| 1 | 17e039 |
| 2 | 17e052 |
| | |
| 1 | GL** |
| 1 | V001 |

| Qty. | HDPE |
|------|--------|
| 1 | 17c018 |
| 1 | 17c020 |
| 1 | 17c032 |

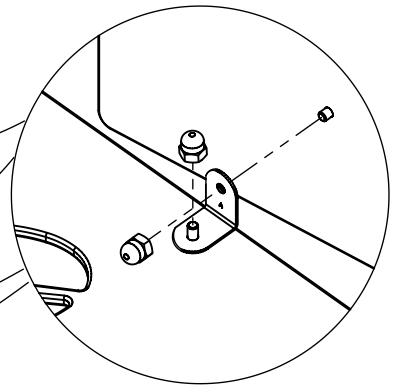
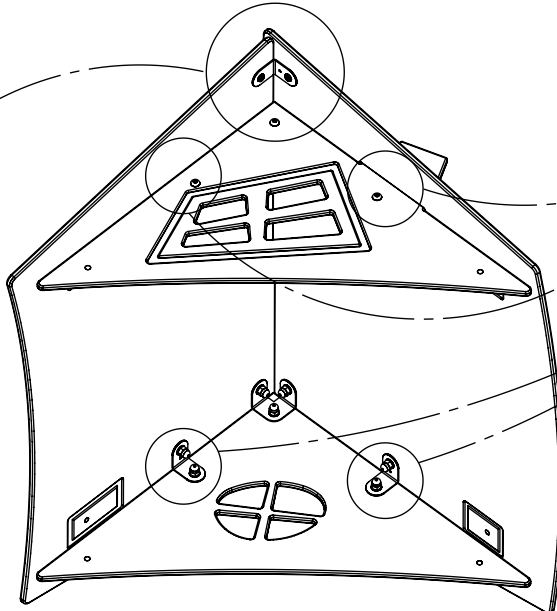
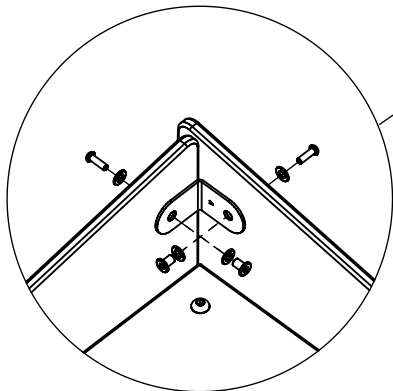
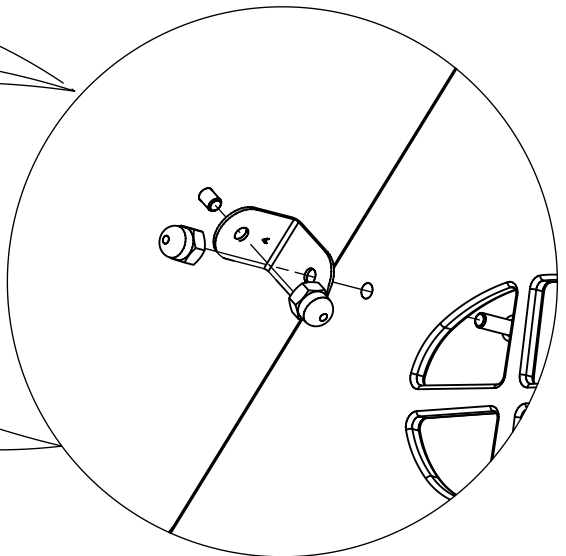
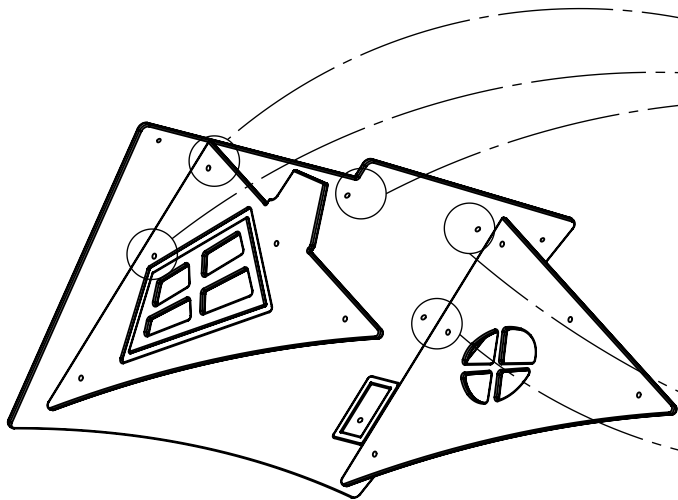
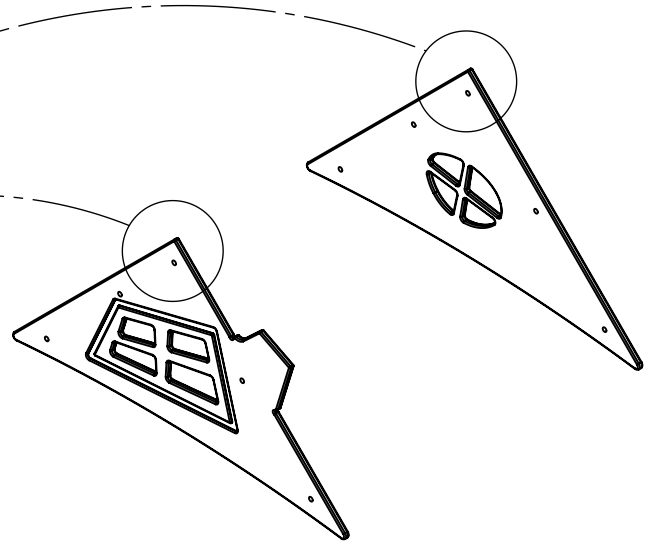
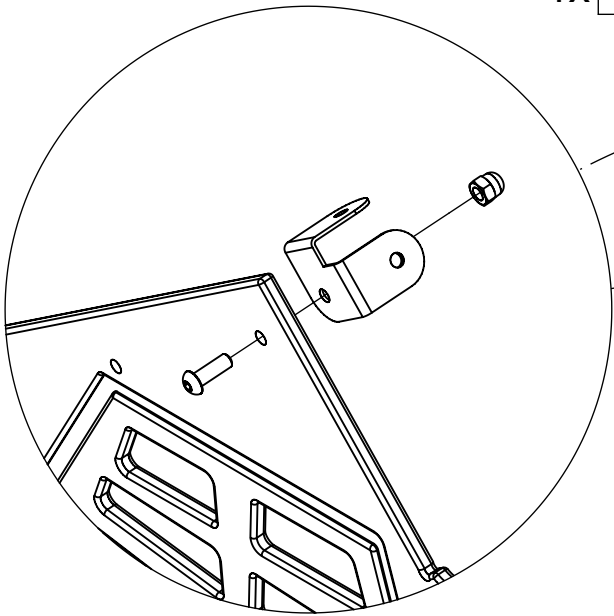
| Qty. | HPL |
|------|------------|
| 1 | 17p005 |
| 1 | 17p013 |
| 1 | 17p017(s1) |
| 1 | 17p019(s6) |
| 1 | 17p061(s6) |

*K2
**K2, K3
***K1, K3



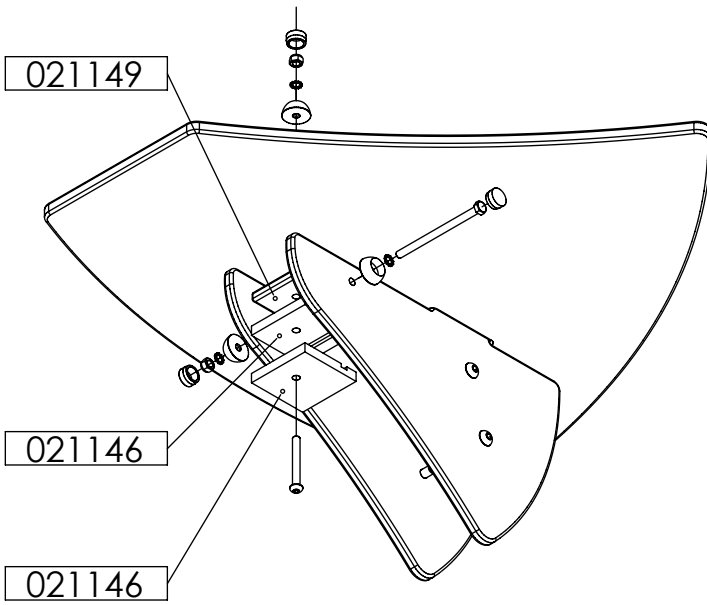
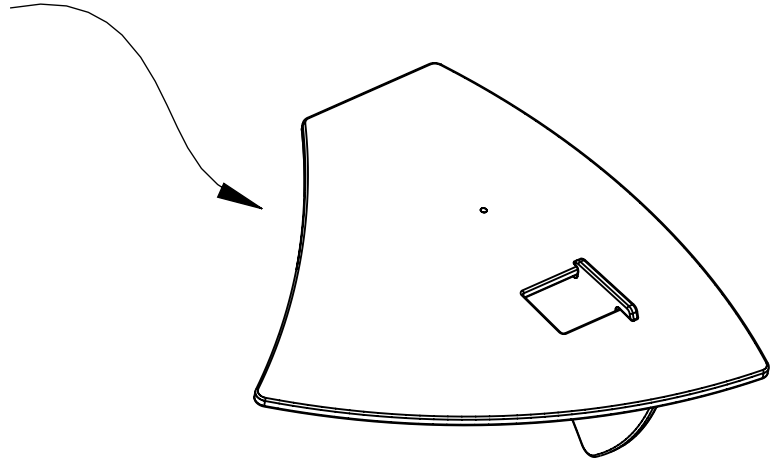
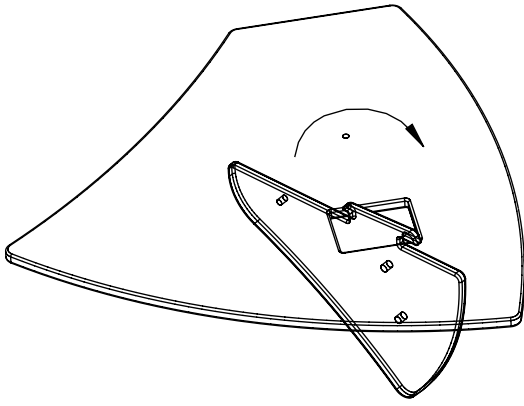


1x 17c020

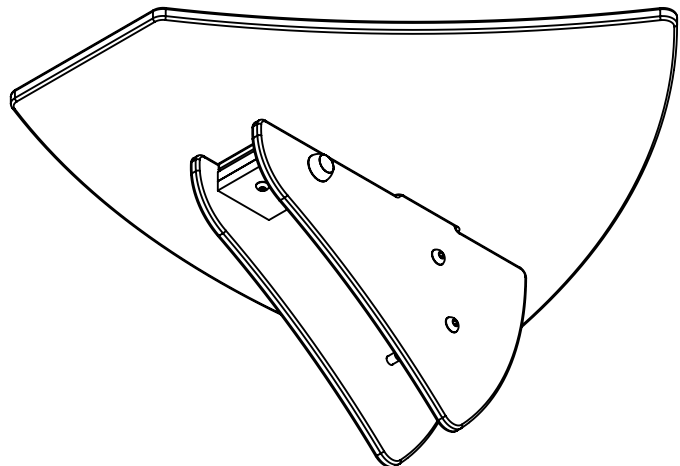


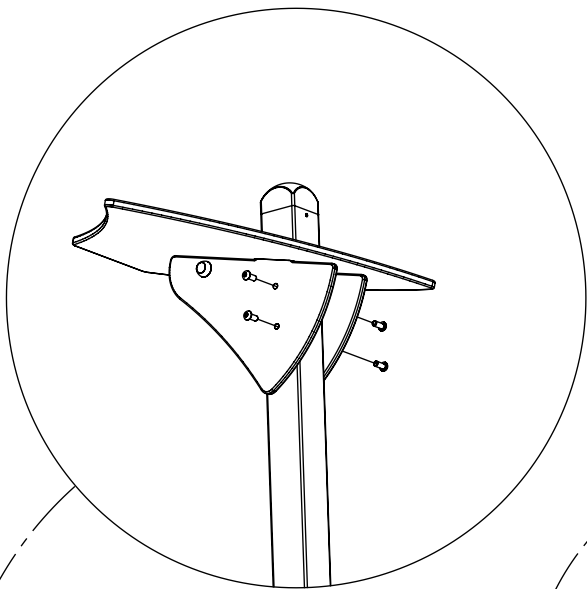
[cm]

vinci
play

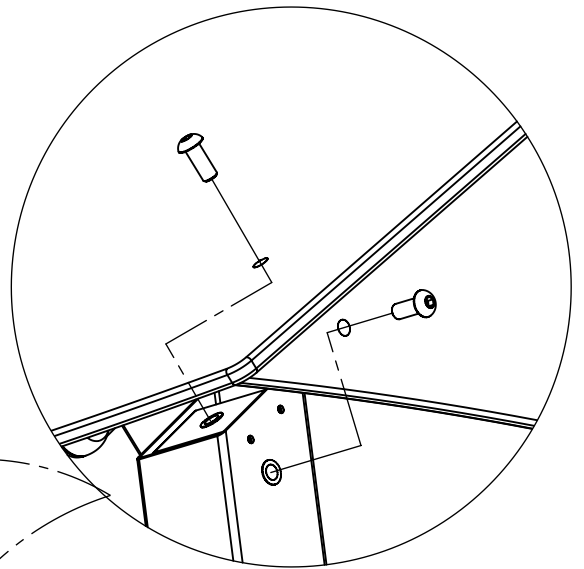


1x 17c032

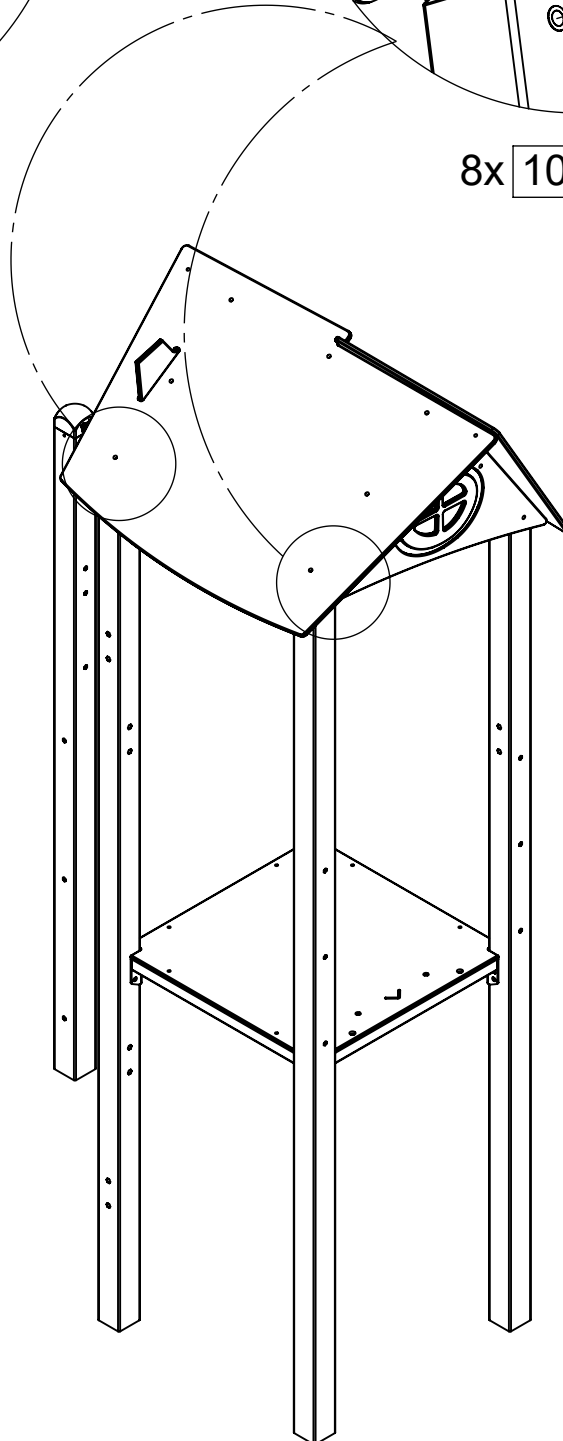
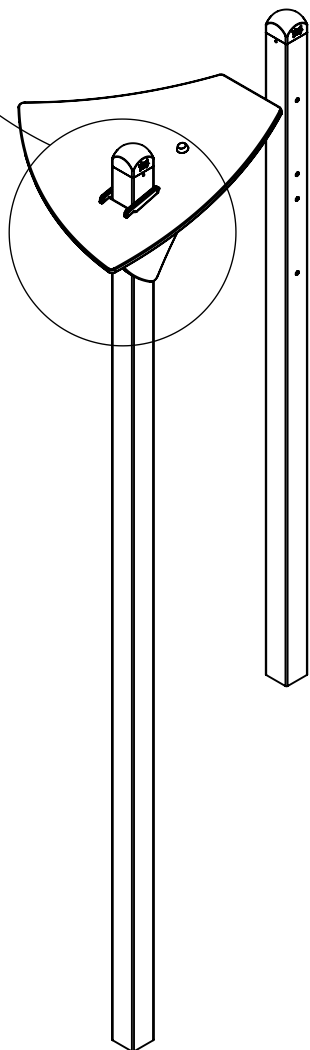




4x 10x30i|k|

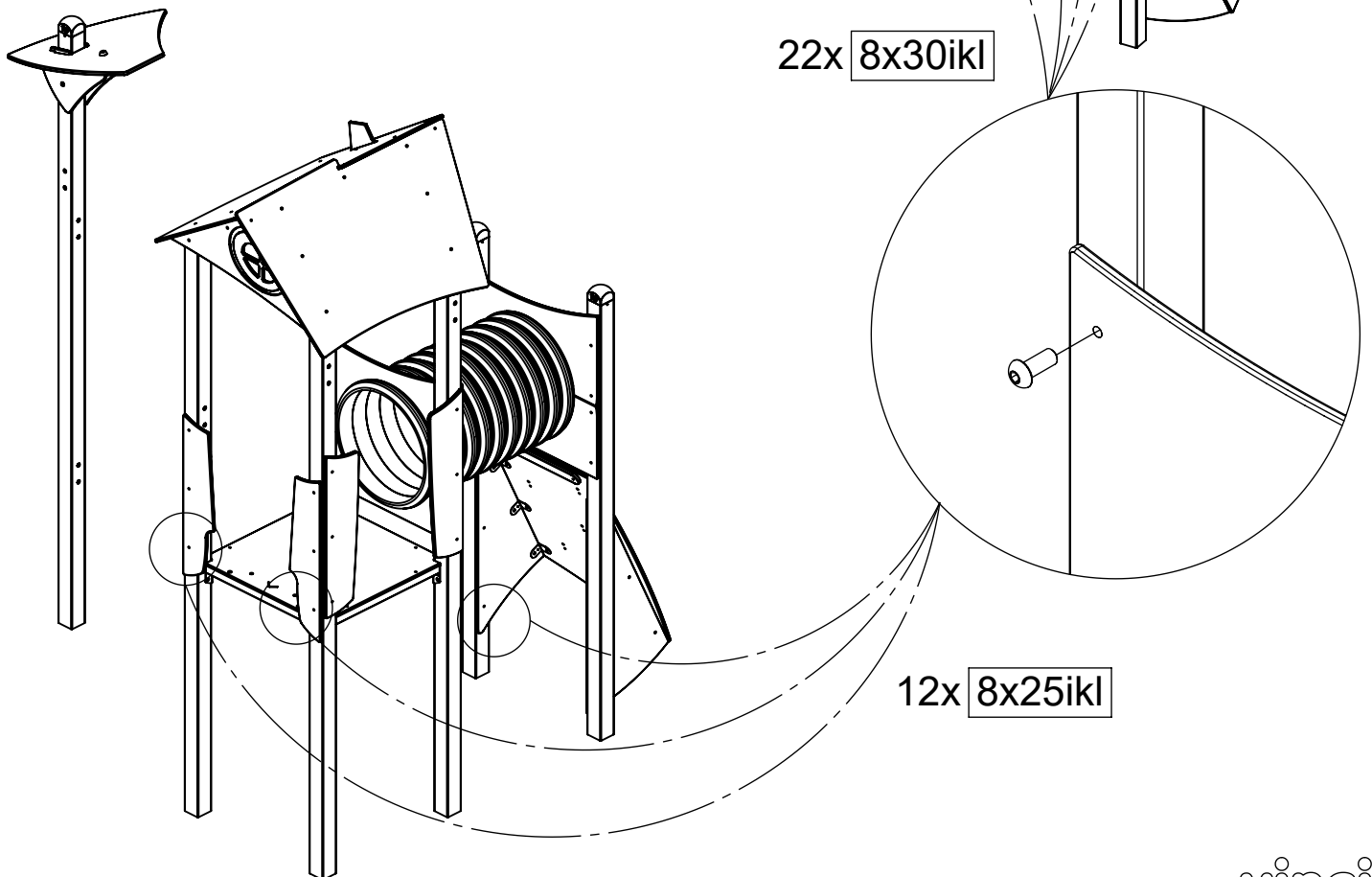
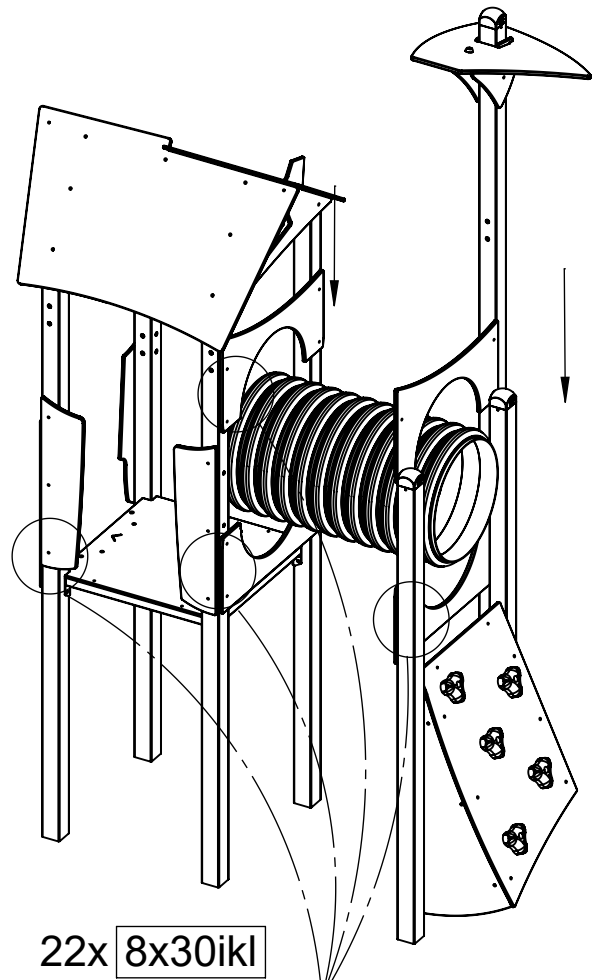
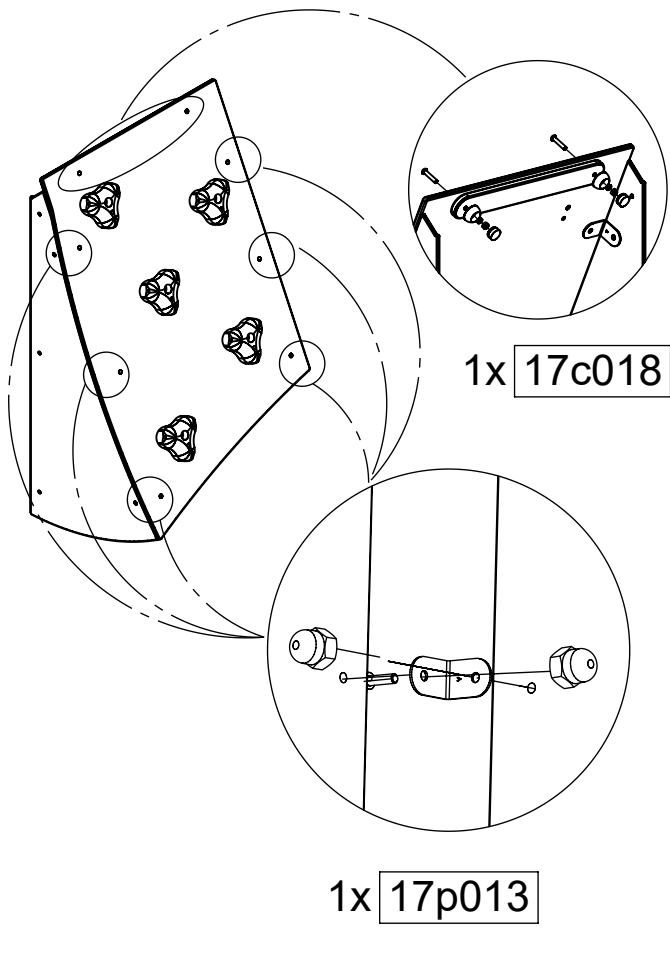


8x 10x30i|k|



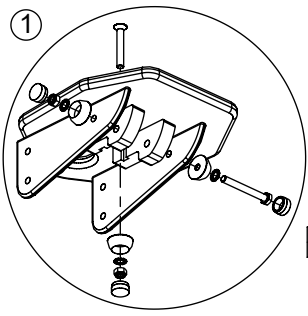
[cm]

vinci
play



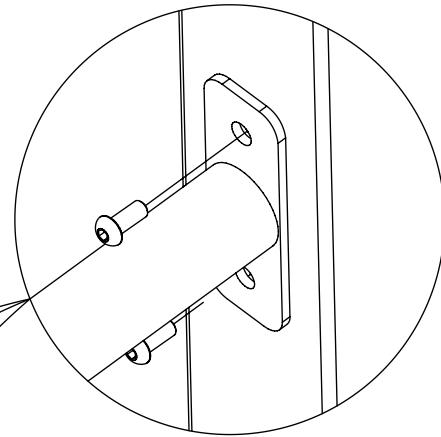
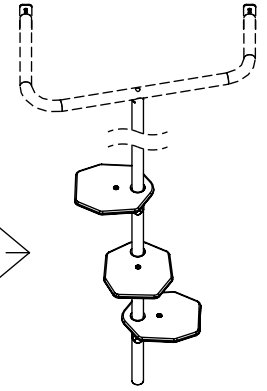
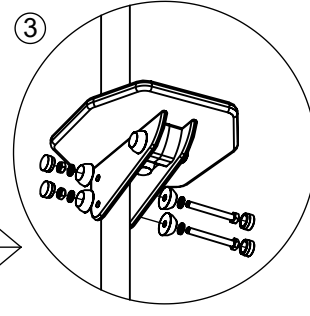
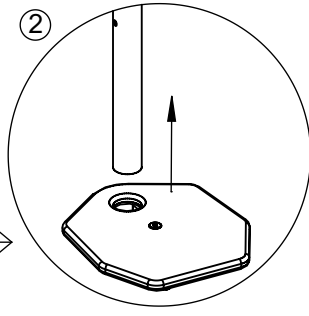
[cm]

vinci
play

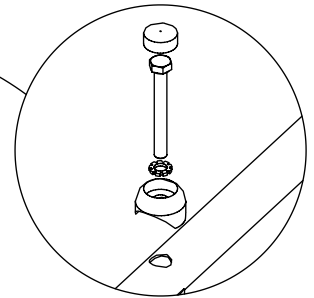
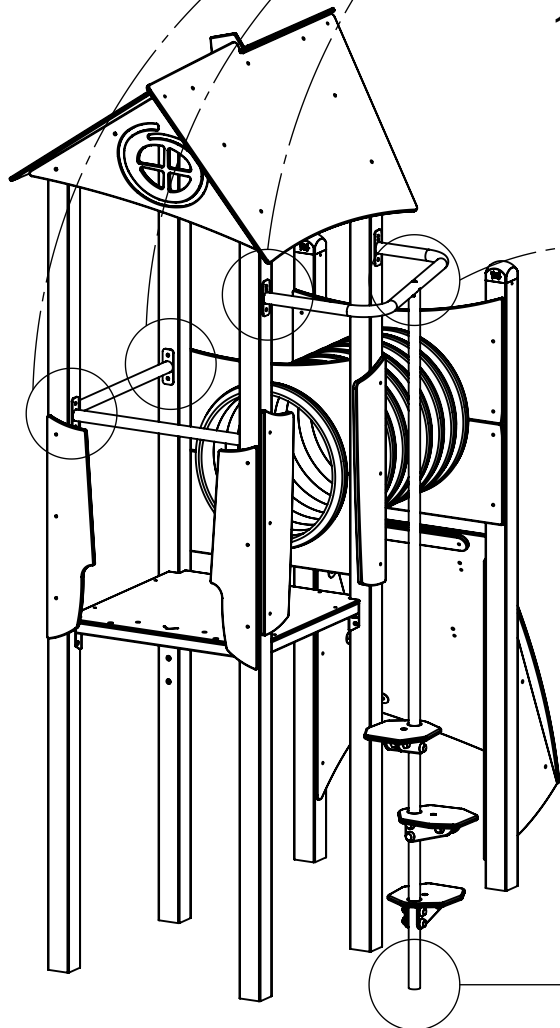
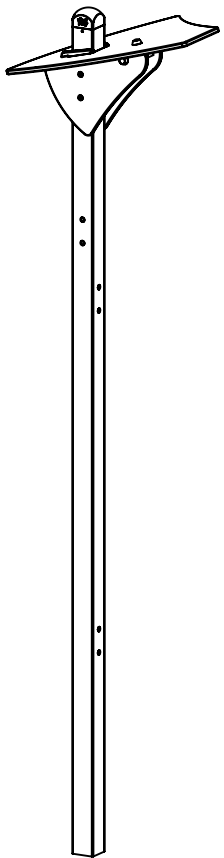


3x 17p033

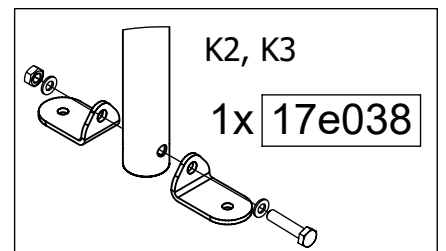
3x 17p035



12x 10x25ikl



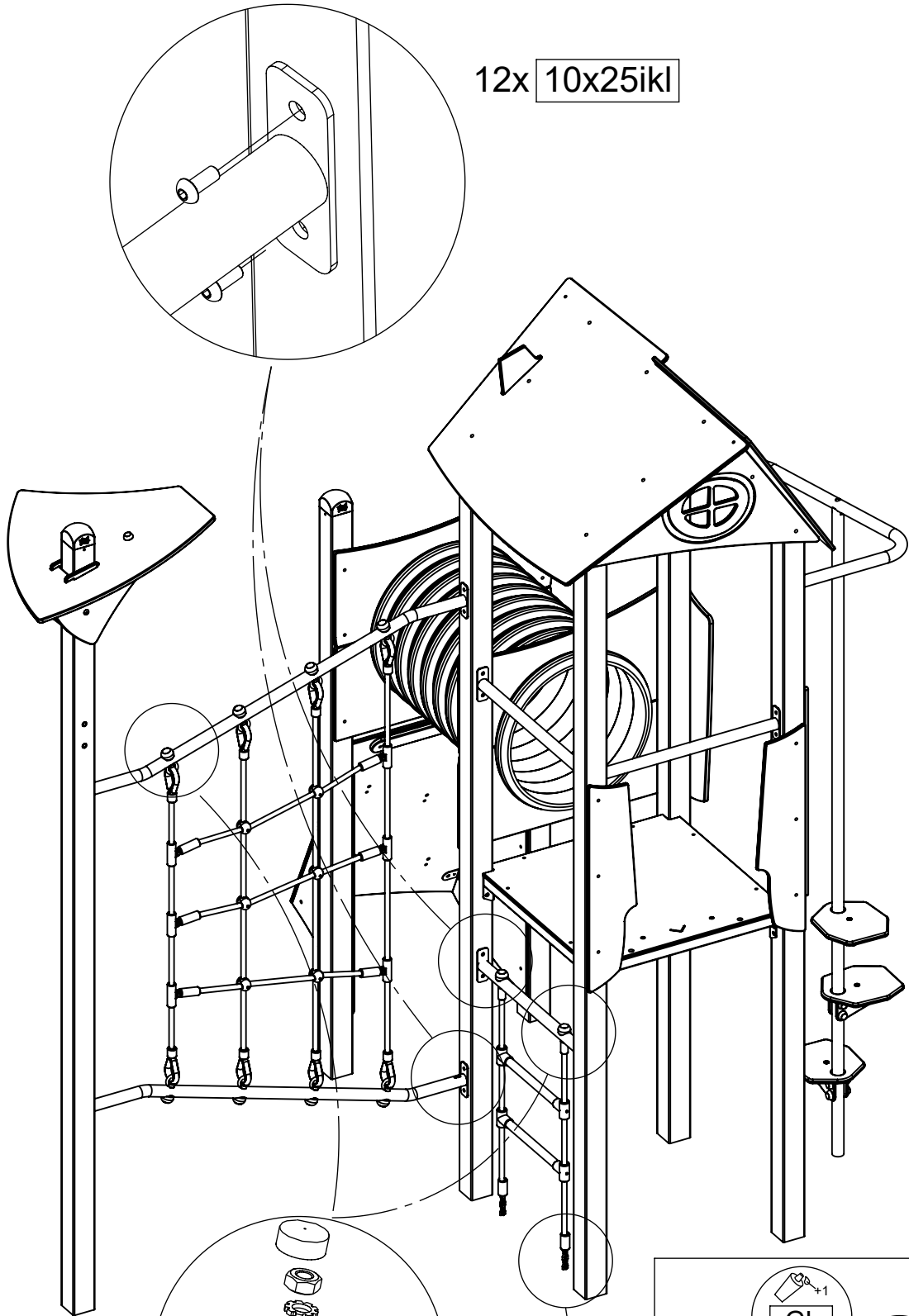
1x 17e039



[cm]

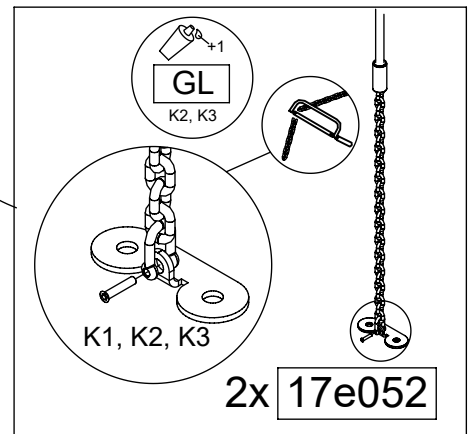
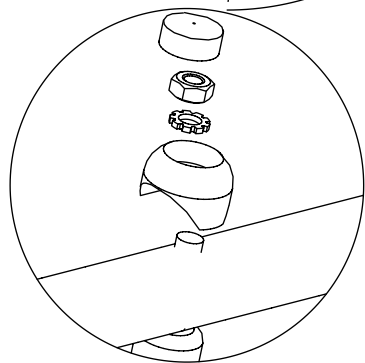
vinci
play

12x 10x25ikl



1x 17e012

2x 17e014

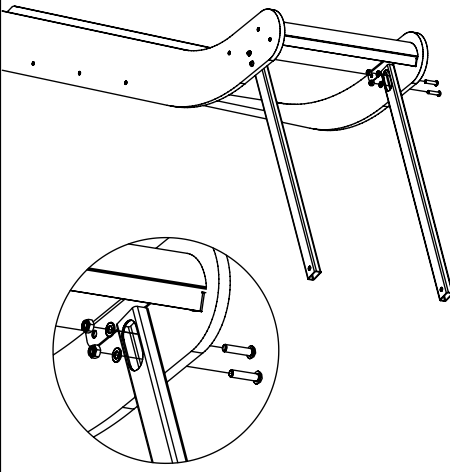


2x 17e052

[cm]

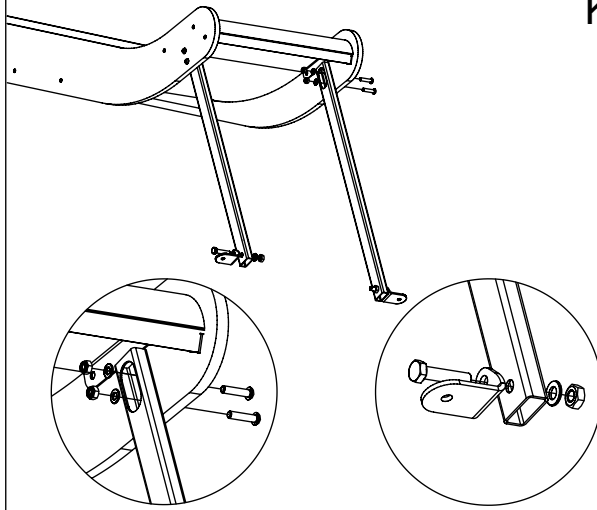
vinci
play

K1



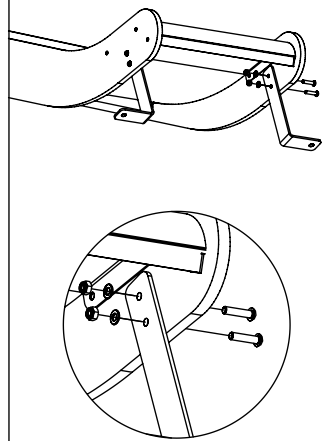
1x 17e034

K2

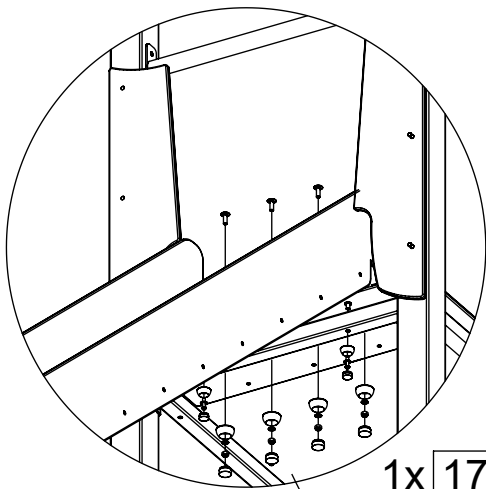


1x 17e035

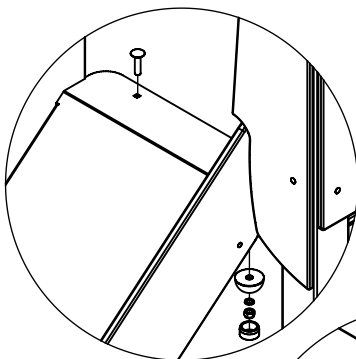
K3



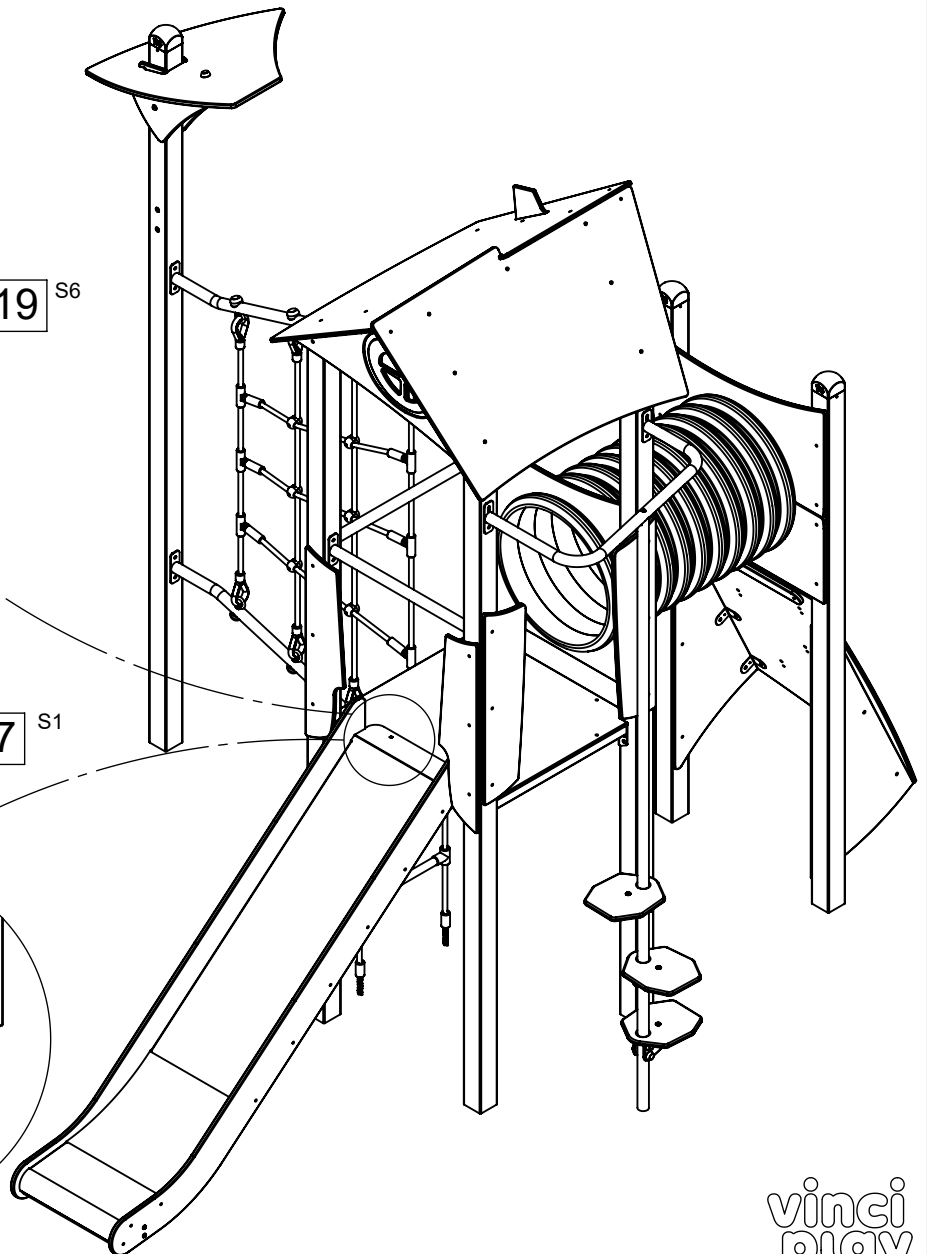
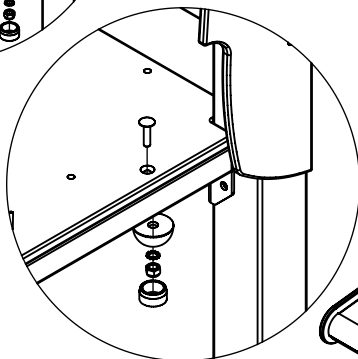
1x 17e034



1x 17p019^{S6}

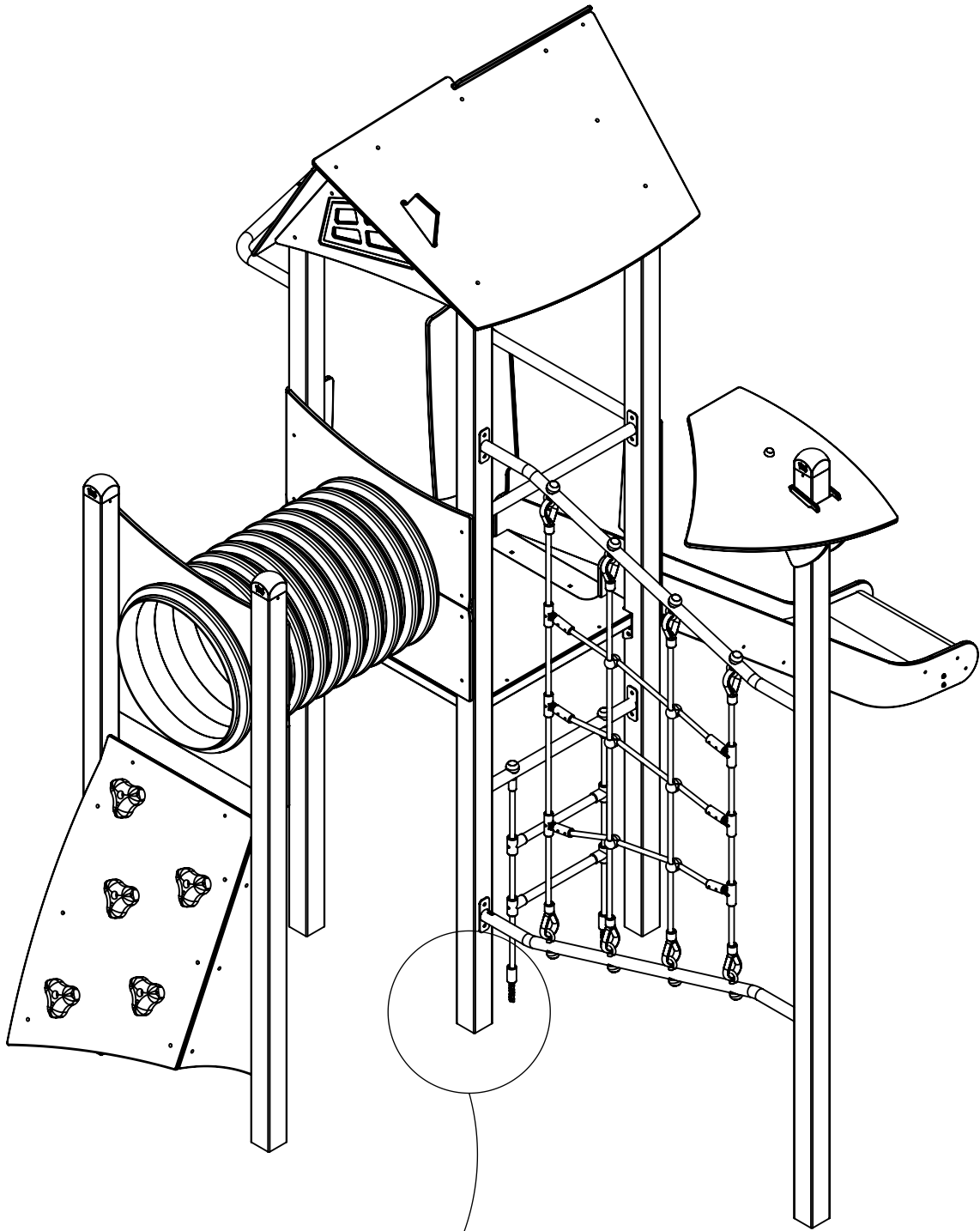


1x 17p017^{S1}

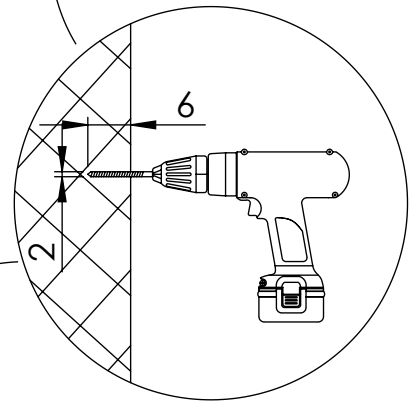
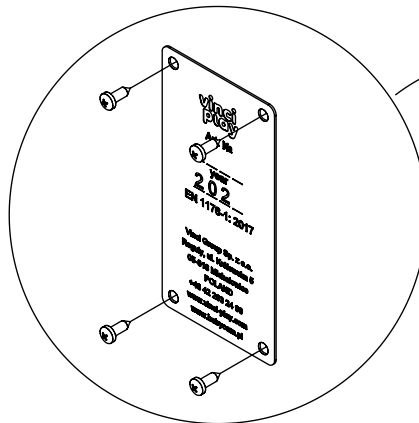
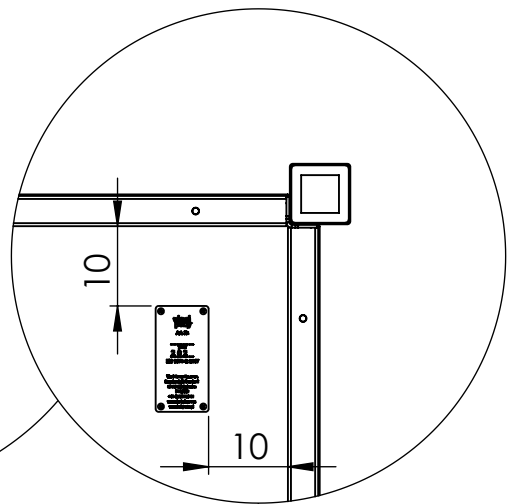
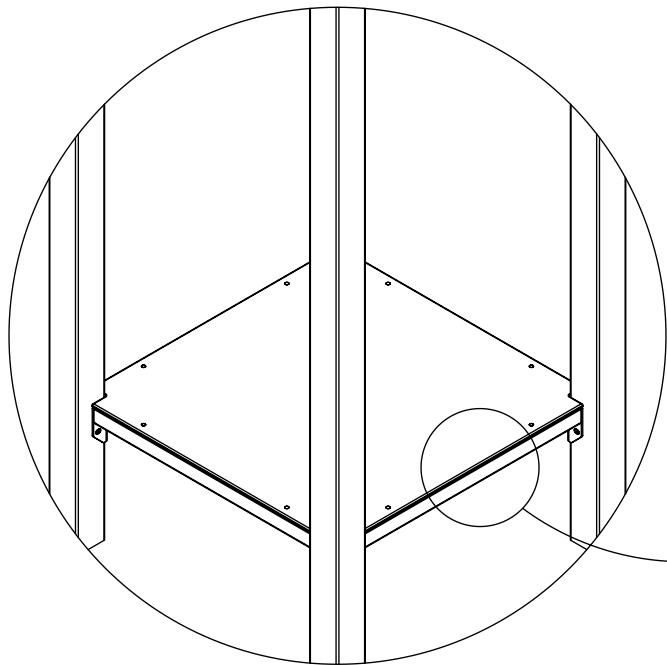


[cm]

vinci
play



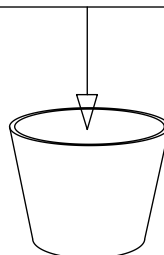
[cm]



V001

Part No:
000000-
00000

000000-00000



[cm]

vinci
play