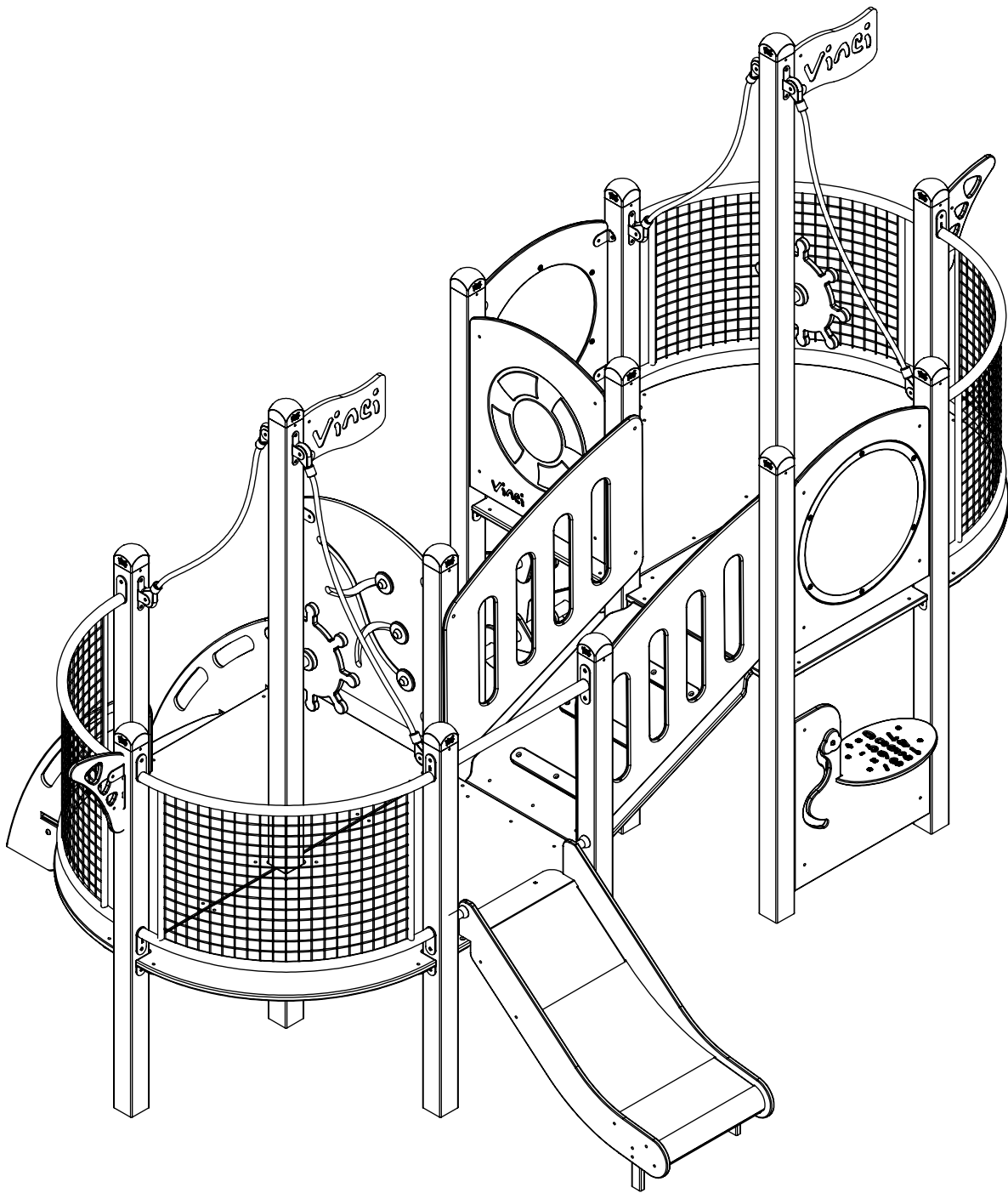
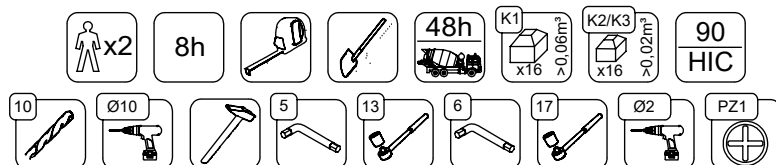


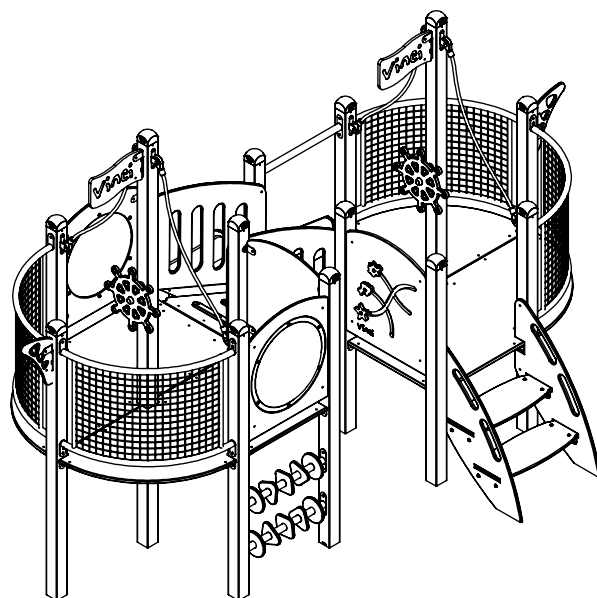
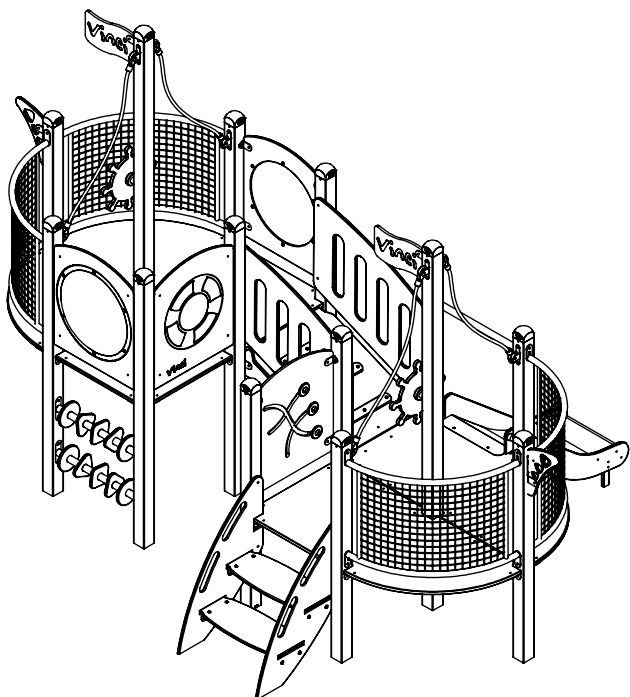
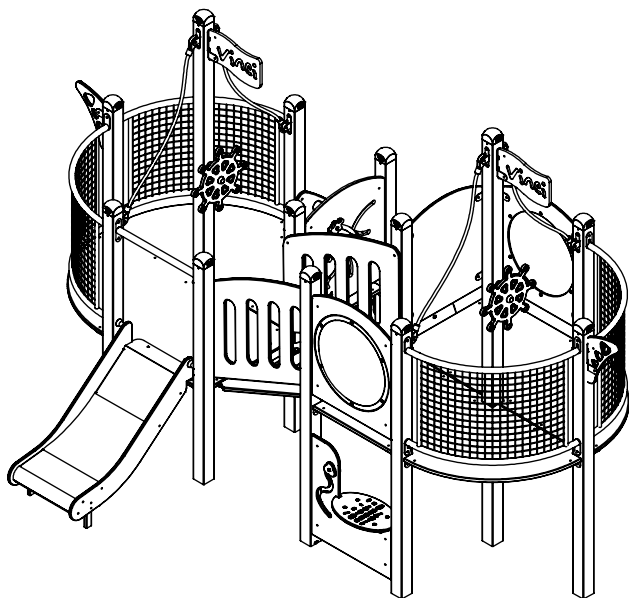
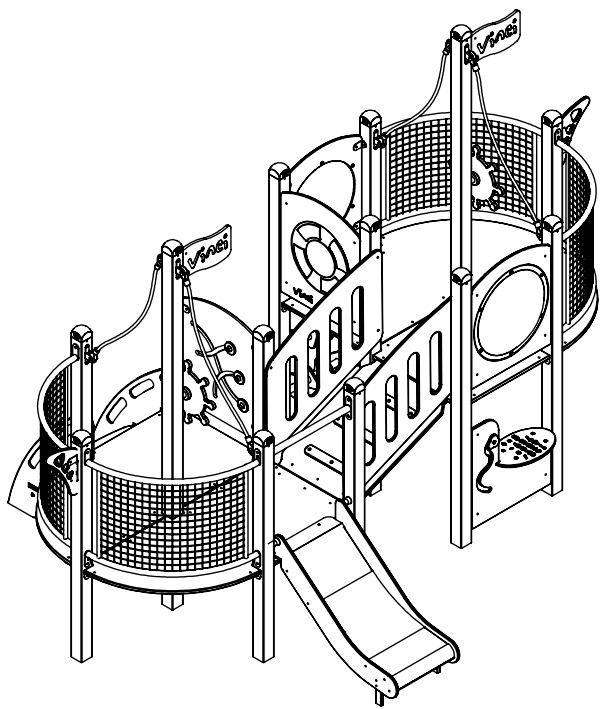
0113

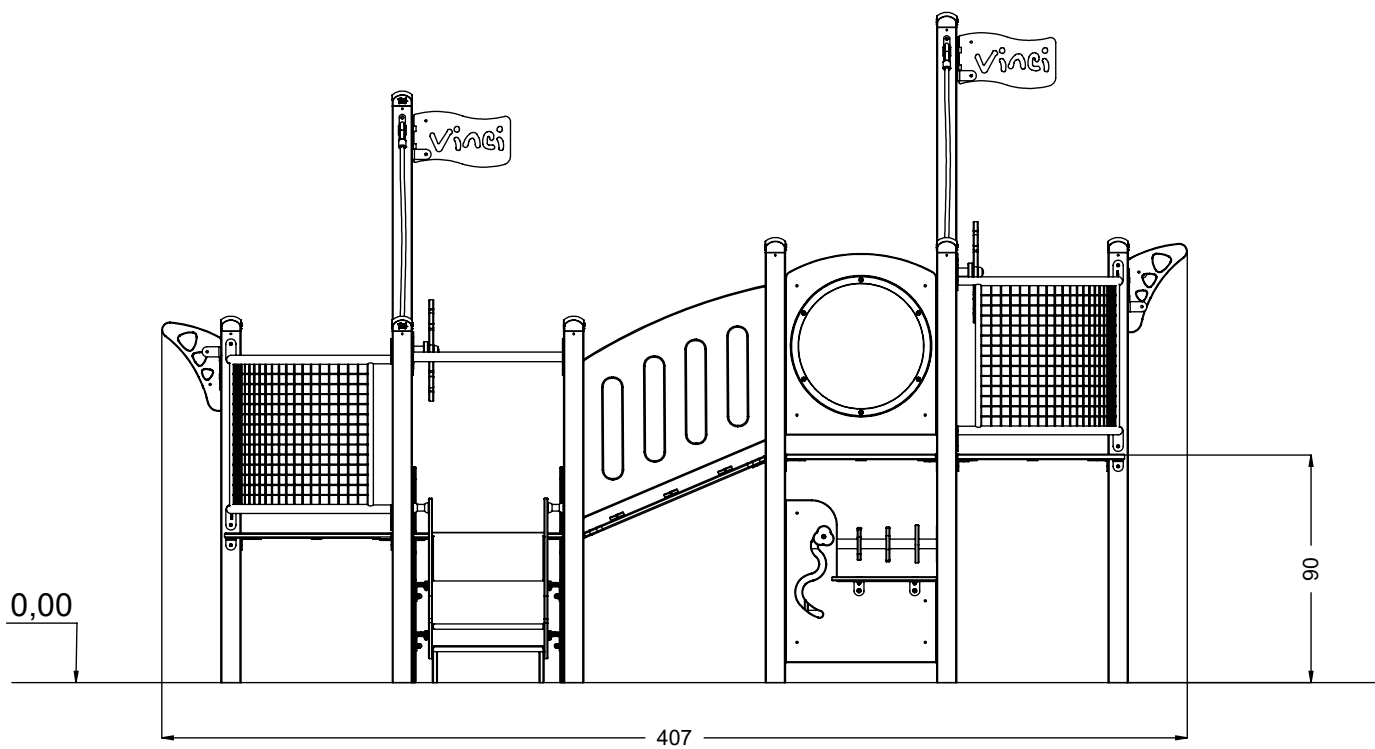
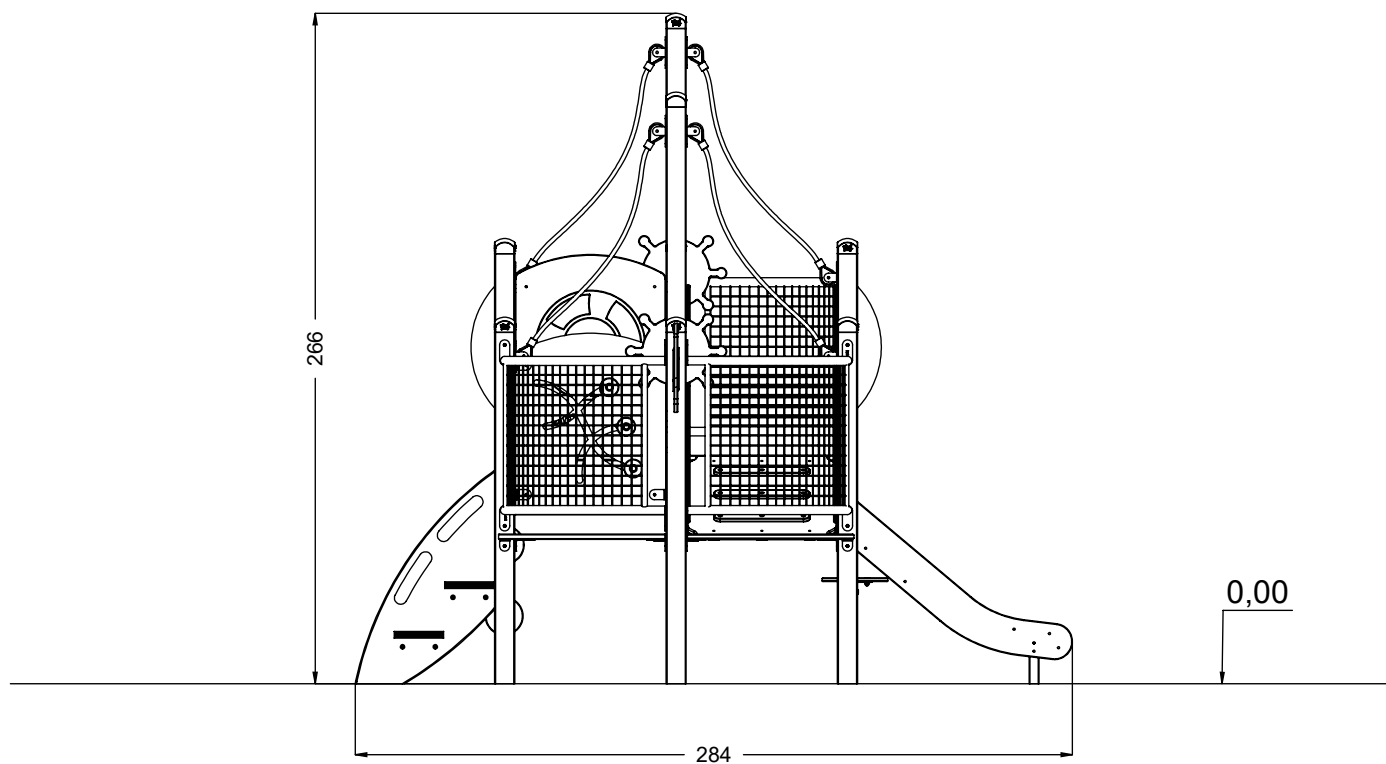


v011
12.08.2020
A. P.
[cm]



vinci
play

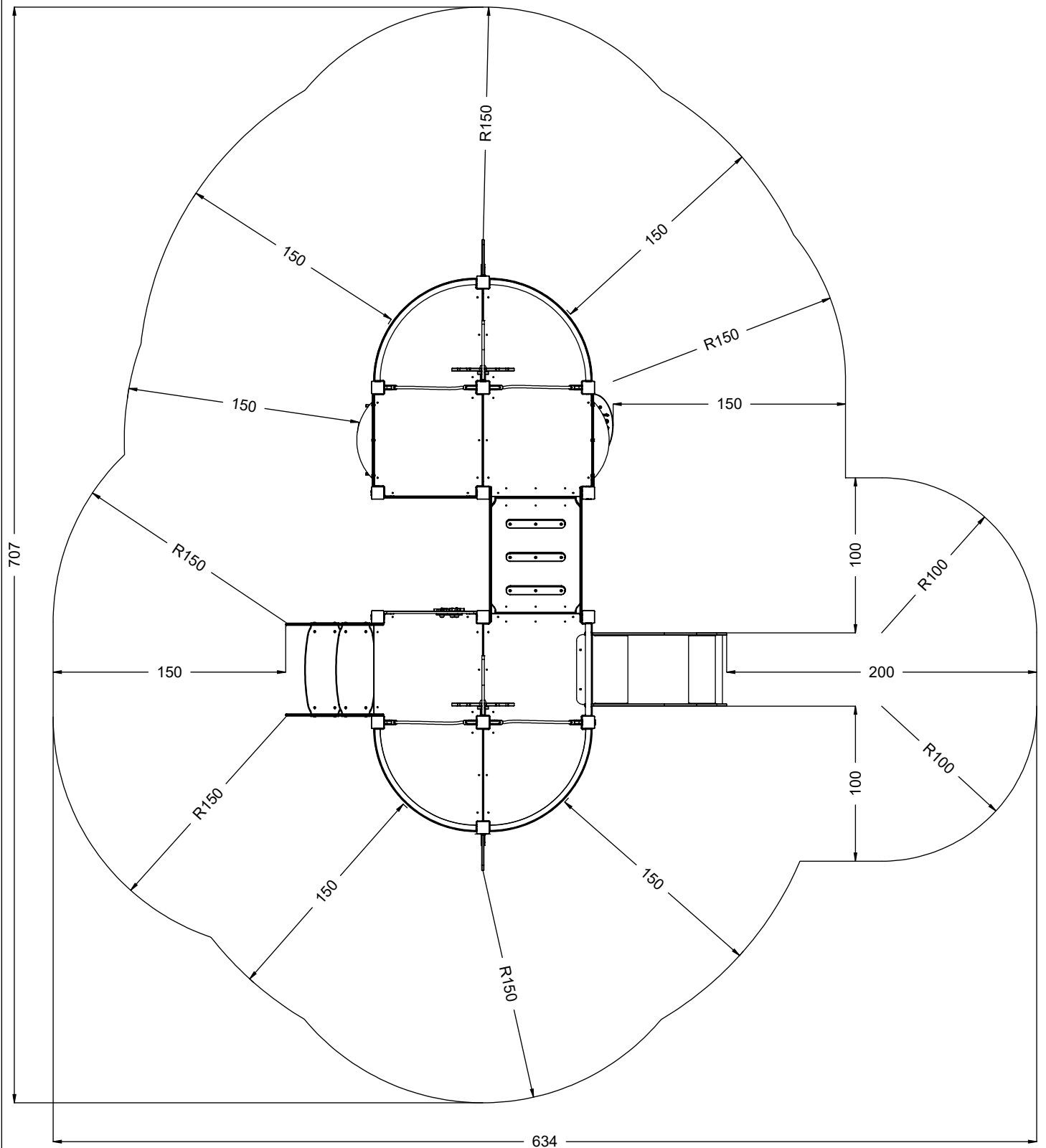




[cm]



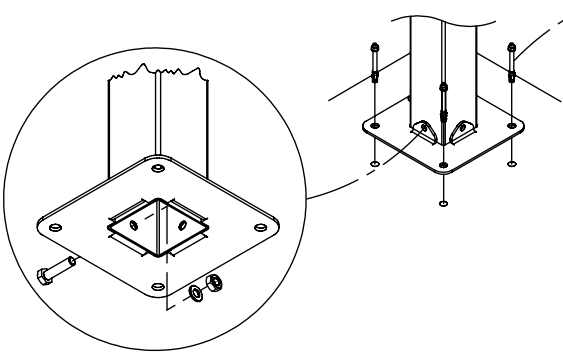
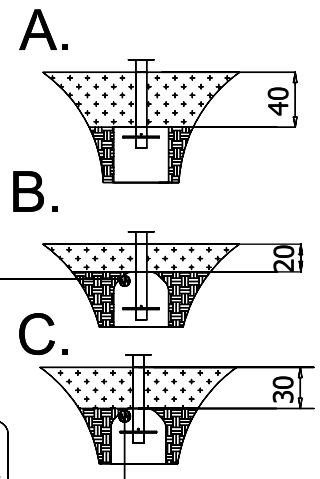
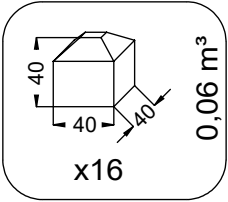
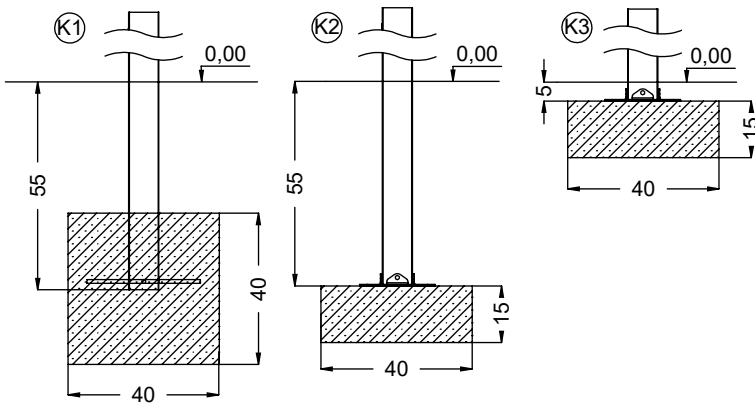
vinci
play





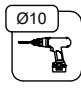
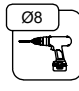


[cm]

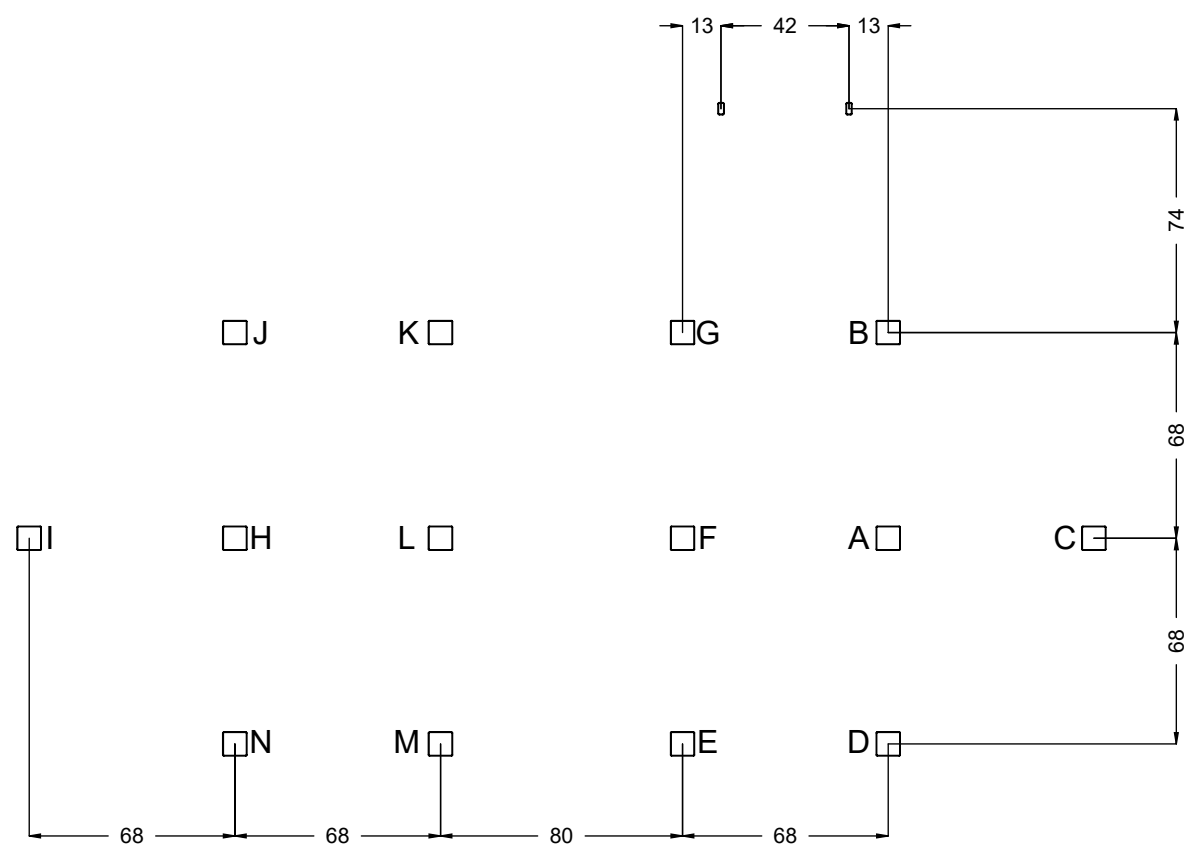
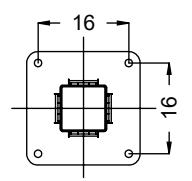


vinci
play



E37

56x M10x120 (K2)	2x M8x120 (K2)
58x M10x120 (K3)	
	
	
NOT INCLUDED	NOT INCLUDED
	



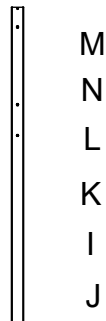
[cm]

	8h			48h		
---	----	---	---	-----	---	--

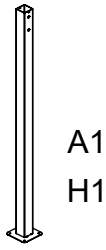
vinci play



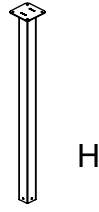
113



113



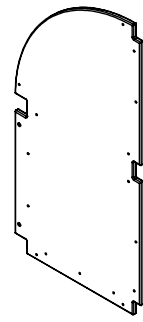
113



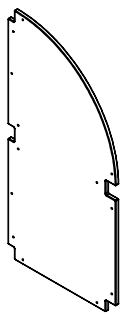
113



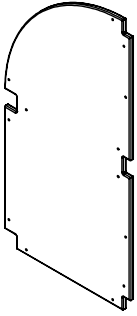
113



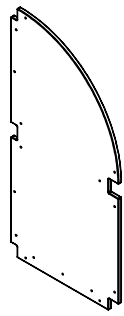
011140
x1



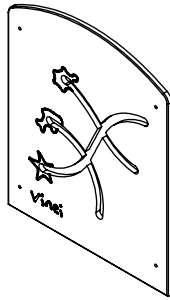
011141
x1



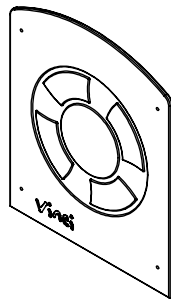
011137
x1



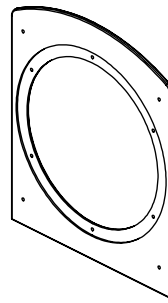
011144
x1



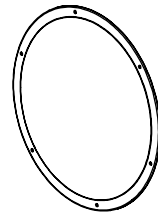
011111
x1



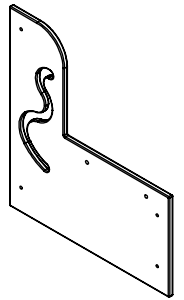
011104
x1



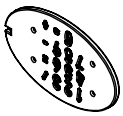
011109
x2



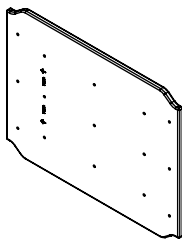
996184
x2



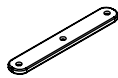
011122
x1



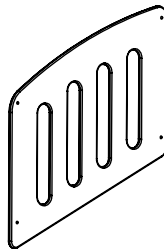
011154
x1



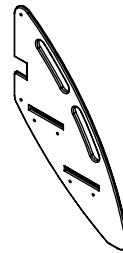
011251
x1



011114
x3



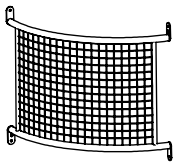
011133
x2



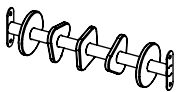
011129
x2



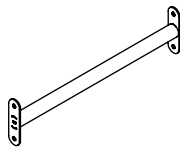
011126
x2



012100
x4



014107
x2



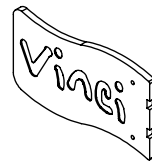
012101
x1



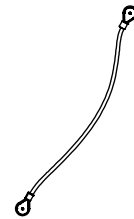
011138
x2



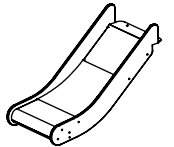
991106
x2



991104
x2



995137
x4



994146
x1

HPL



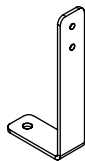
011230
x4

K1, K2



p78
x2

K3



b-219-2
x2

K2, K3

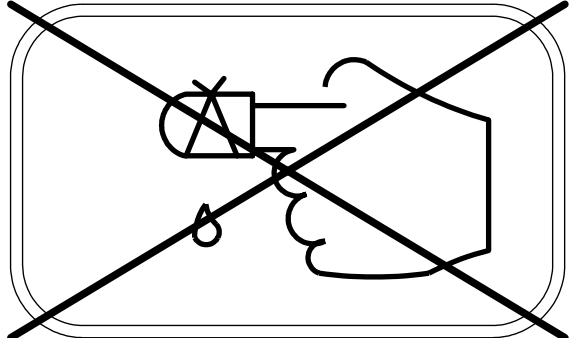
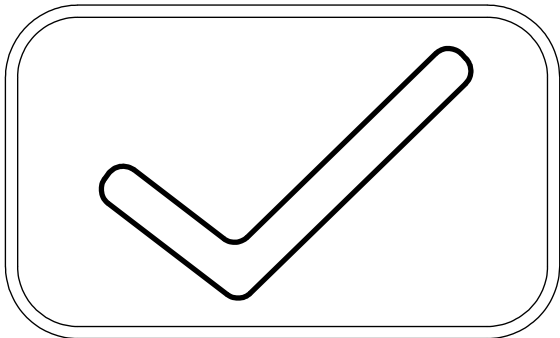
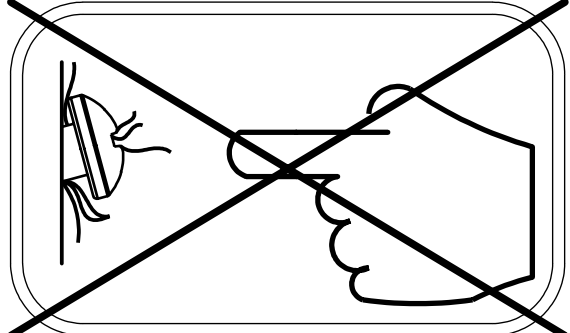
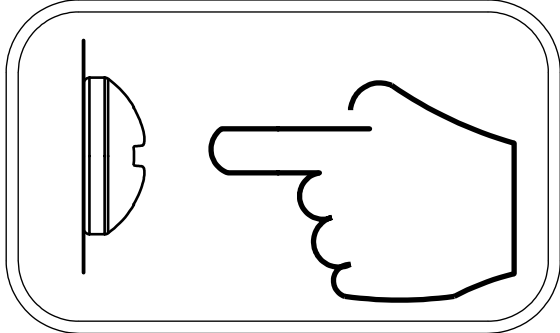
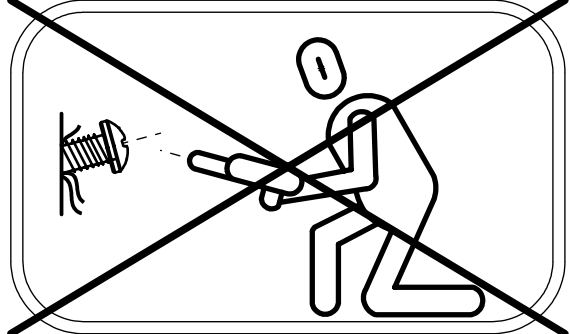
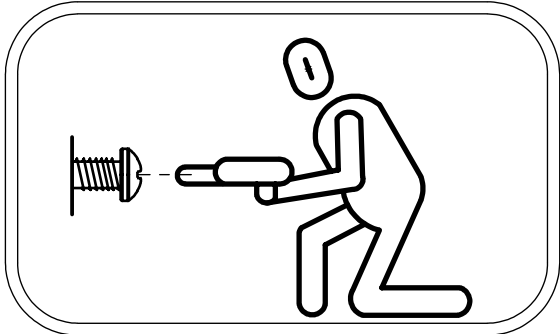


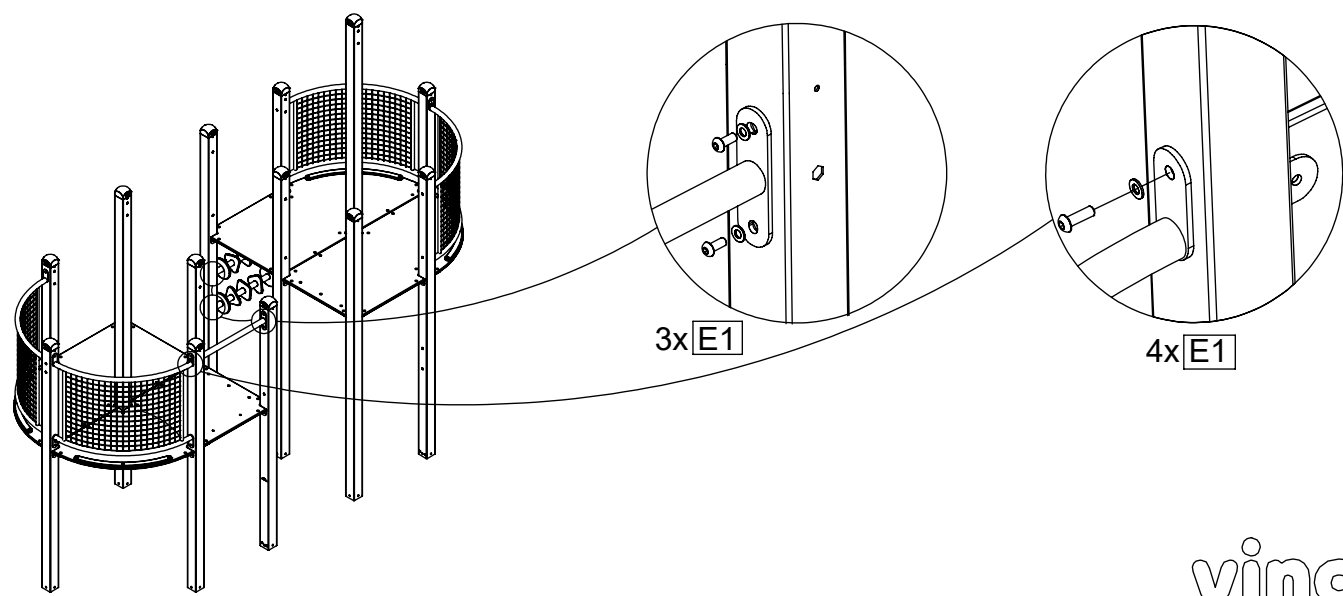
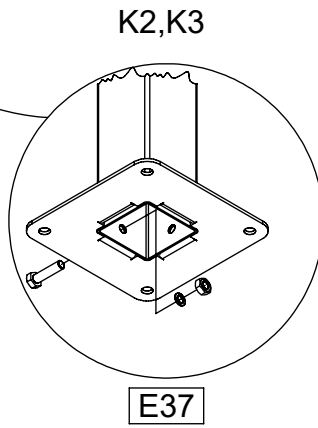
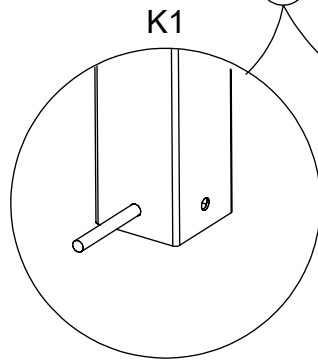
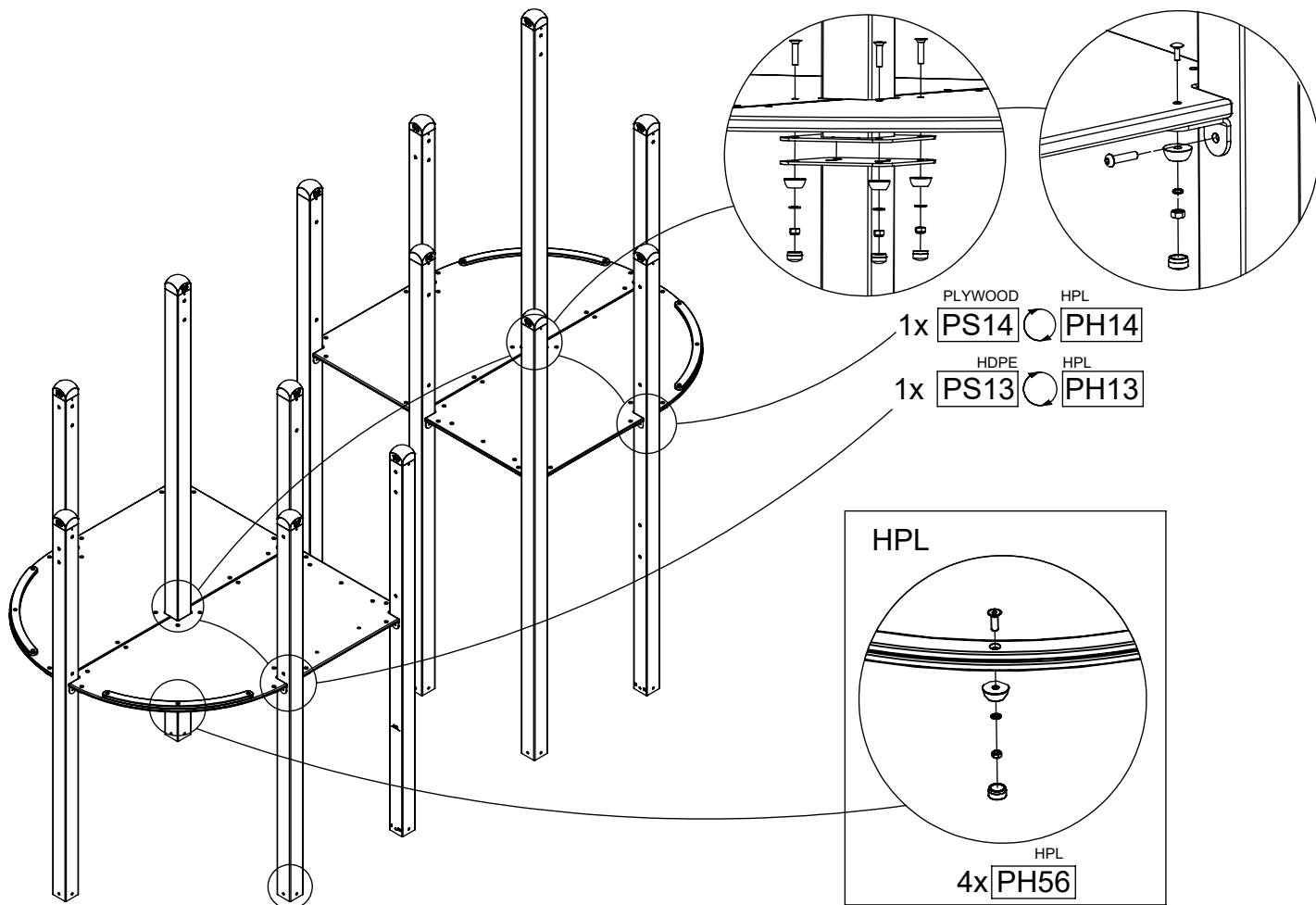
B231
x14

[cm]

vinci
play

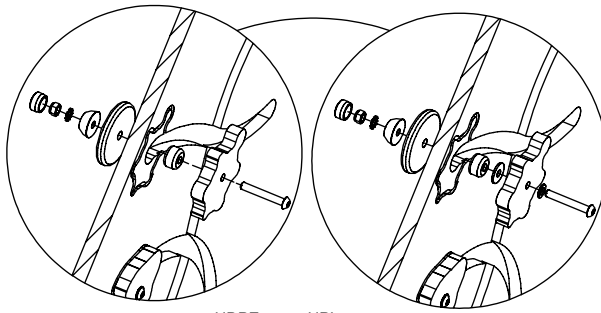
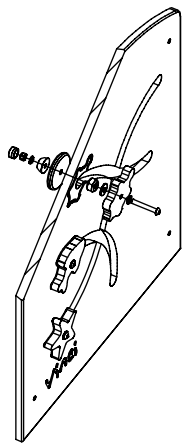
ST/INOX		PLYWOOD / HDPE		HPL	
7x	E1	3x	CE1	3x	CL1
1x	E14	2x	CE4	2x	CL4
4x	E15	1x	CE6	1x	CL6
10x	E24	1x	CE7	1x	CL7
1x	E34 (K1, K3)	1x	CE8	1x	CL8
1x	E35 (K2)	2x	CE9	2x	CL9
	E37 (K2, K3)	1x	CE17	1x	CL17
2x	E150	1x	CE112	1x	CL112
4x	E170	1x	PS12	1x	PH12
1x	V001	1x	PS13	1x	PH13
		1x	PS14	1x	PH14
		1x	PS19 ^{S1}	1x	PH19 ^{S1}
		1x	PS41 ^{S6}	1x	PH41 ^{S6}
				4x	PH56





[cm]

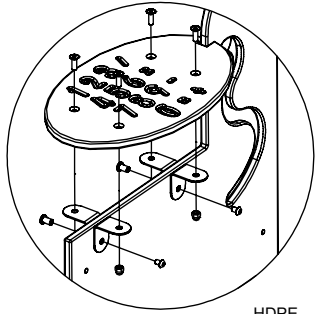
vinci
play



1x

HDPE	CE8
------	-----

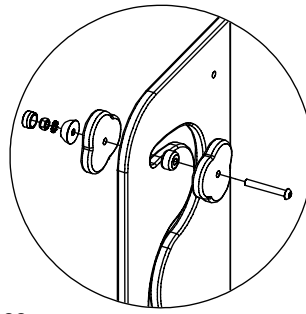
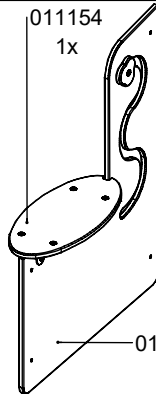
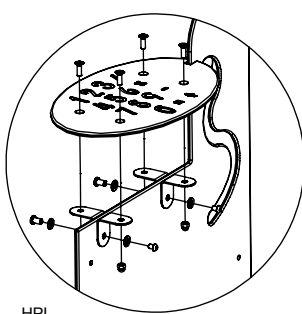
HPL	CL8
-----	-----



1x

HDPE	CE6
------	-----

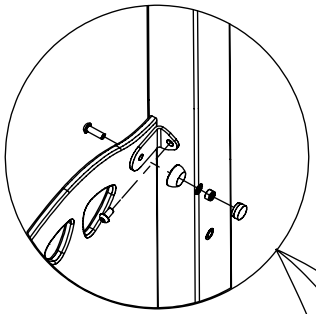
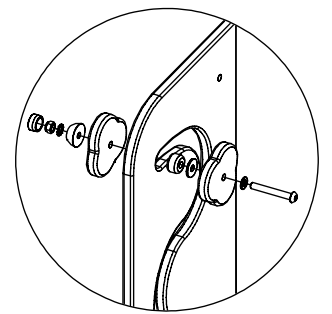
HPL	CL6
-----	-----



1x

HDPE	CE17
------	------

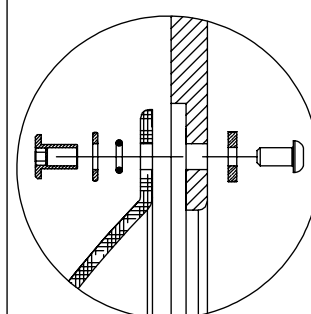
HPL	CL17
-----	------



3x

PLYWOOD	CE1
---------	-----

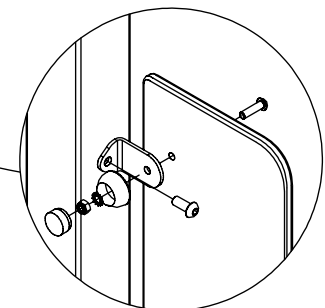
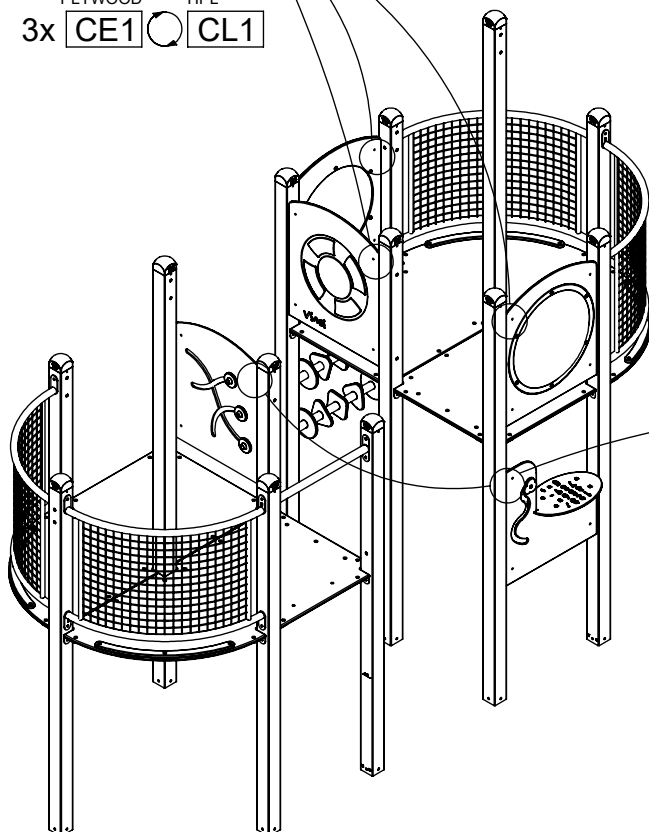
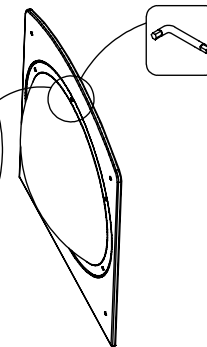
HPL	CL1
-----	-----



1x

HDPE	CE9
------	-----

HPL	CL9
-----	-----



2x

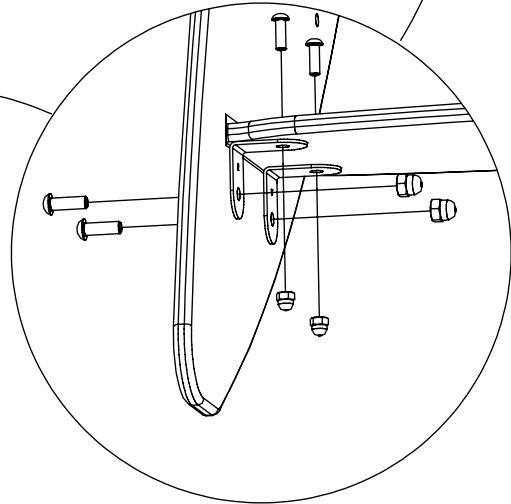
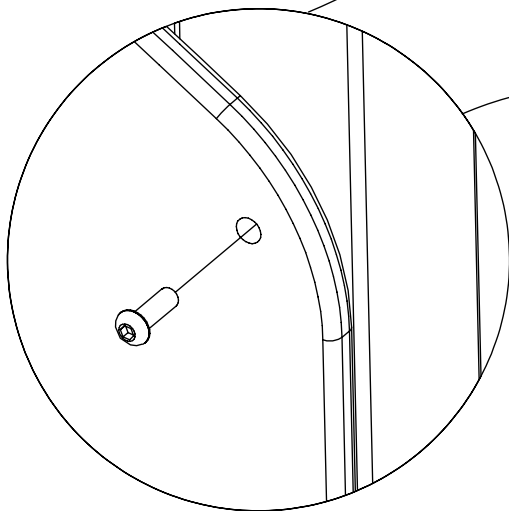
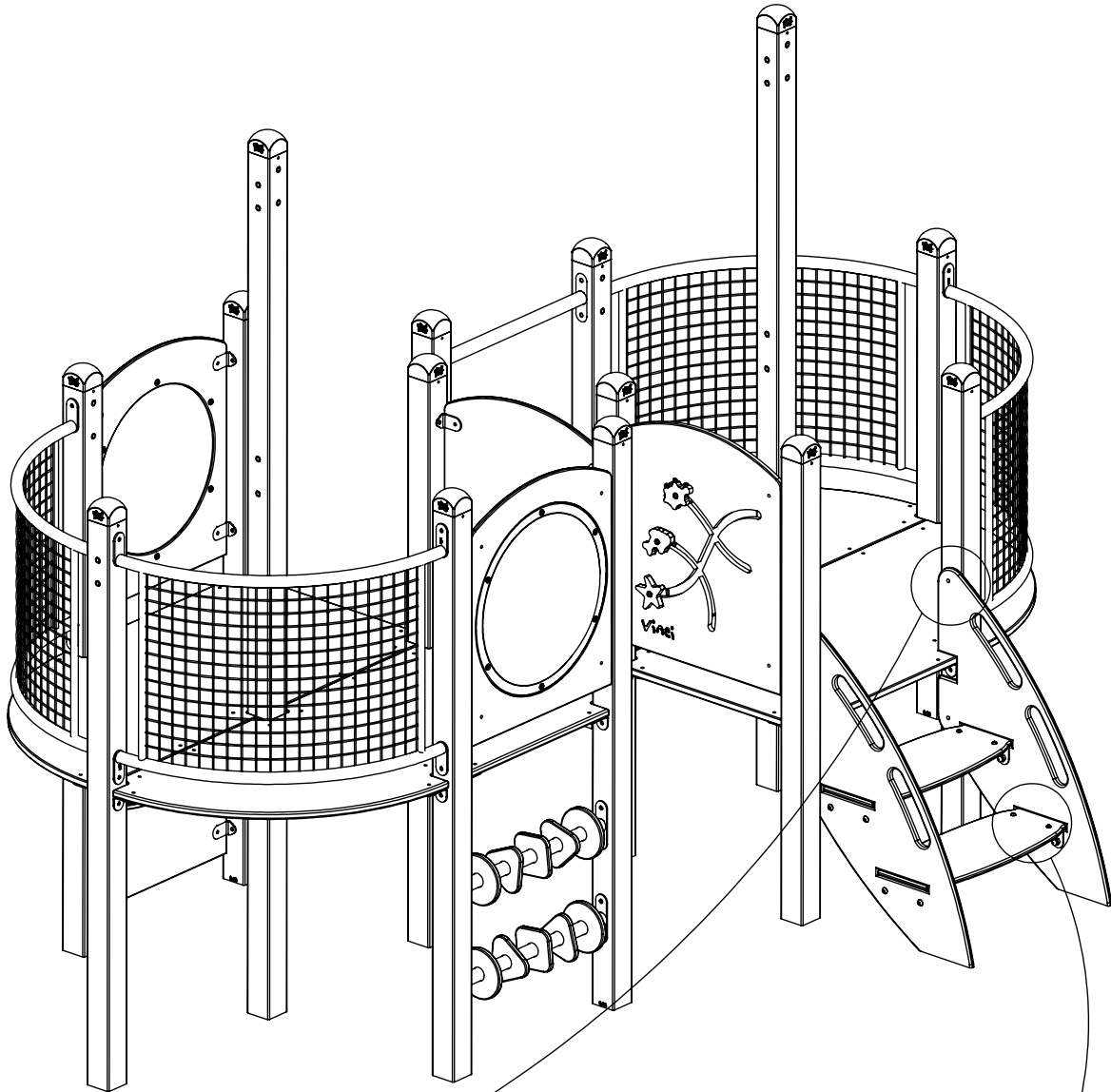
PLYWOOD	CE4
---------	-----

HPL	CL4
-----	-----

[cm]

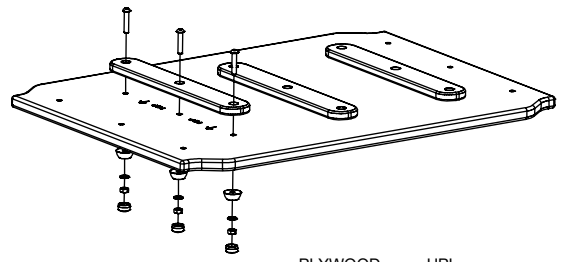
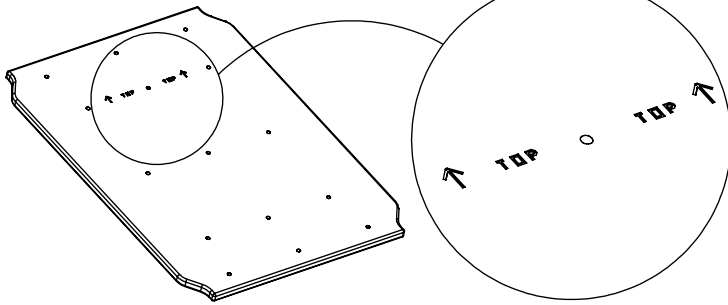


vinci play

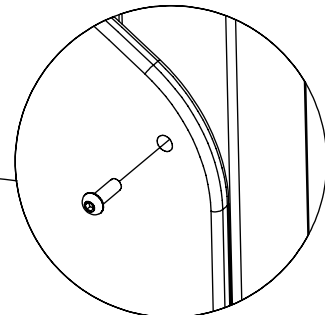
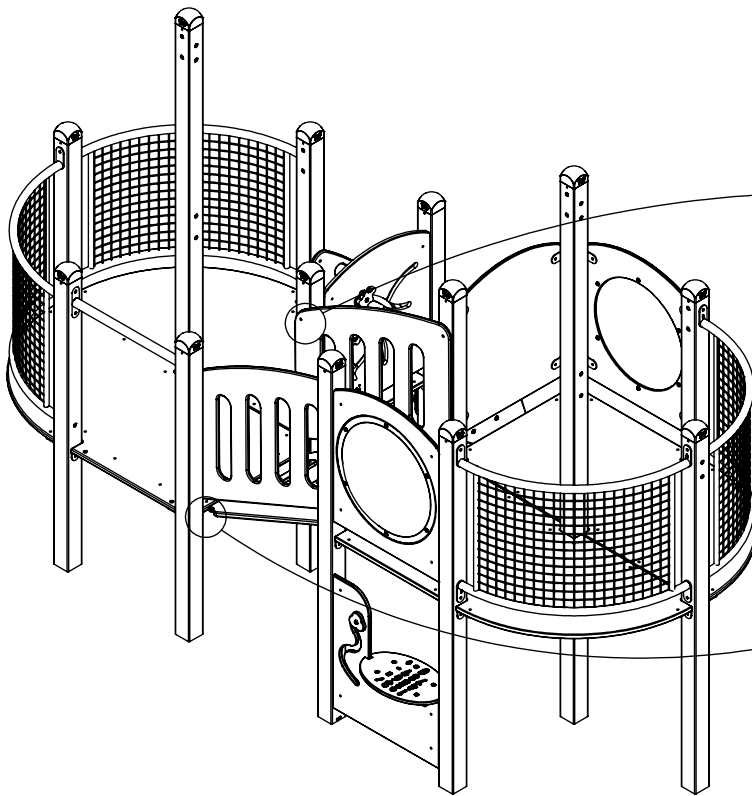


1x

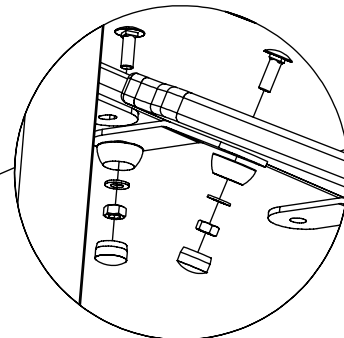
HDPE	HPL
CE7	CL7



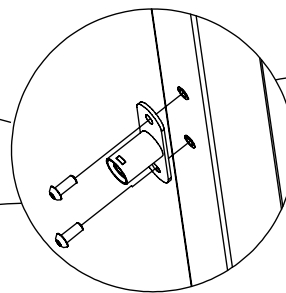
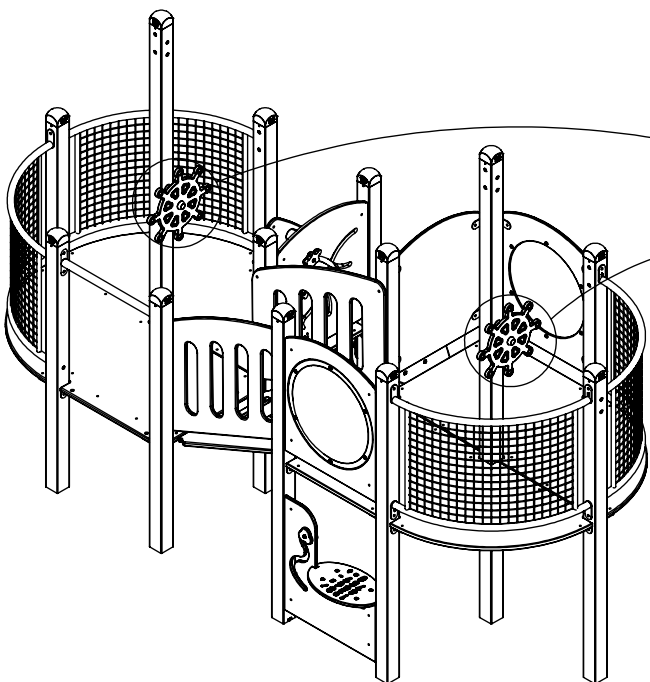
PLYWOOD 1x PS12 HPL PH12



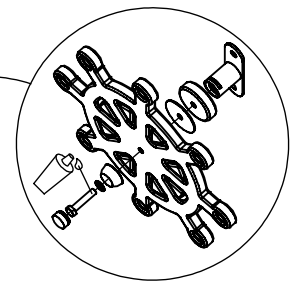
1x E14



PLYWOOD PS12 HPL PH12



2x E24

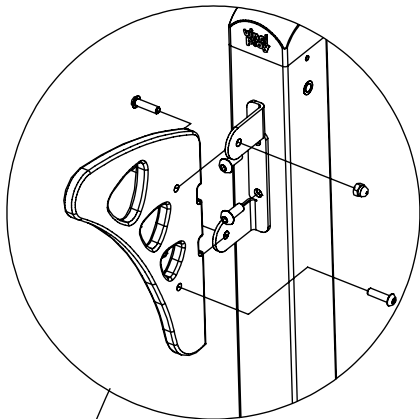


2x E150

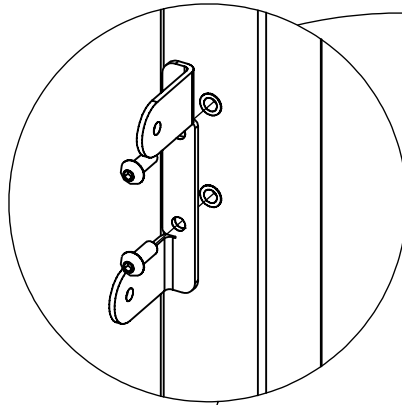
[cm]



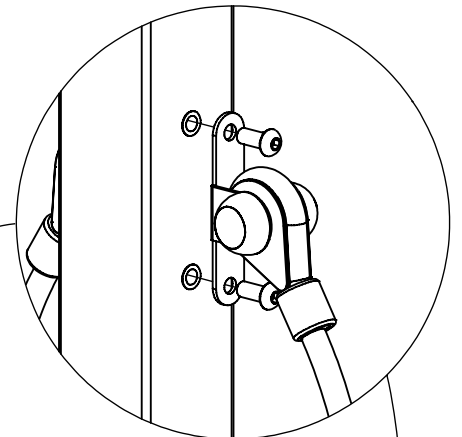
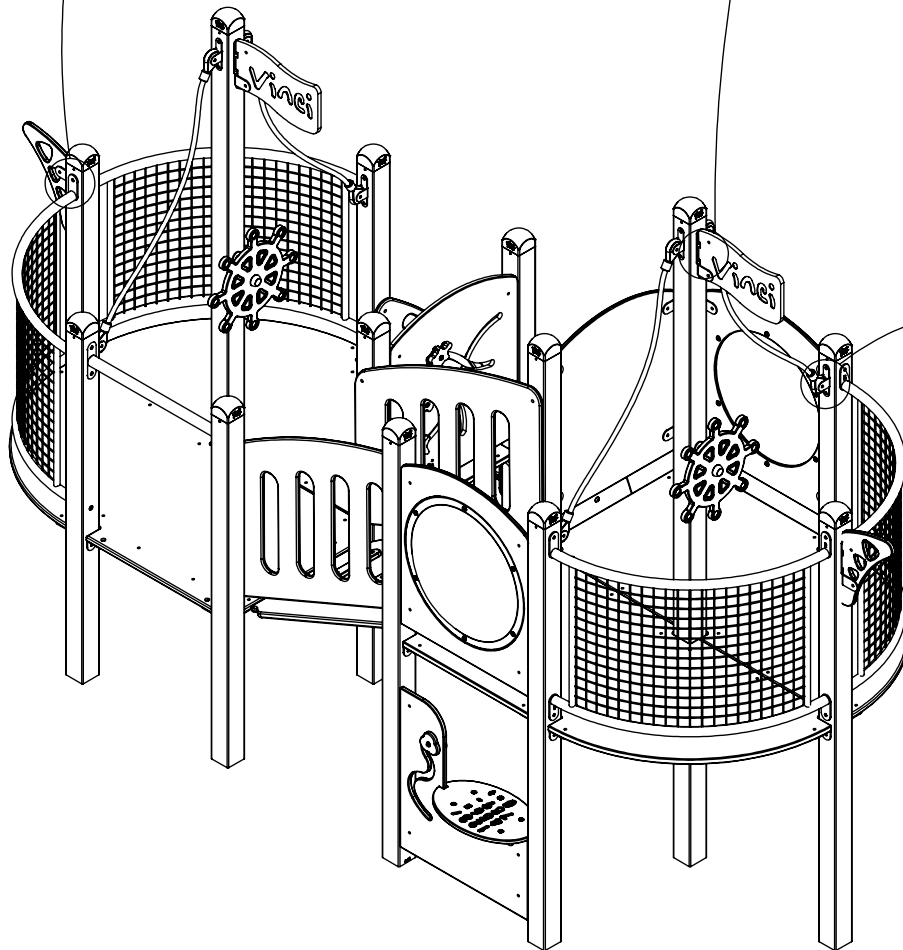
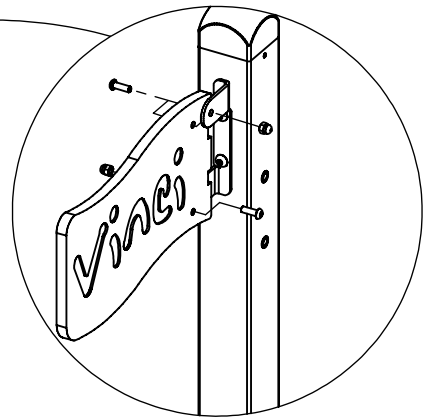
vinci play



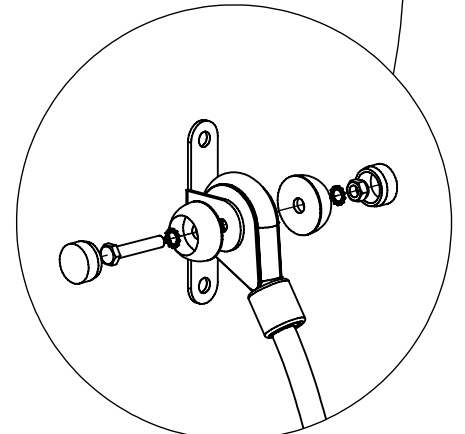
2x E15



2x E15



8x E24

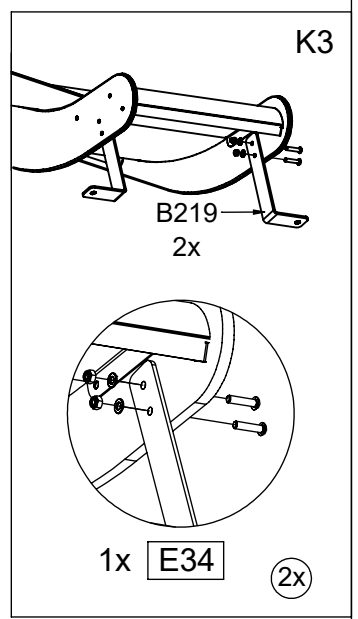
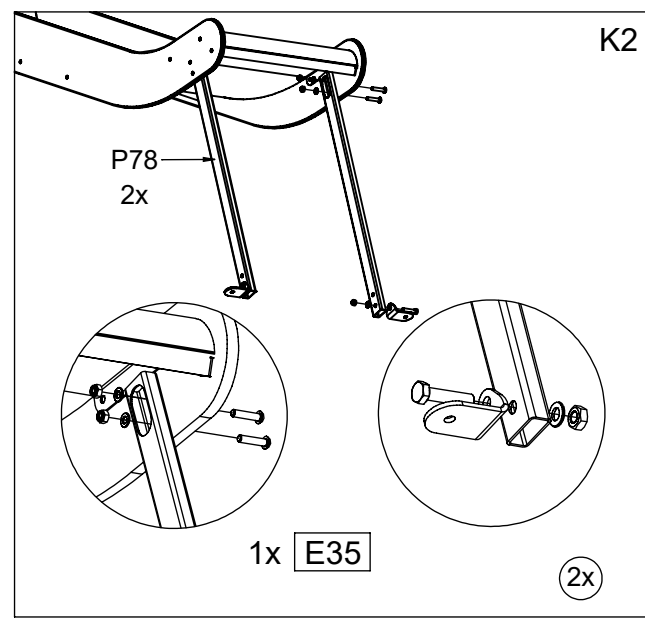
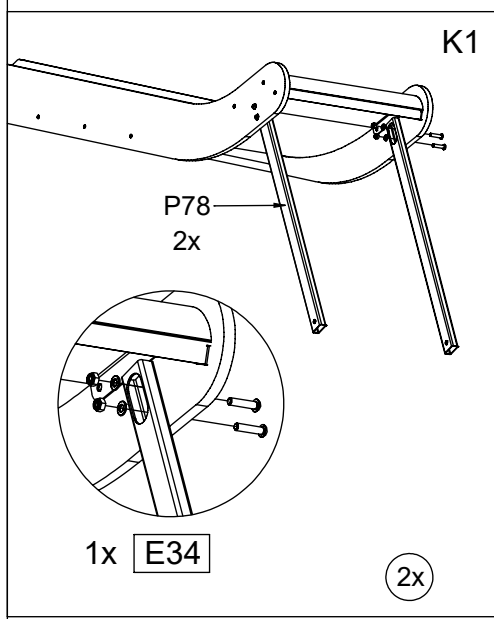
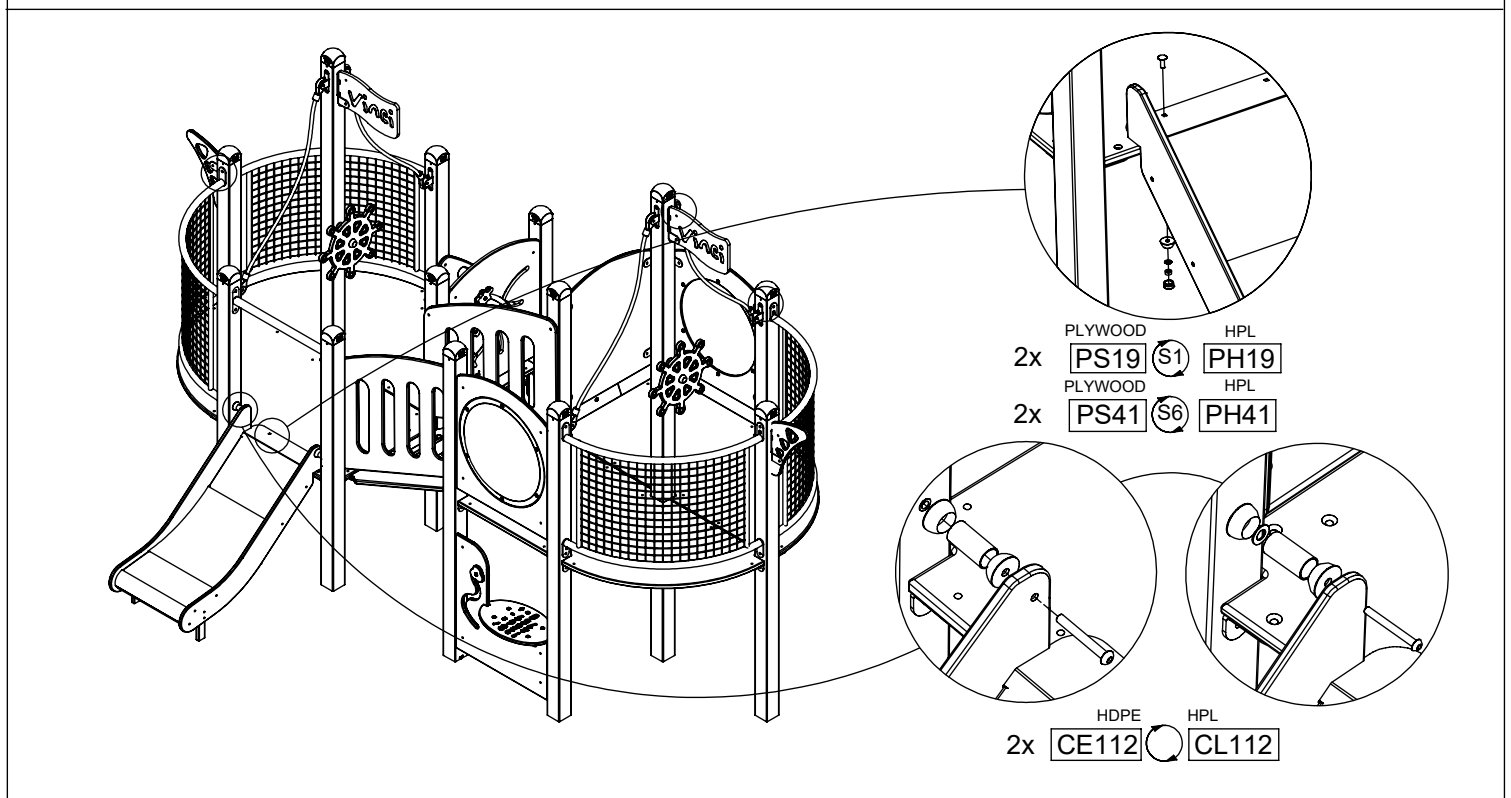
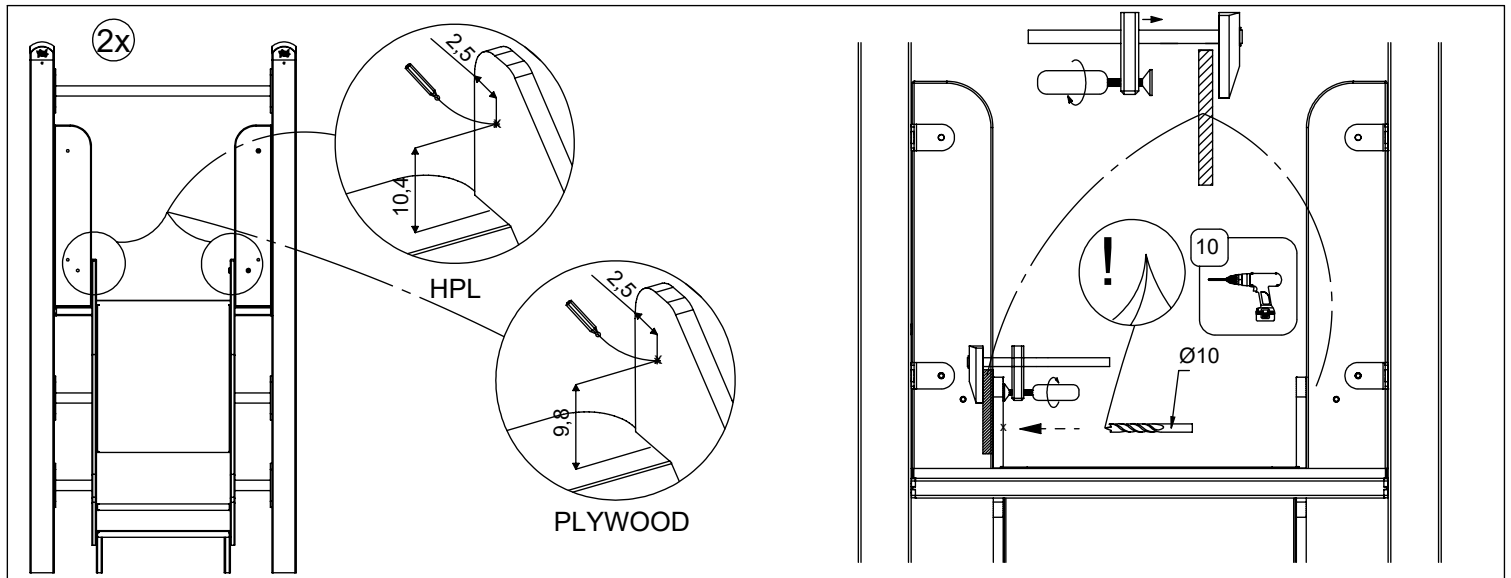


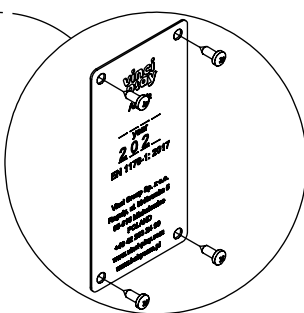
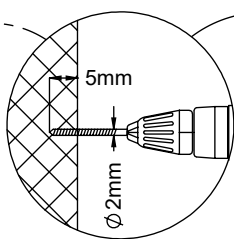
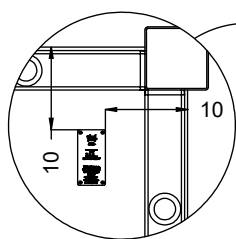
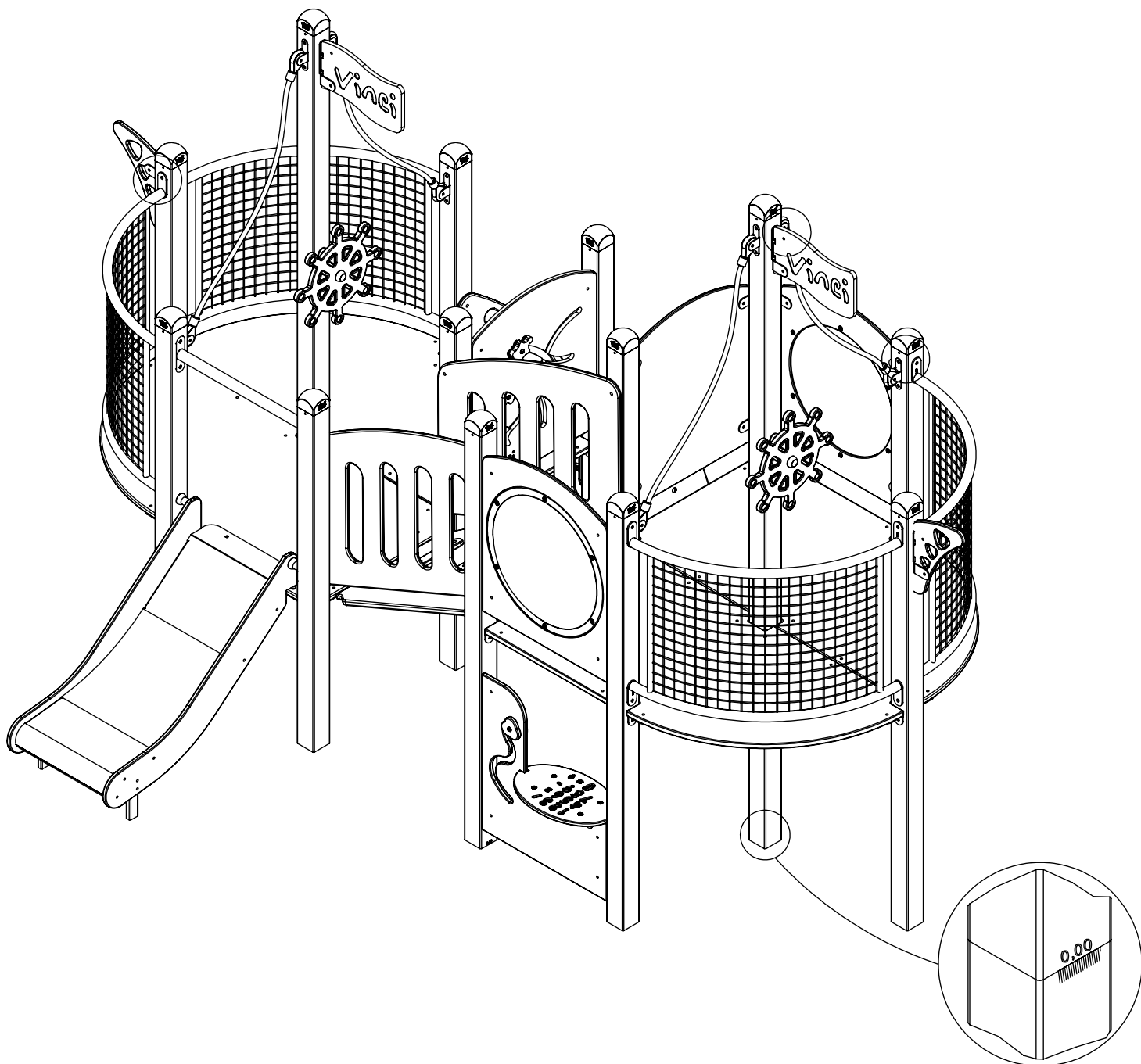
4x E170

[cm]

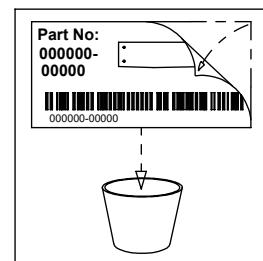
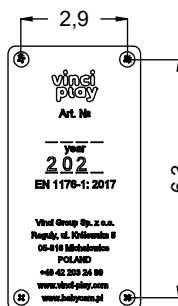


vinci
play





V001



[cm]



vinci
play