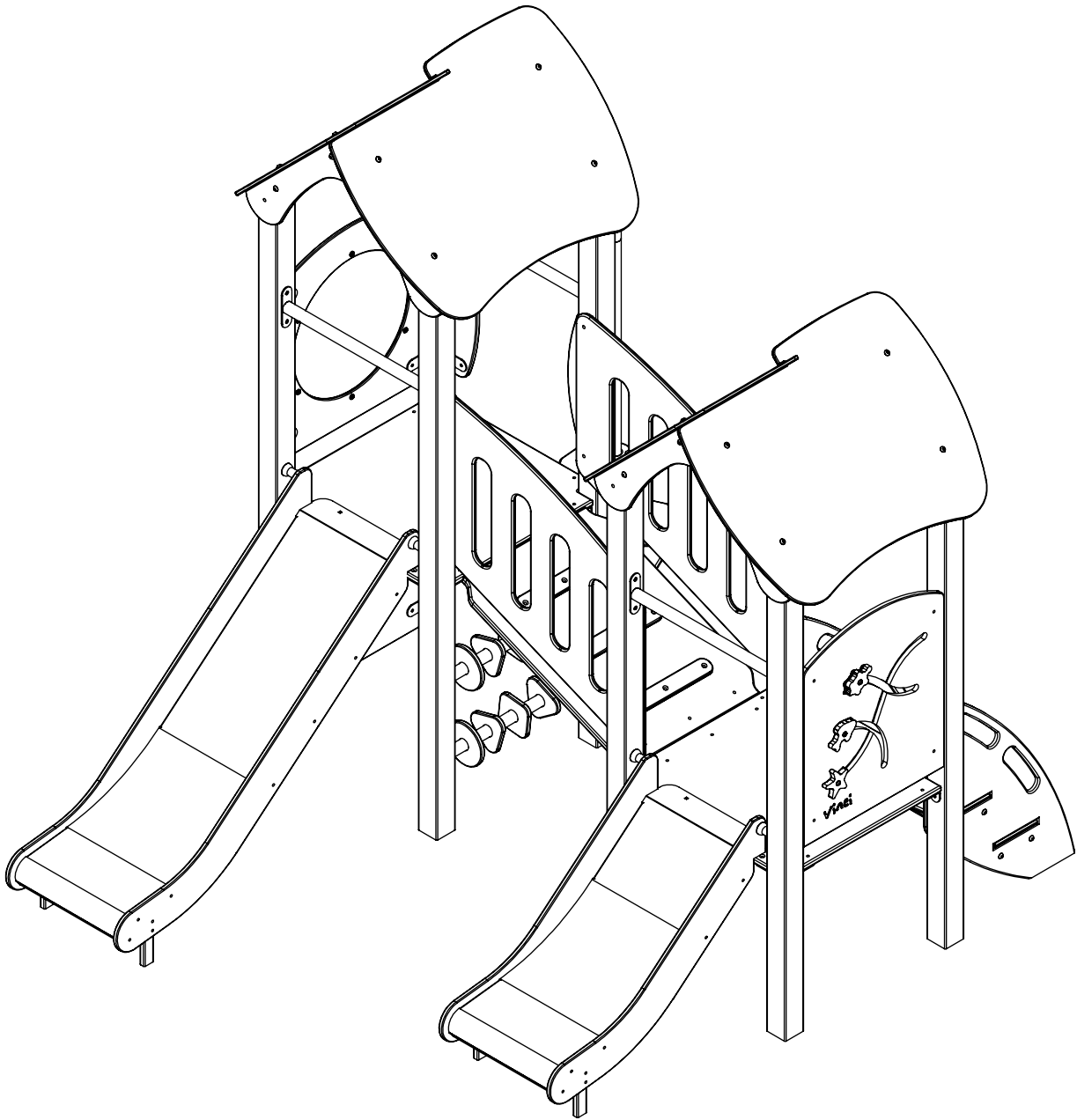
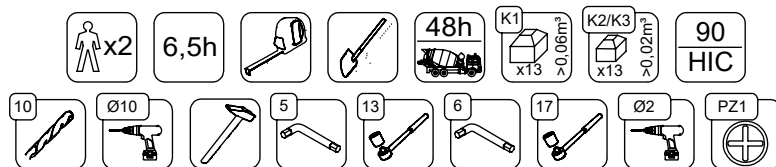


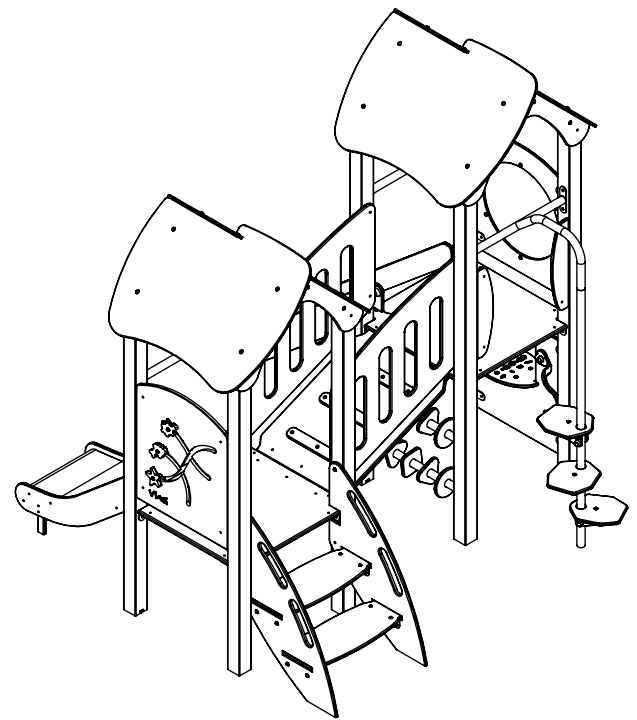
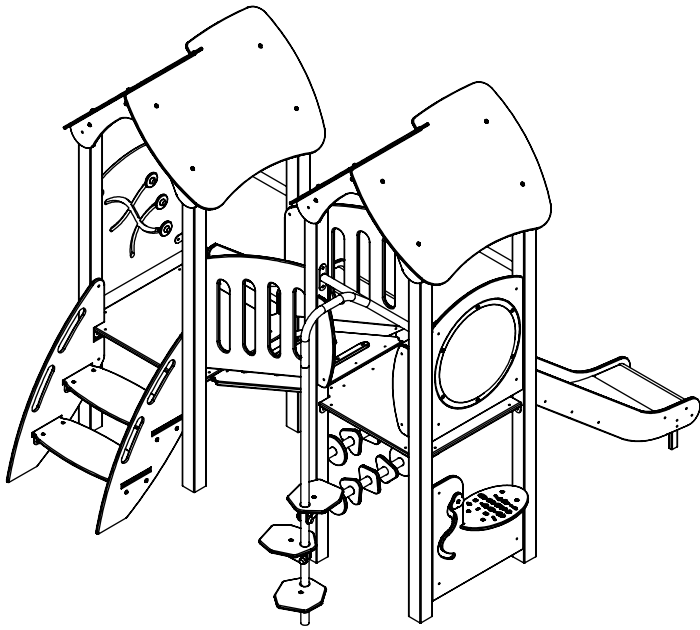
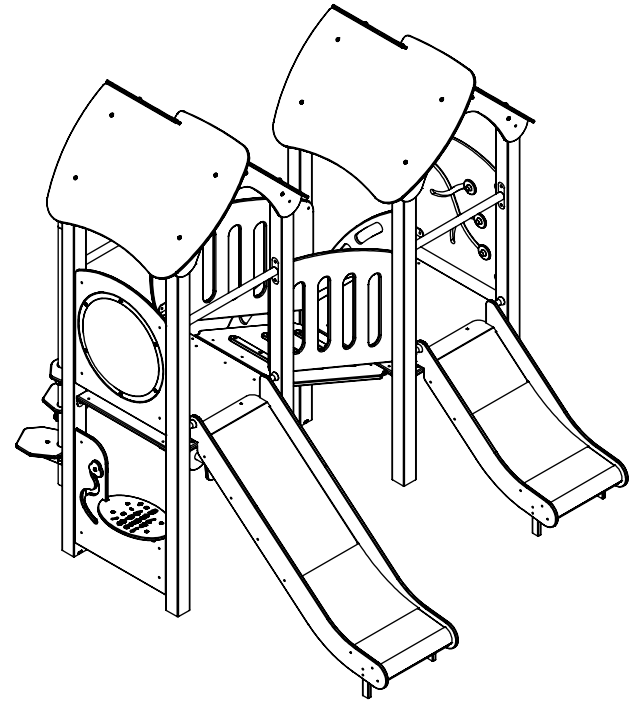
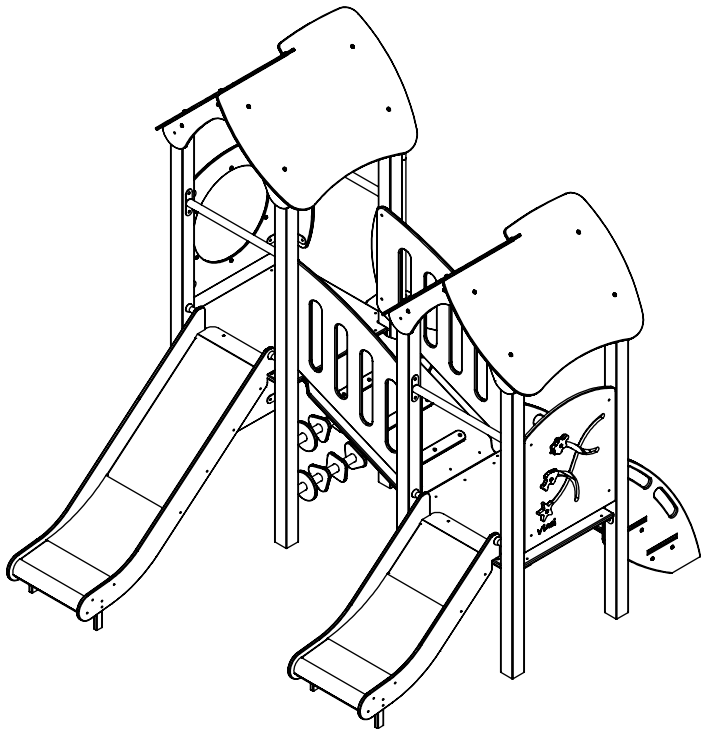
0110



v012
19.08.2020
A. P.
[cm]

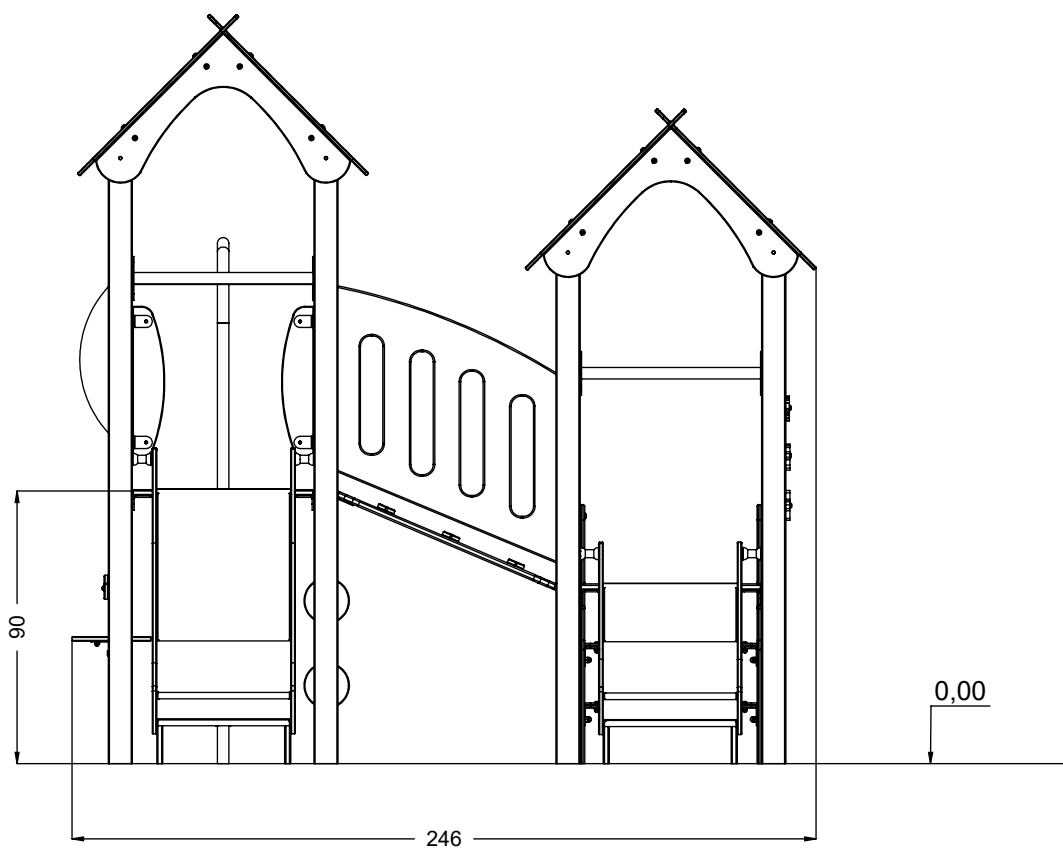
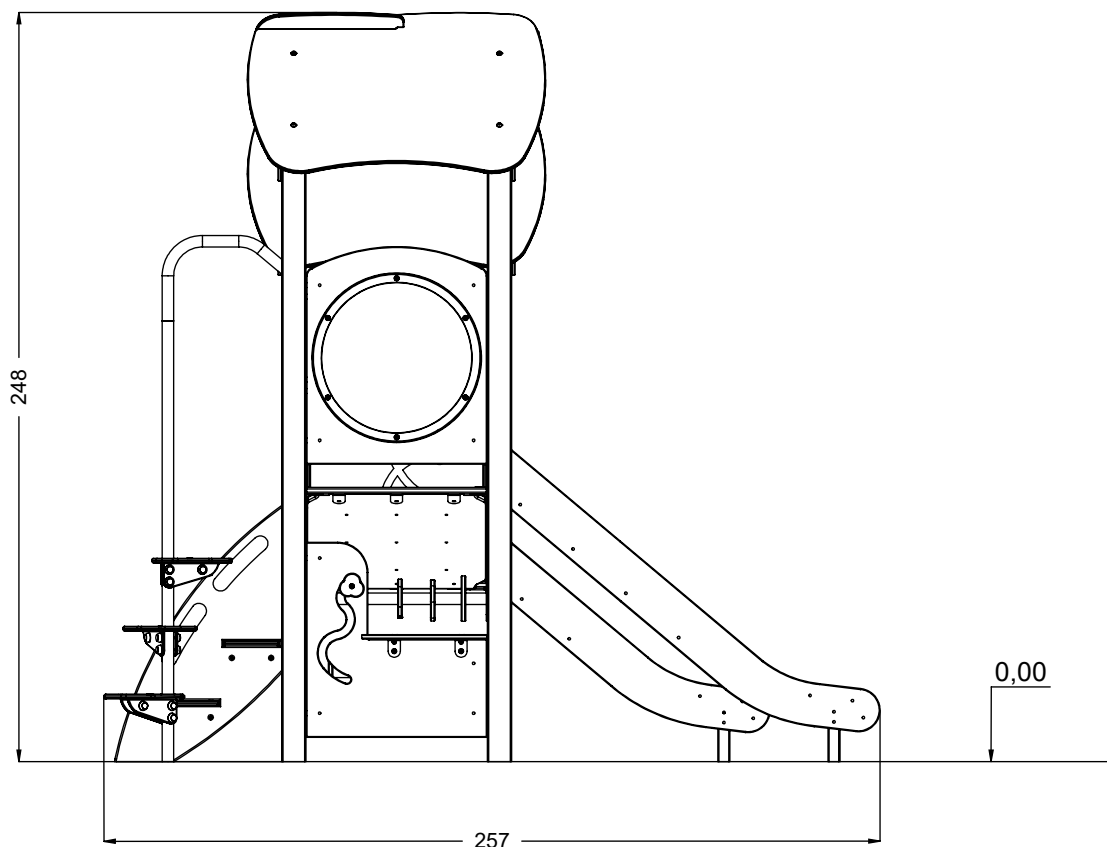


vinci
play



[cm]

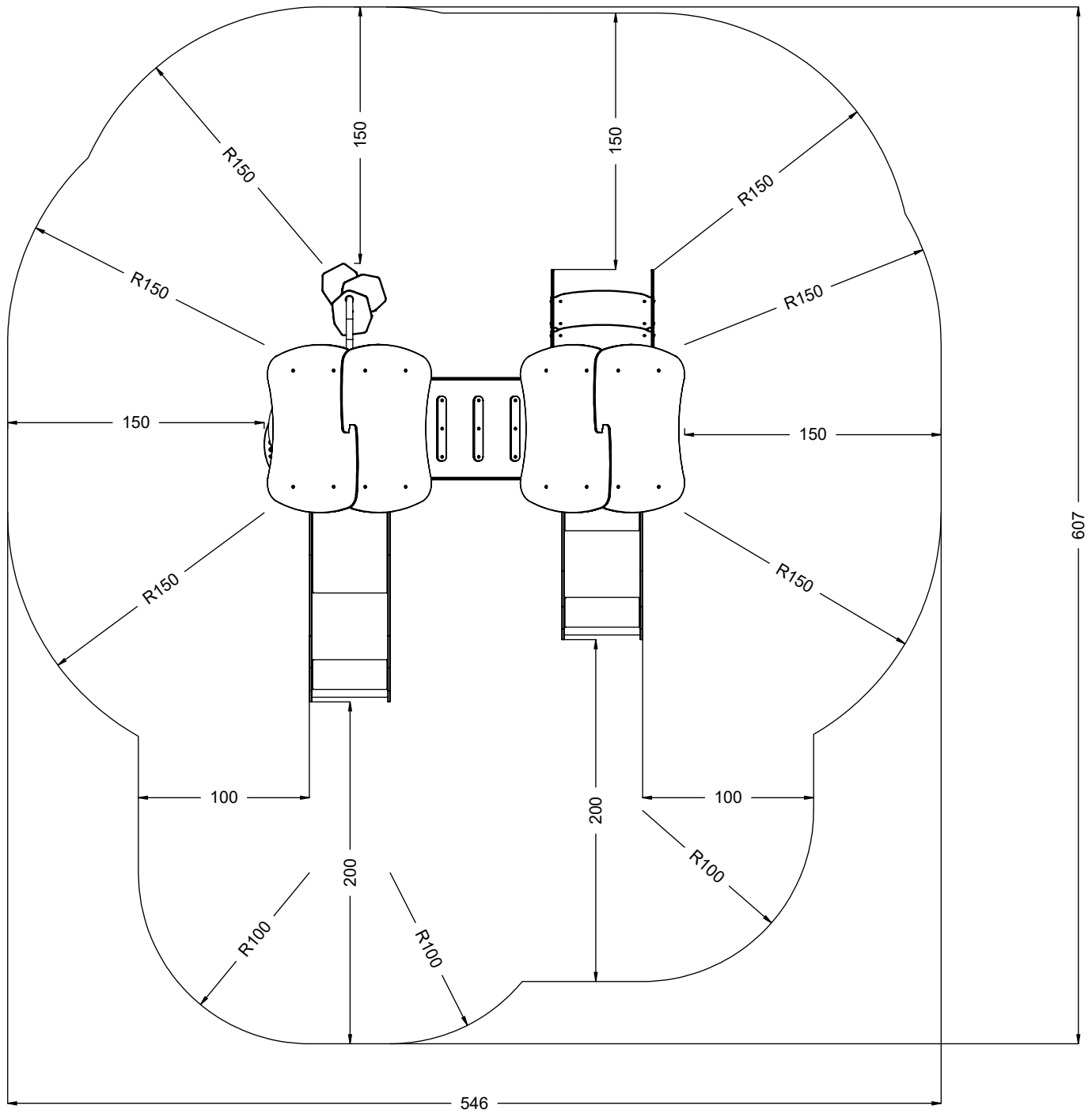
vinci
play



[cm]



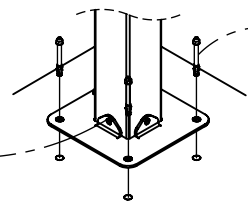
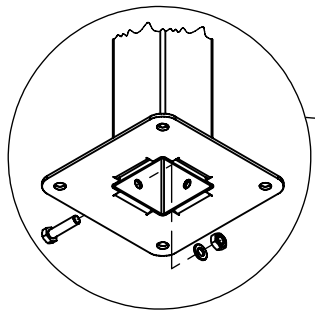
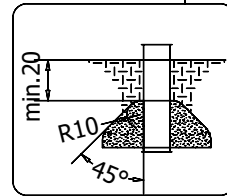
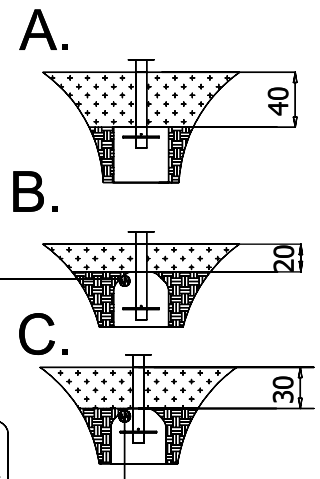
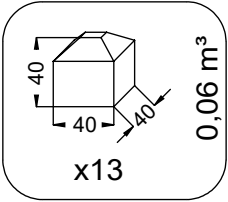
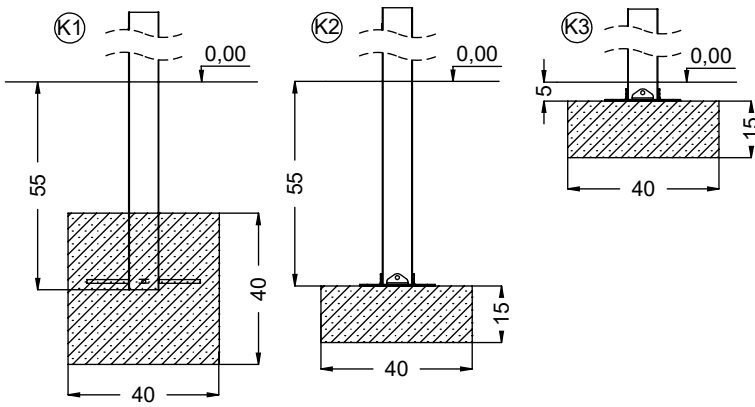
vinci
play



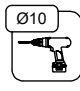





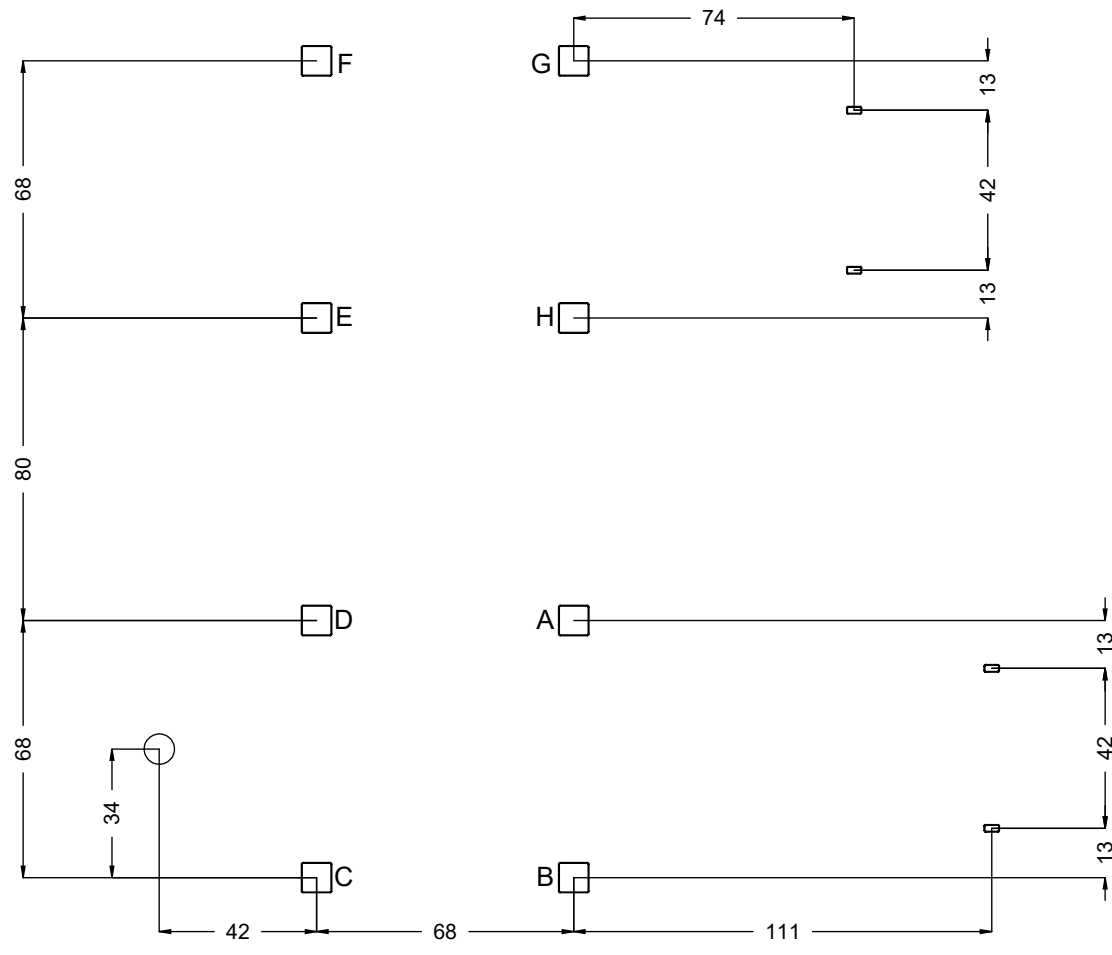
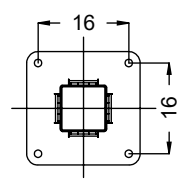
[cm]



vinci
play



34x M10x120 (K2)	6x M8x120 (K2)
38x M10x120 (K3)	2x M8x120 (K3)
	
	
NOT INCLUDED	NOT INCLUDED
	



[cm]

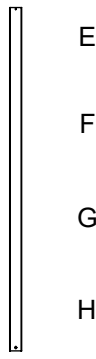
 x2	6,5h			48h	 K1 x13 >0.06m³	 K2/K3 x13 >0.02m³
--	------	---	---	-----	--	--

vinci play



A
B
C
D

110



E
F
G
H

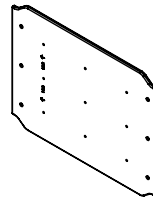
110



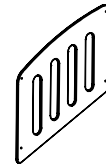
011246
x1



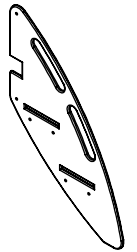
011245
x1



011251
x1



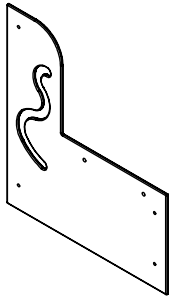
011133
x2



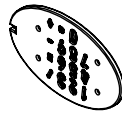
011129
x2



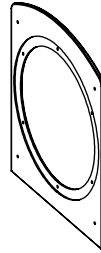
011126
x2



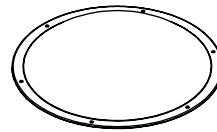
011122
x1



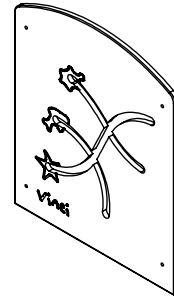
011154
x1



011109
x1



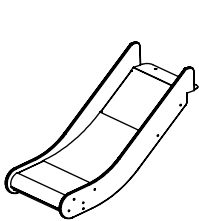
996184
x1



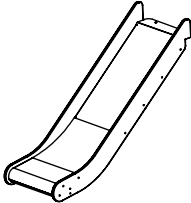
011111
x1



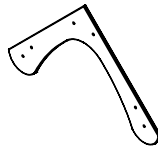
011142
x2



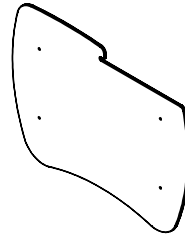
994146
x1



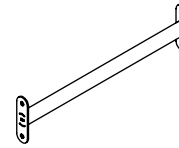
994147
x1



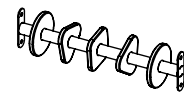
011119
x4



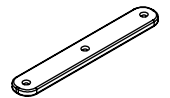
011143
x4



012101
x2

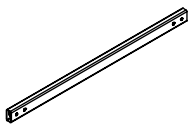


014107
x2



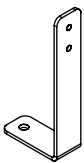
011114
x3

K1,K2



p78
x4

K3



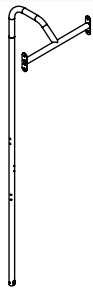
b-219-2
x4

K2, K3



B231
x8

K1,K2



014112
x1

K3

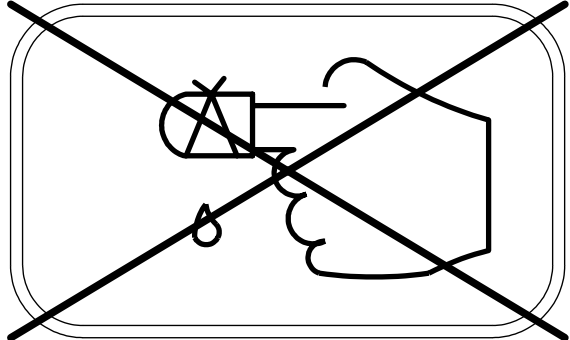
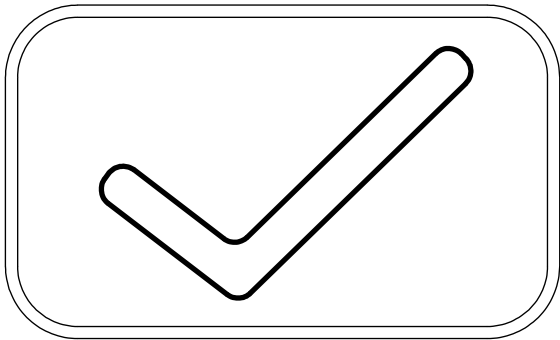
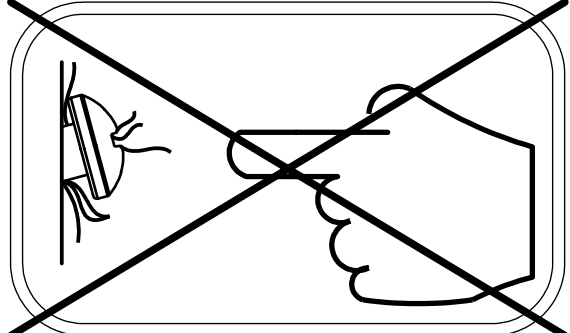
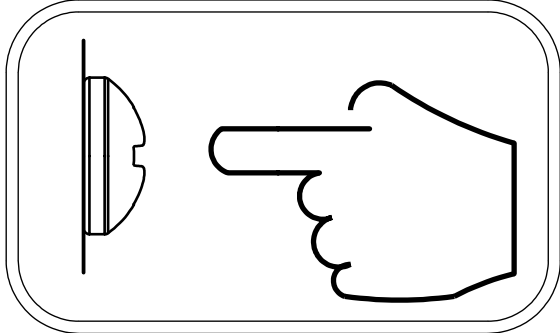
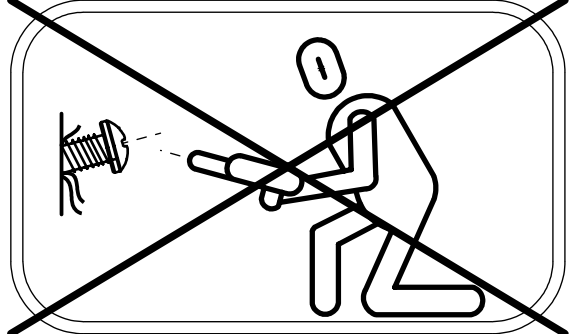
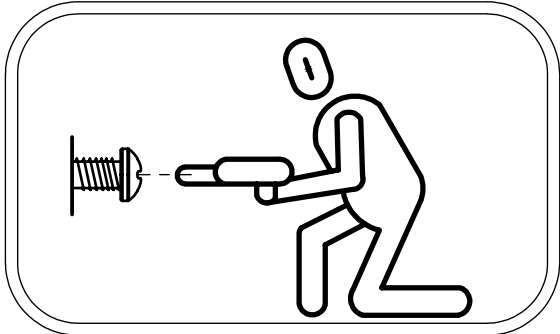


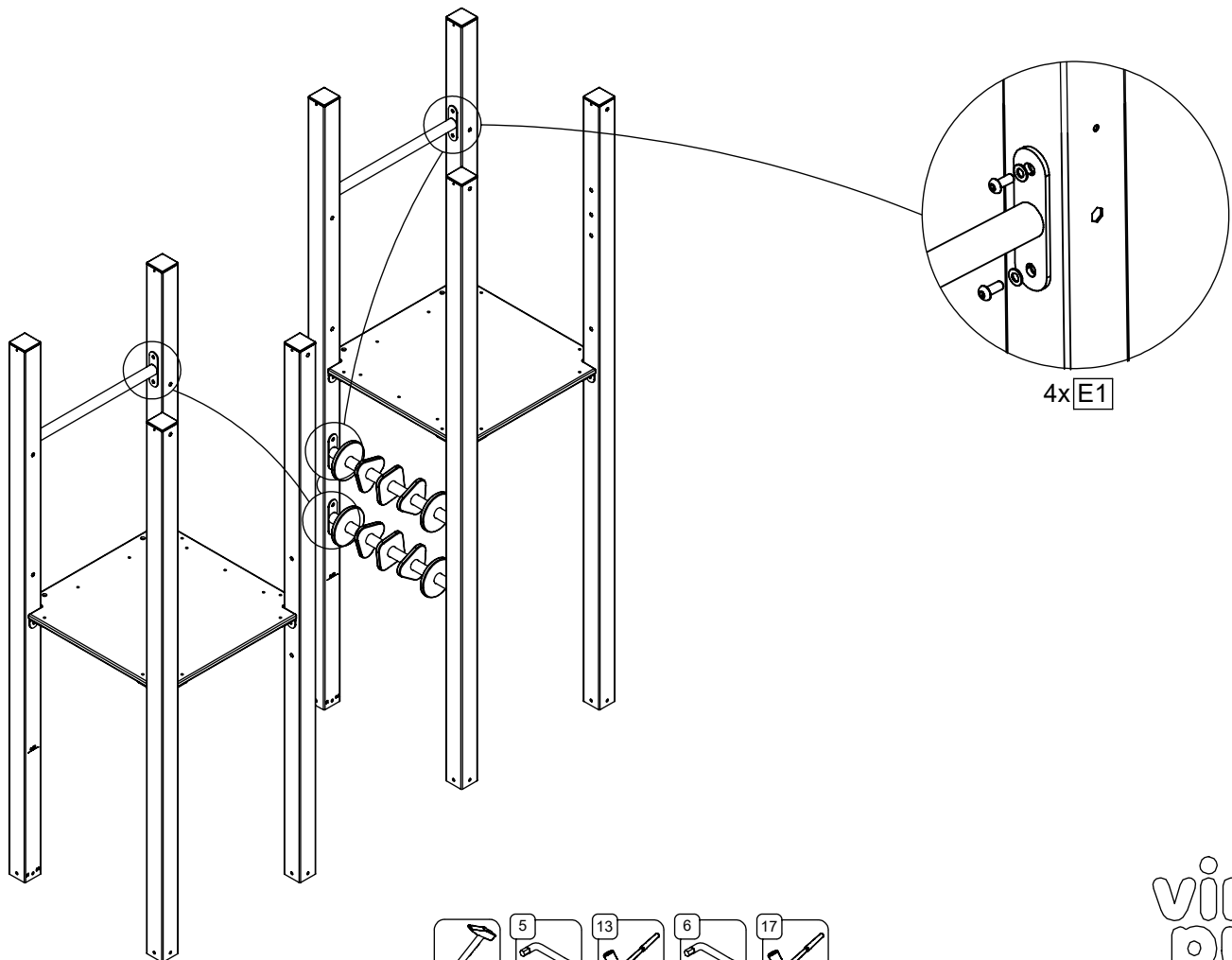
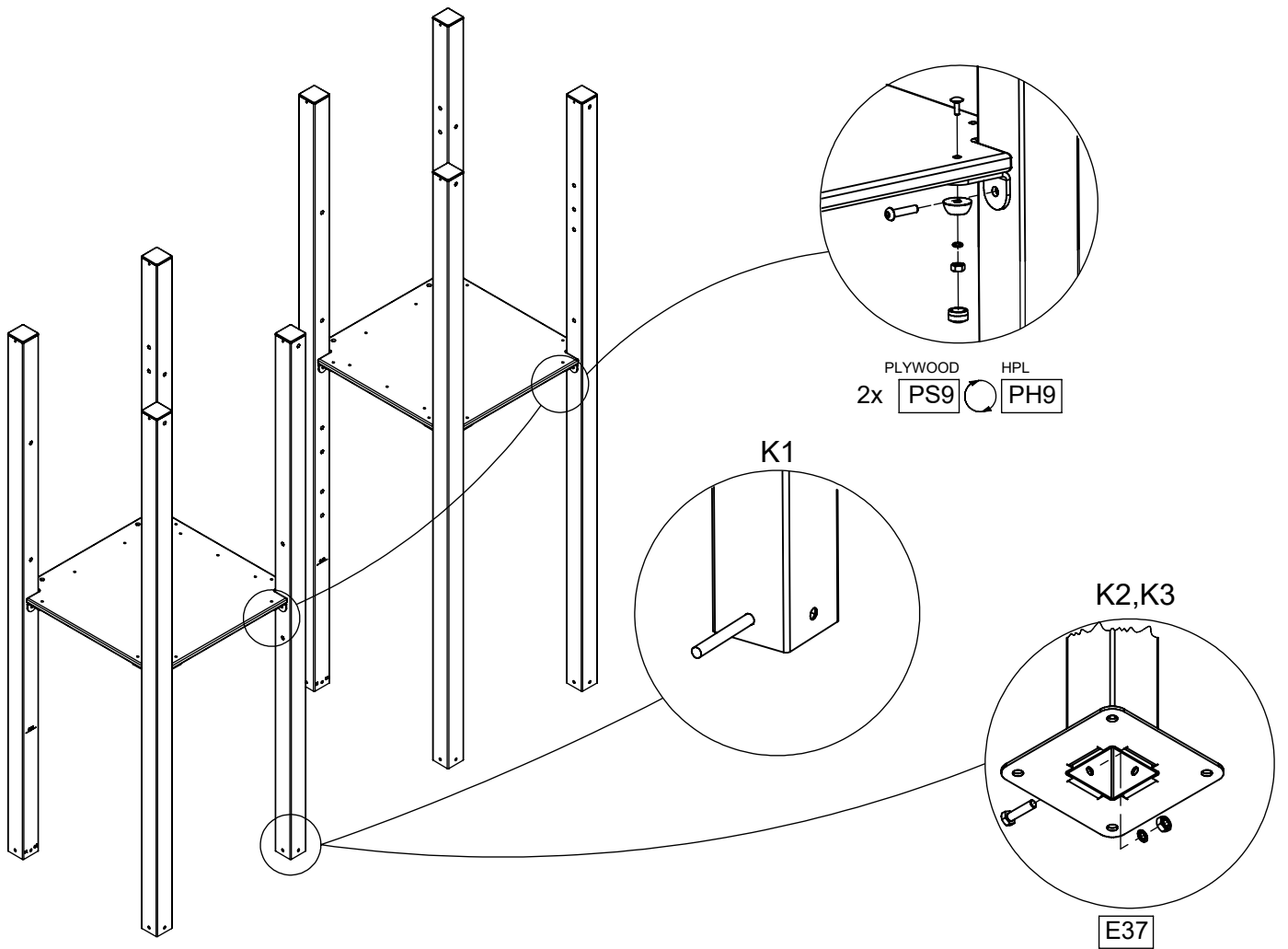
012105
x1

[cm]

vinci
play

ST/INOX		PLYWOOD / HDPE		HPL	
5x	E1	1x	CE1	1x	CL1
1x	E14	2x	CE3	2x	CL3
2x	E34 (K1, K3)	3x	CE4	3x	CL4
2x	E35 (K2)	1x	CE6	1x	CL6
	E37 (K2, K3)	1x	CE7	1x	CL7
1x	E38 (K2, K3)	1x	CE8	1x	CL8
1x	WD67	1x	CE9	1x	CL9
1x	WD68	1x	CE17	1x	CL17
1x	V001	2x	CE111	2x	CL111
		2x	CE112	2x	CL112
		2x	PS9	2x	PH9
		1x	PS12	1x	PH12
		2x	PS19 ^{S1}	2x	PH19 ^{S1}
		2x	PS41 ^{S6}	2x	PH41 ^{S6}

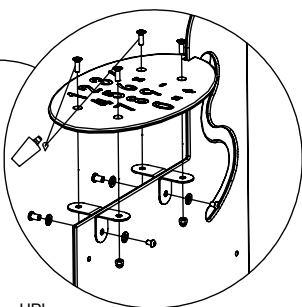
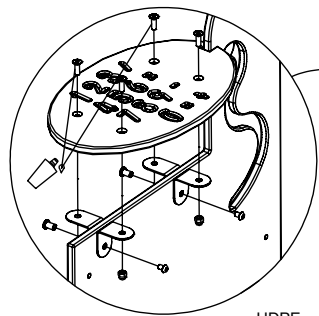




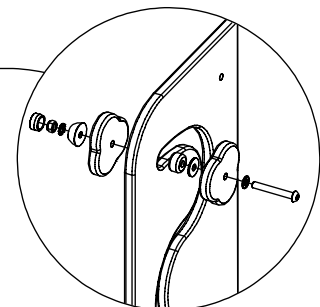
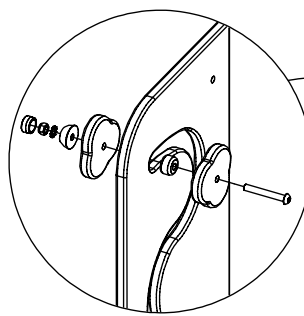
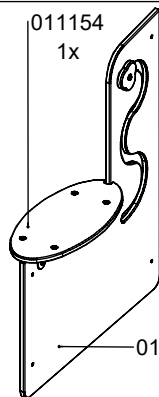
[cm]



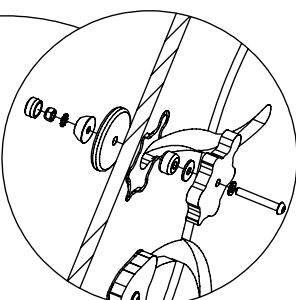
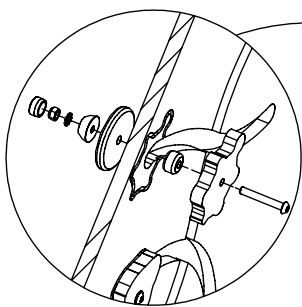
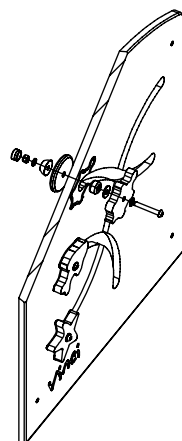
vinci
play



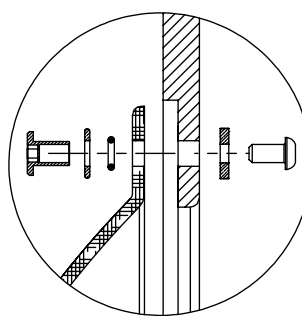
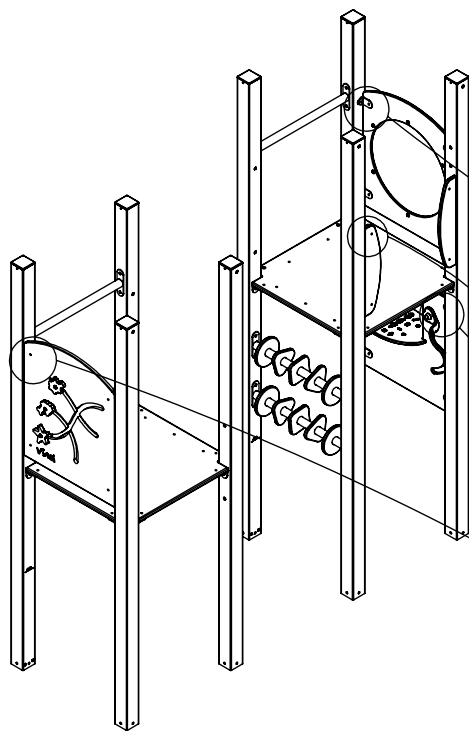
1x HDPE CE6 1x HPL CL6



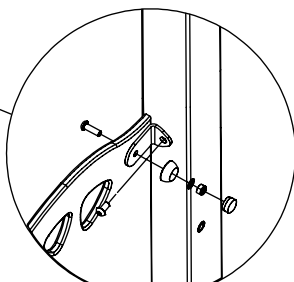
1x HDPE CE17 1x HPL CL17



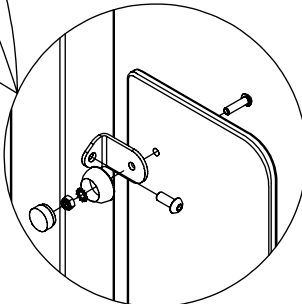
1x HDPE CE8 1x HPL CL8



1x HDPE CE9 1x HPL CL9



1x PLYWOOD CE1 1x HPL CL1

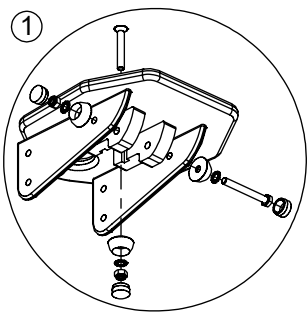


3x HDPE CE4 3x HPL CL4

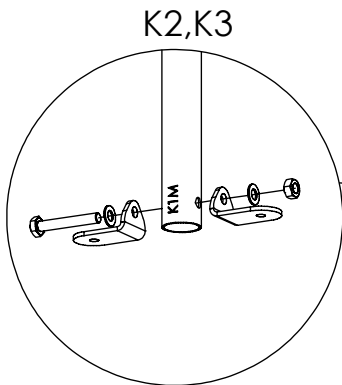
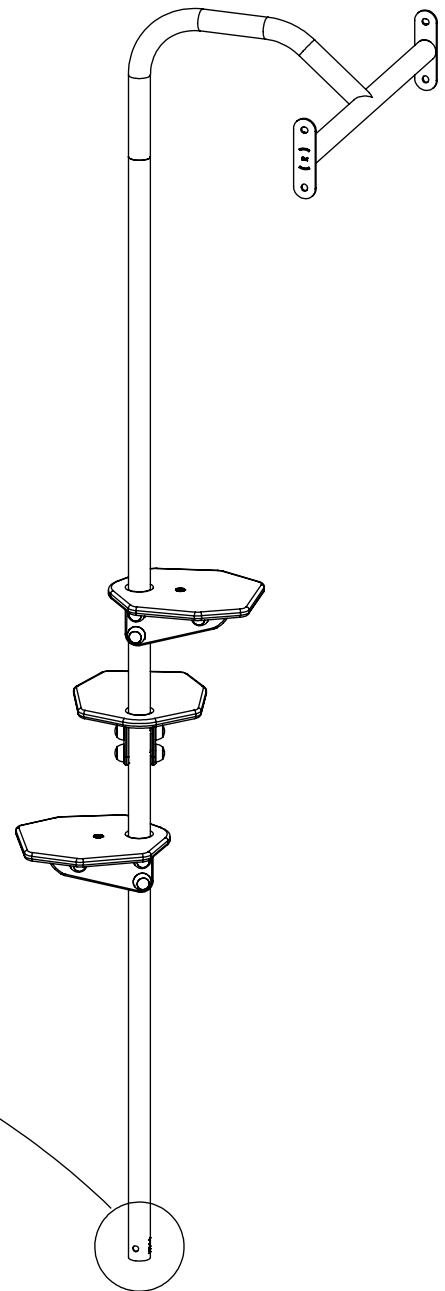
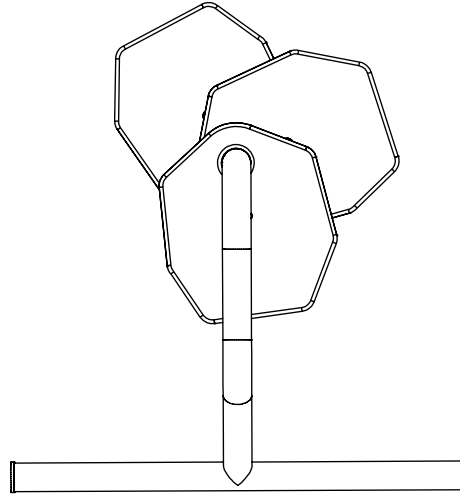
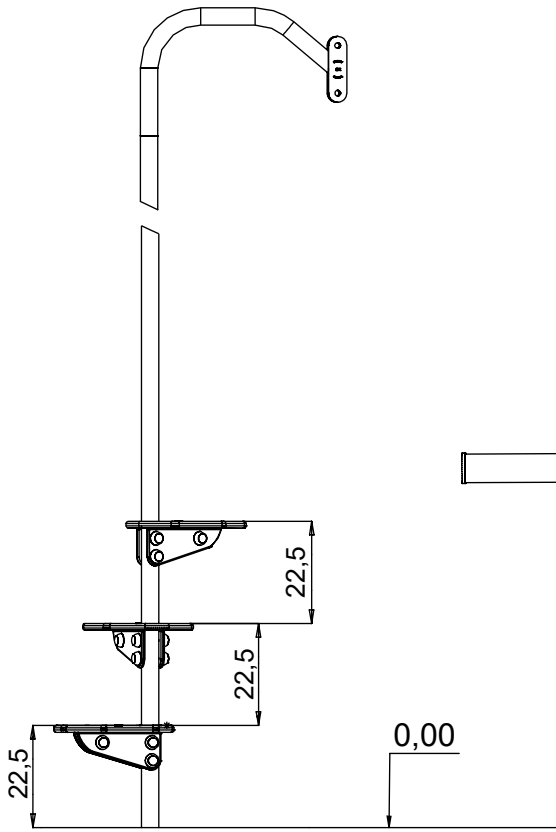
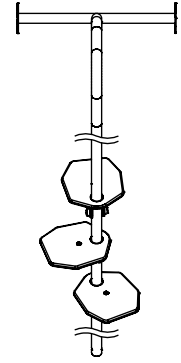
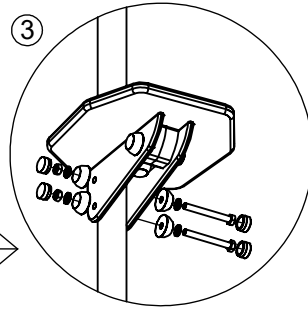
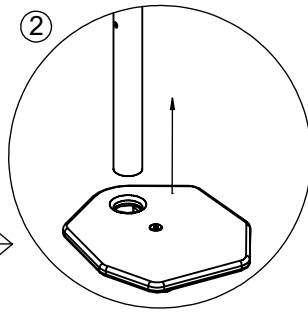
[cm]



vinci play

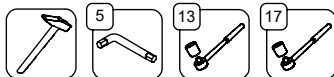


WD67 WD68

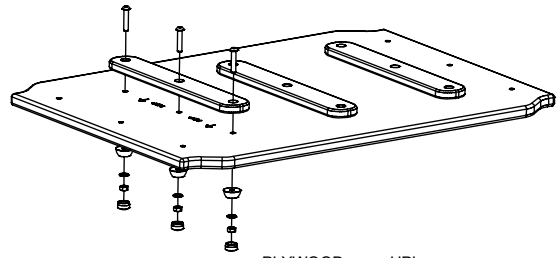
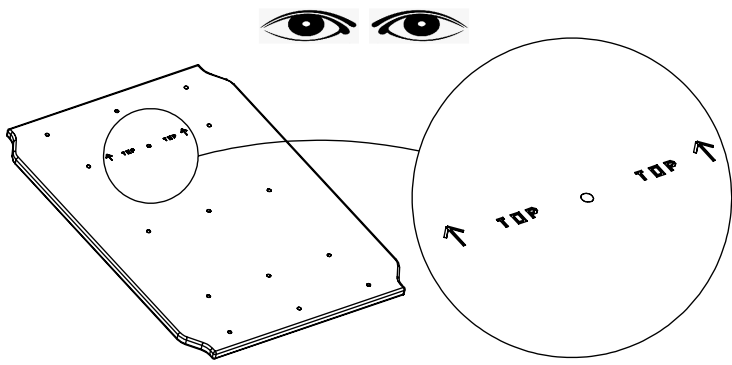


1 x E38

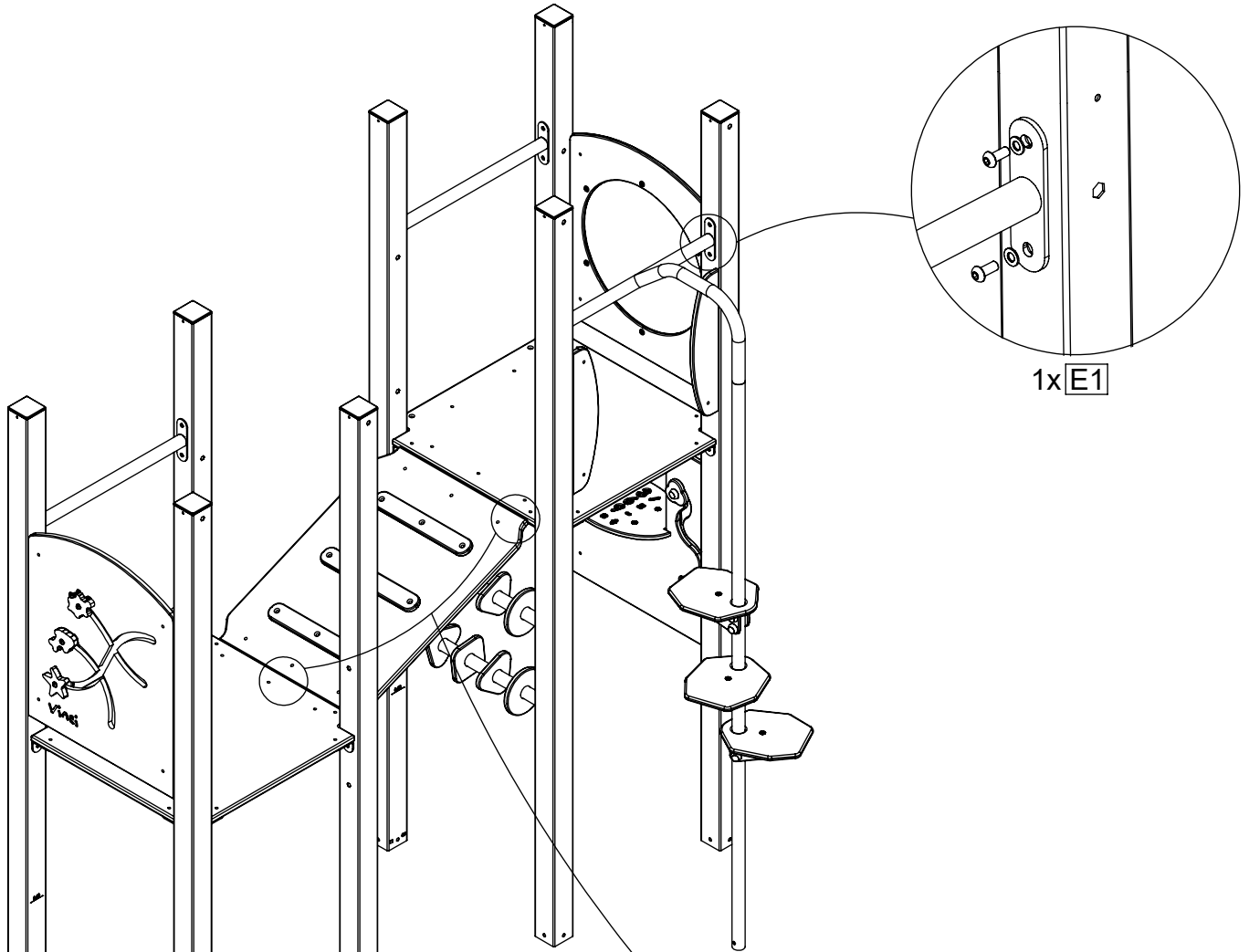
[cm]



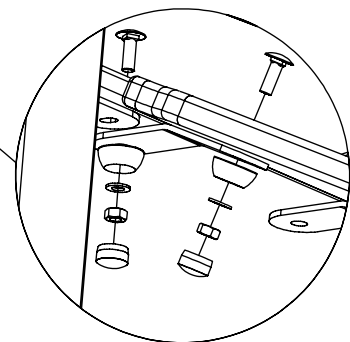
vinci
play



PLYWOOD PS12 HPL PH12
1x



1x E1



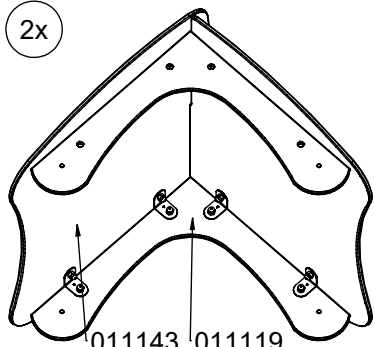
PLYWOOD PS12 HPL PH12

[cm]

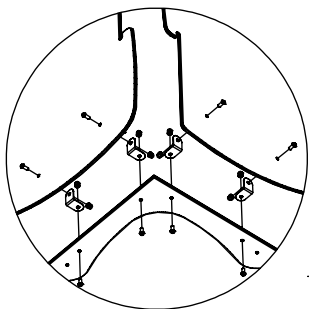


vinci
play

2x

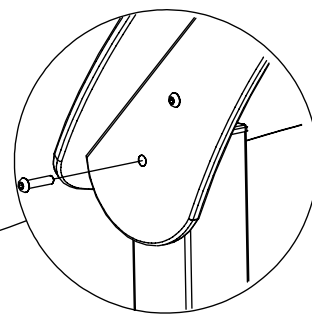
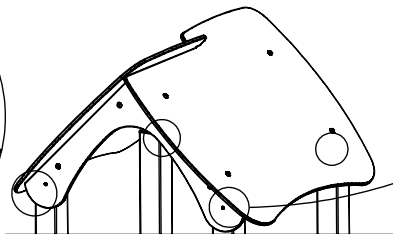


011143 011119
2x 2x



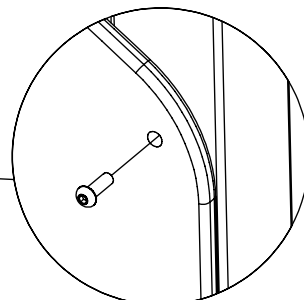
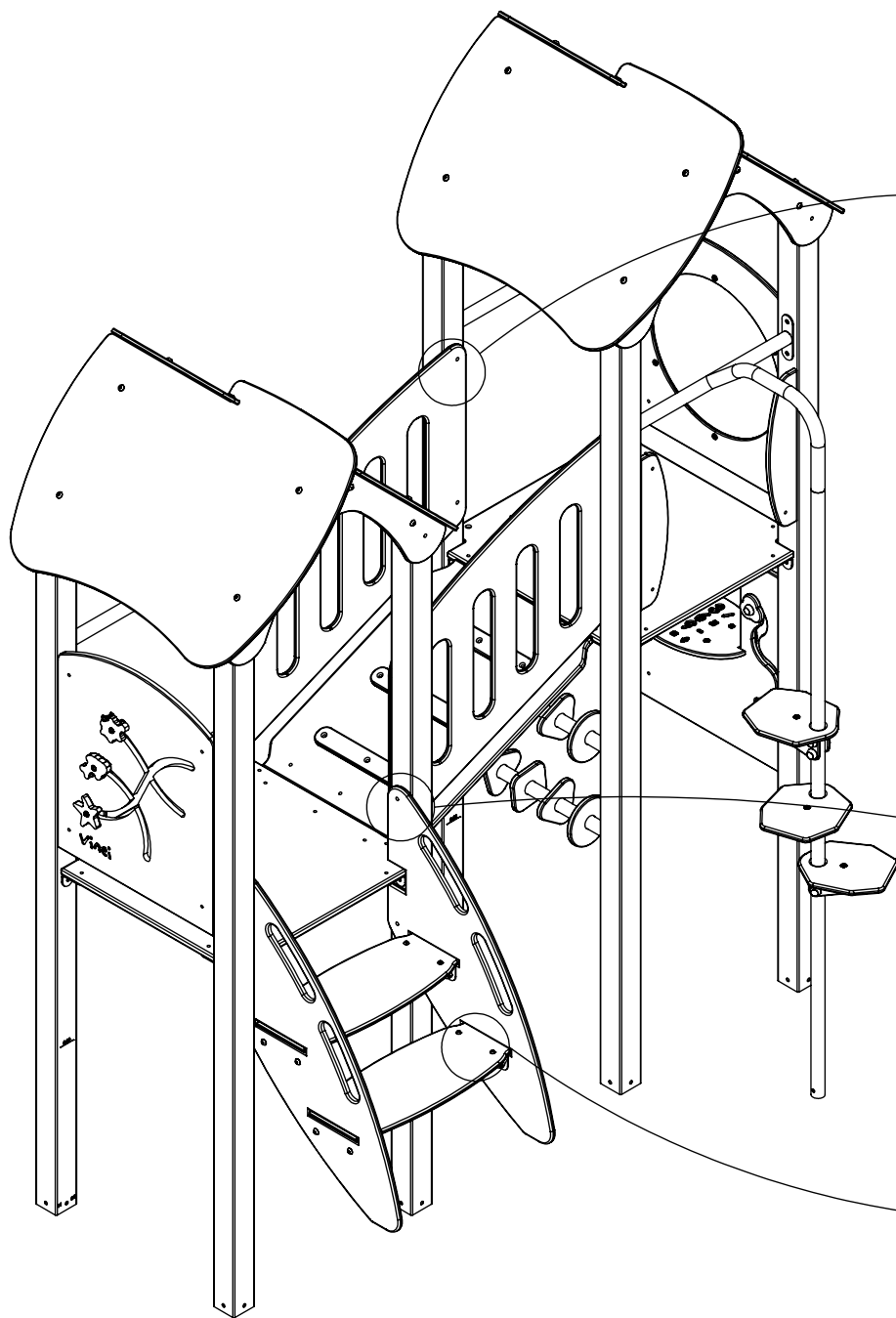
1x

HDPE	HPL
CE3	CL3



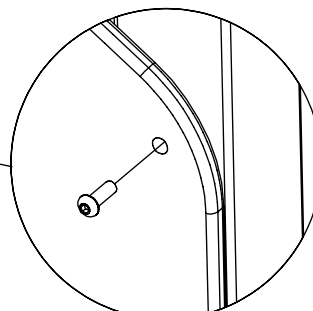
1x

HDPE	HPL
CE111	CL111



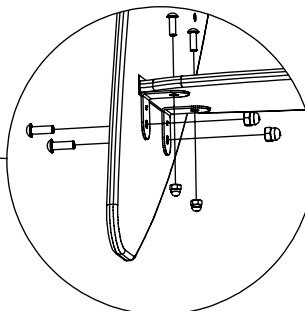
1x

E14



1x

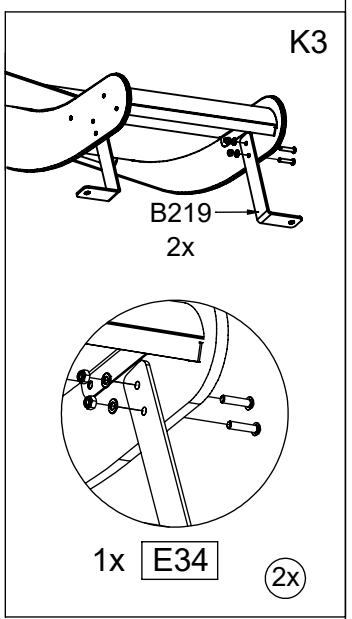
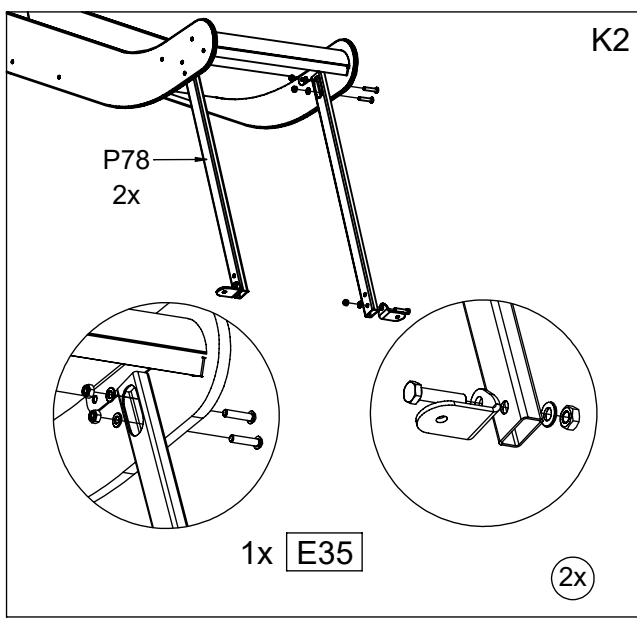
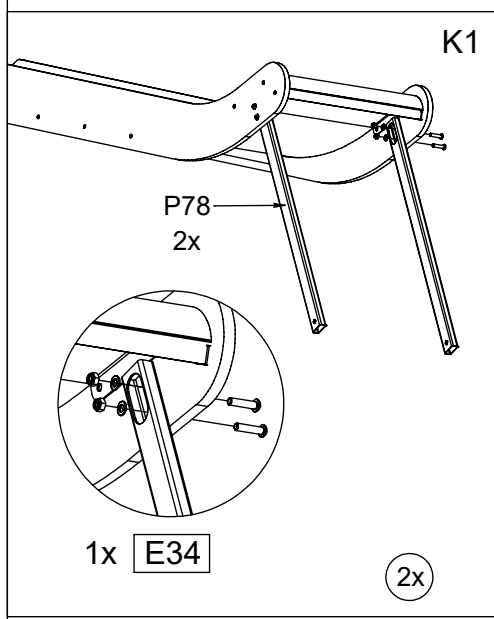
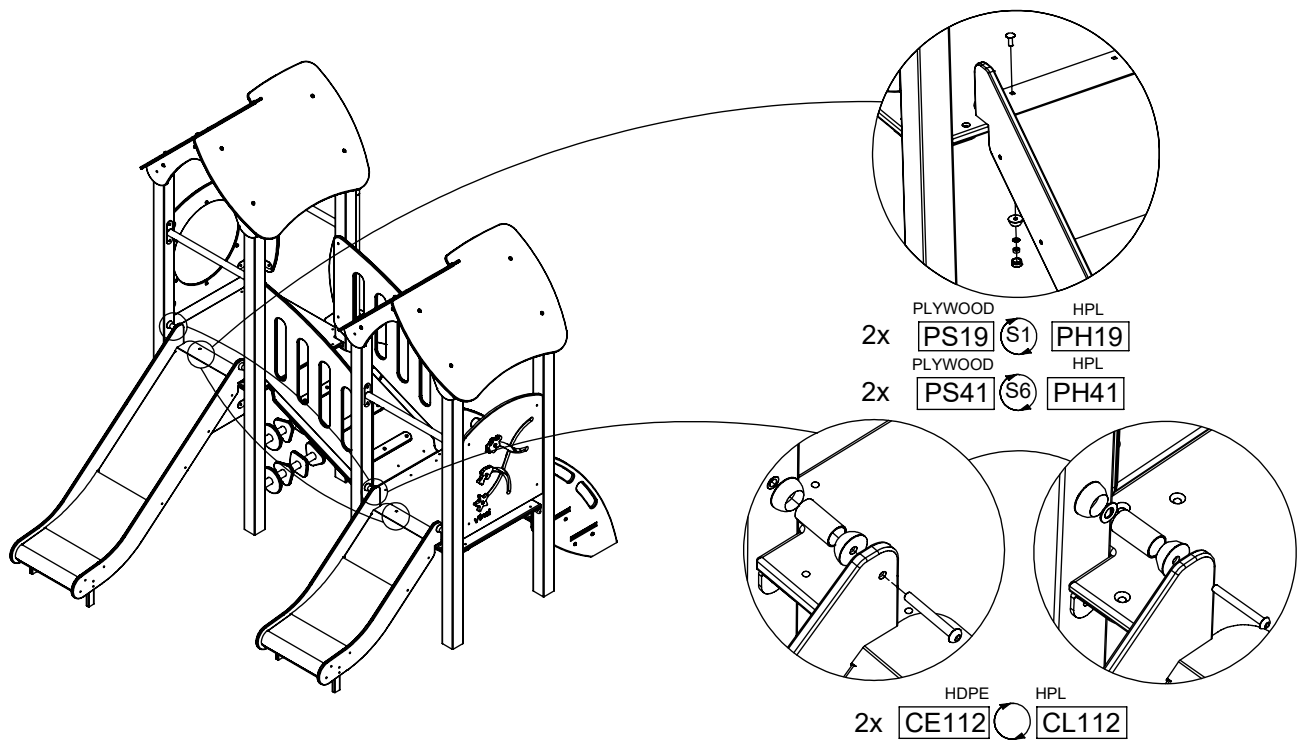
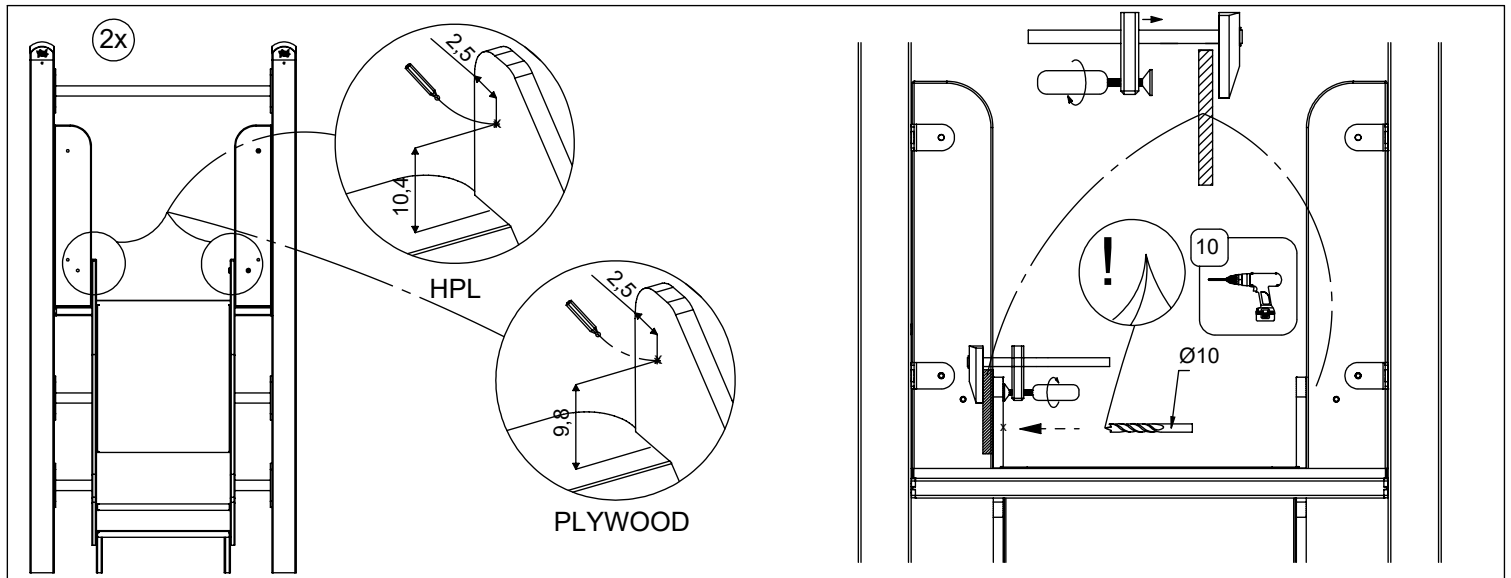
HDPE	HPL
CE7	CL7



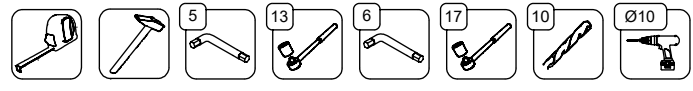
[cm]



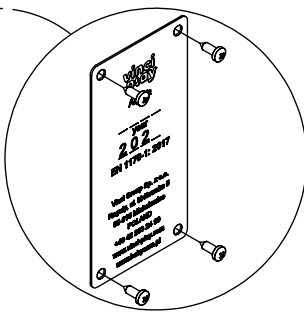
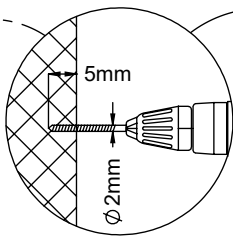
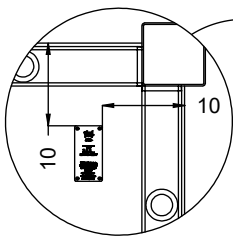
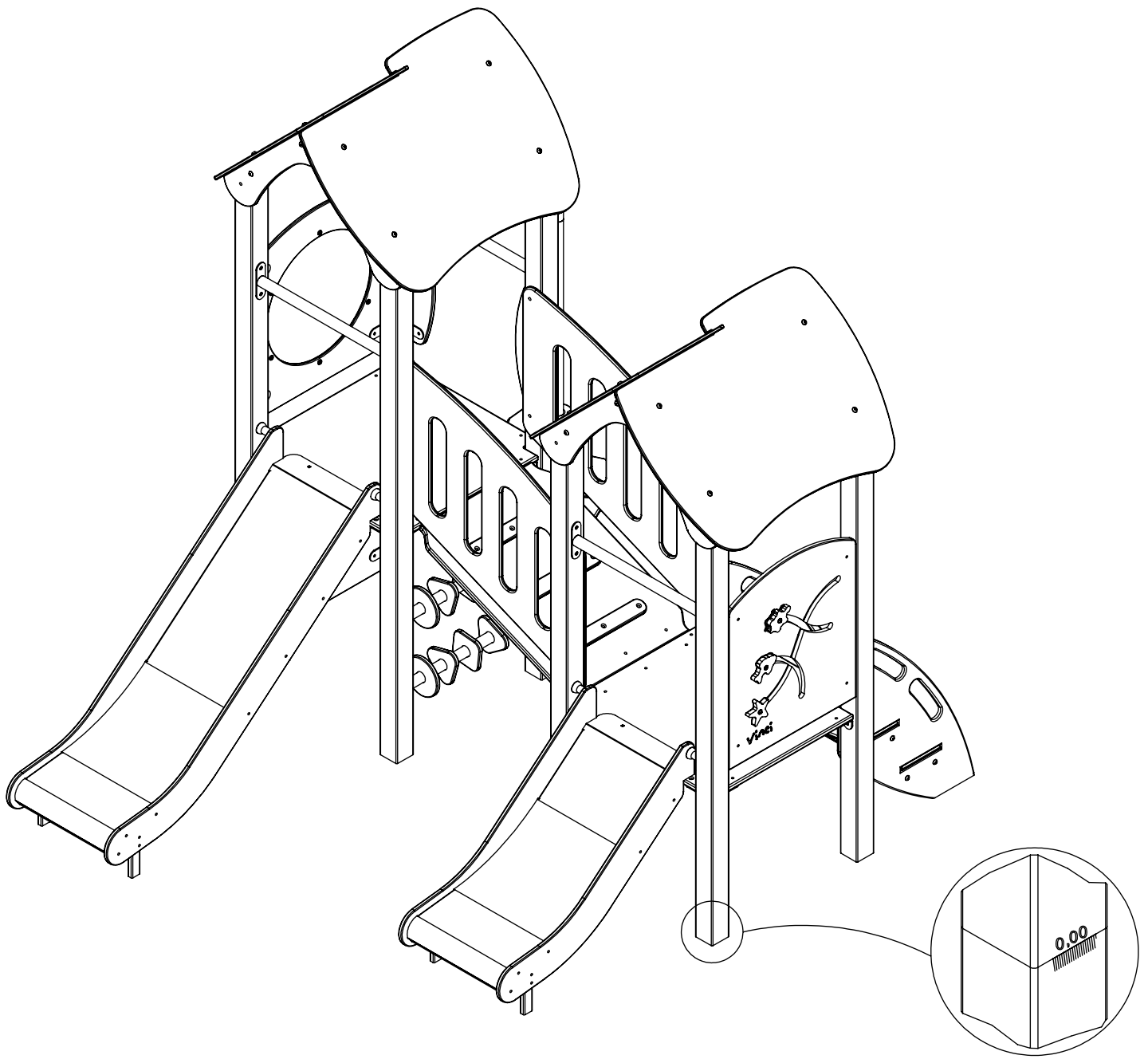
vinci
play



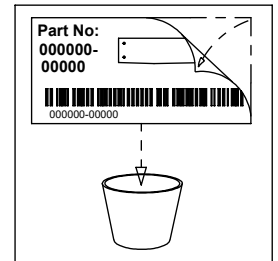
[cm]



vinci
play



V001



[cm]



vinci
play