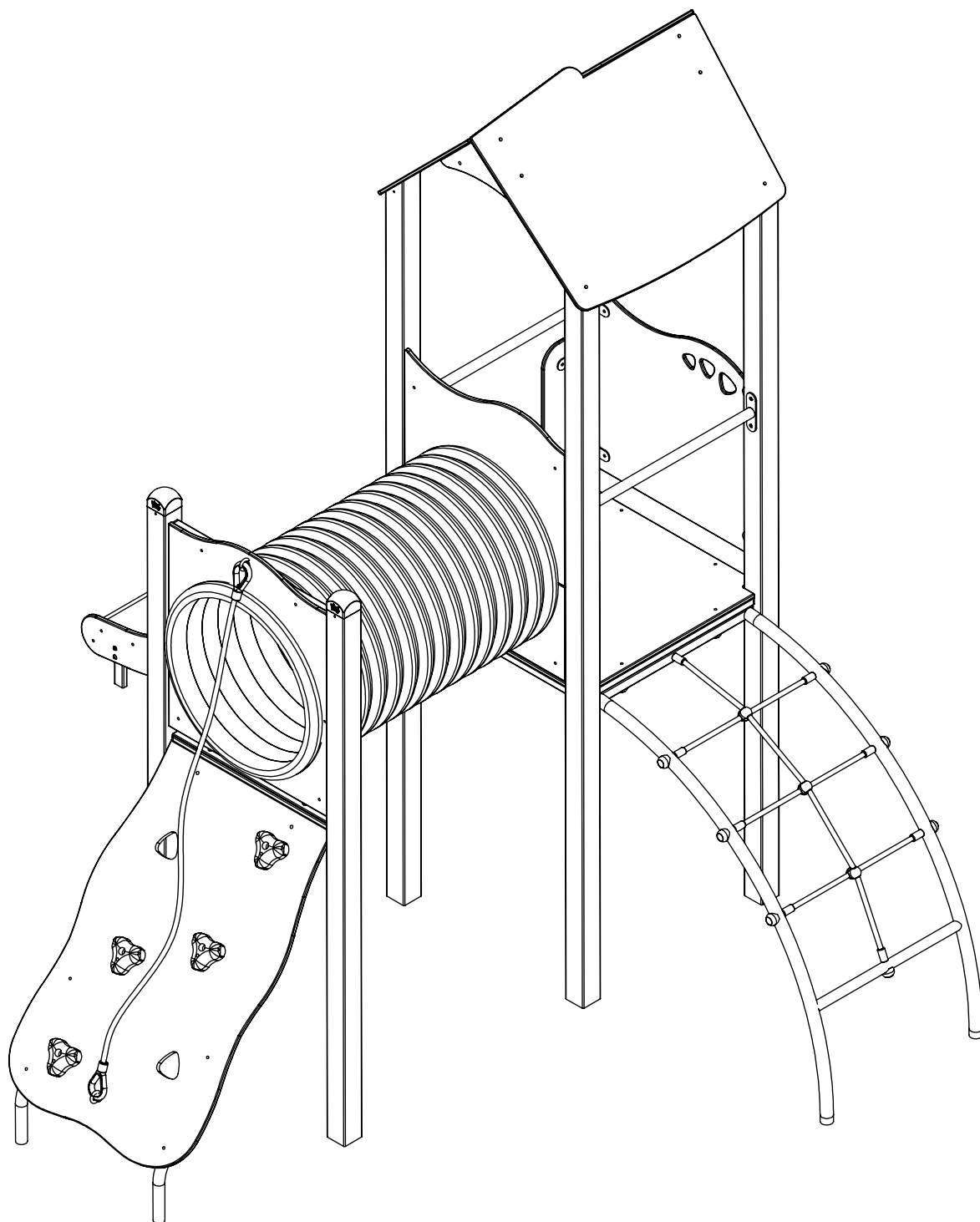
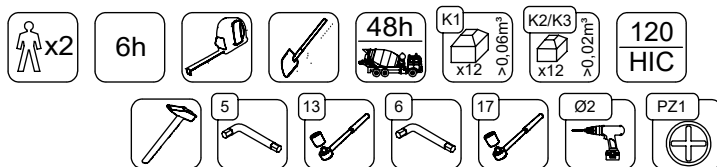


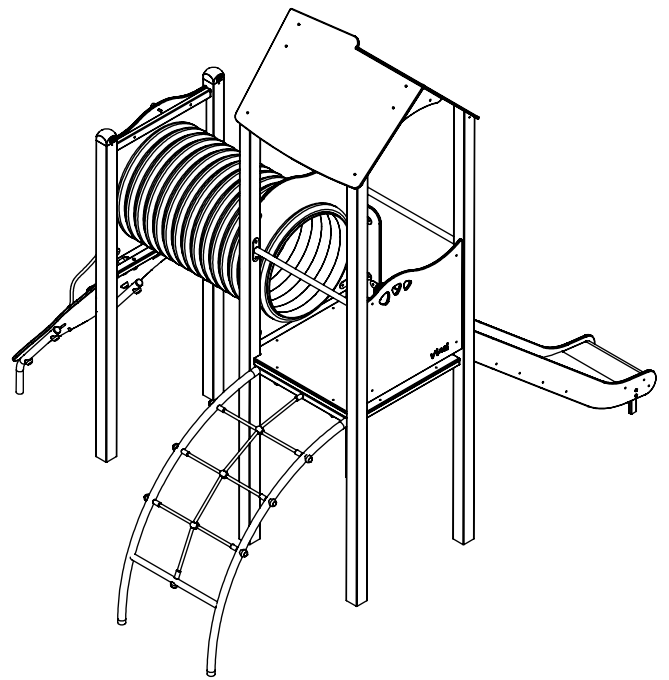
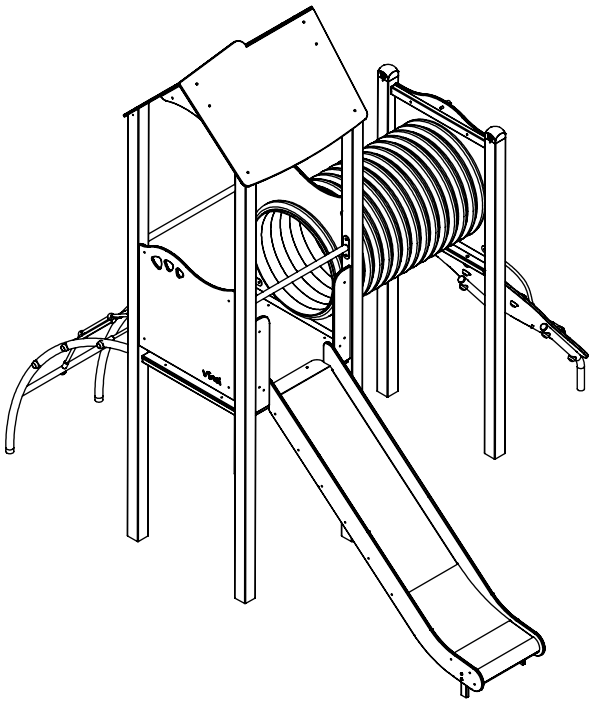
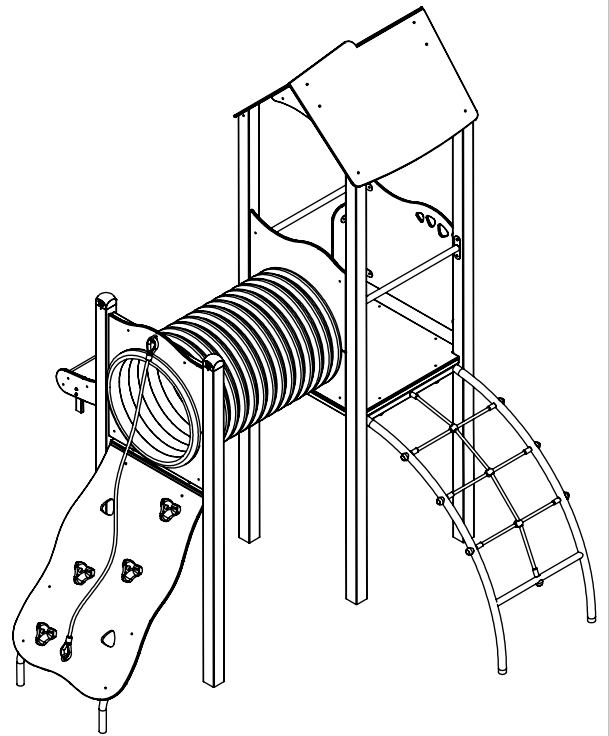
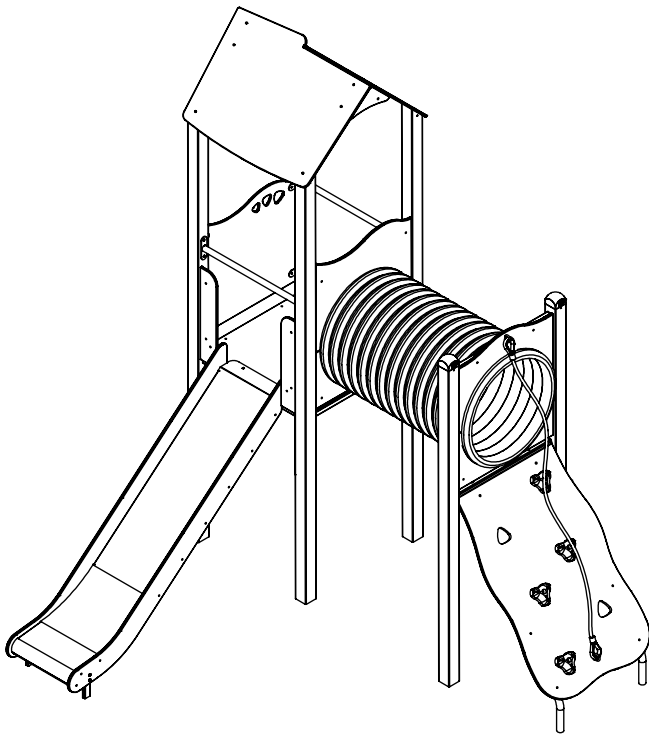
0202-1



v013
17.05.2021
A. P.
[cm]

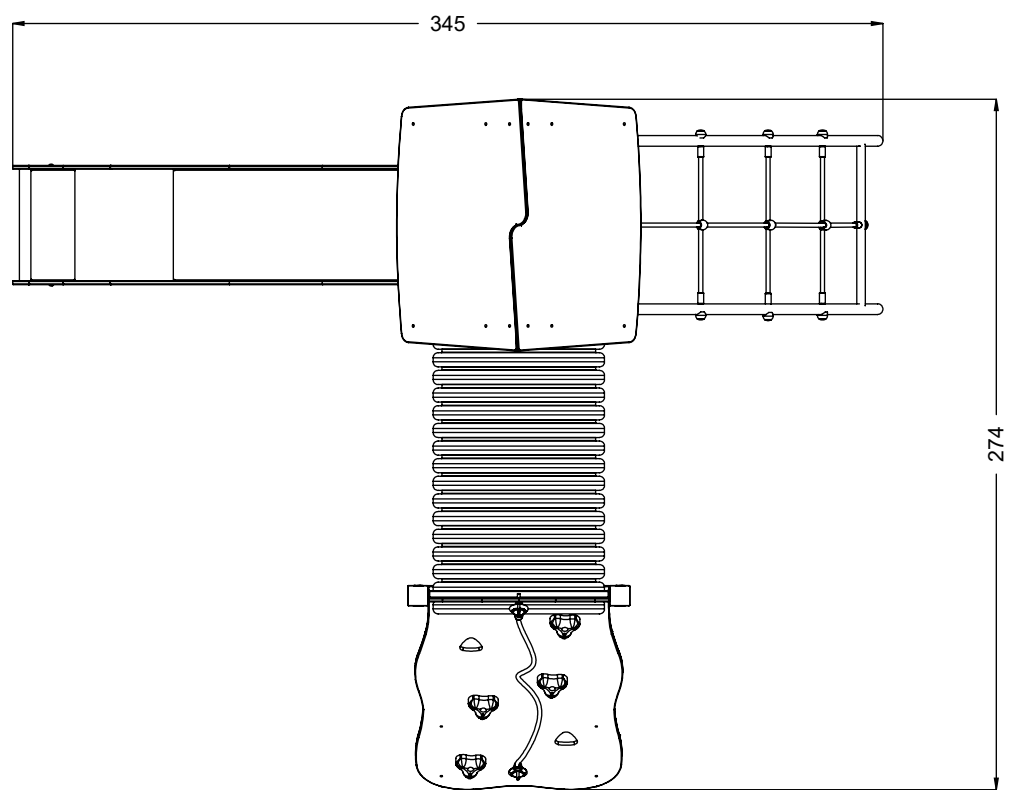
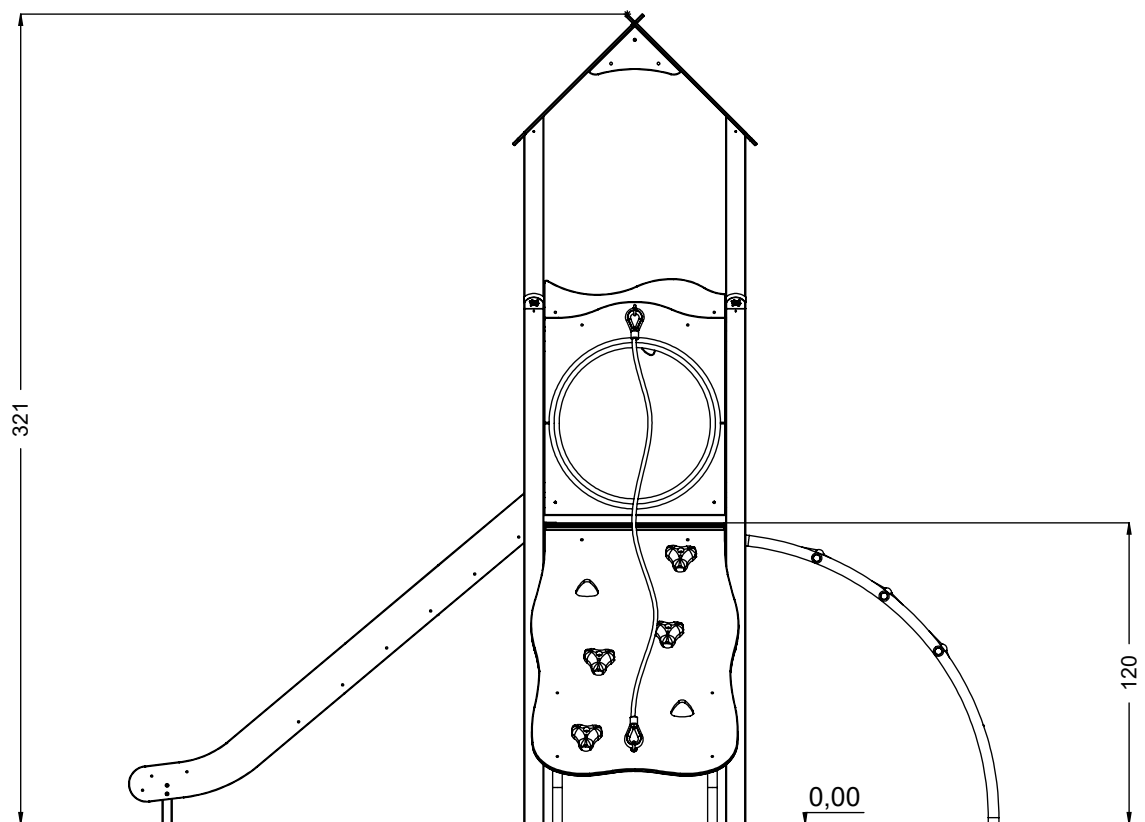


vinci
play



[cm]

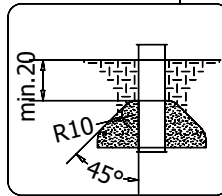
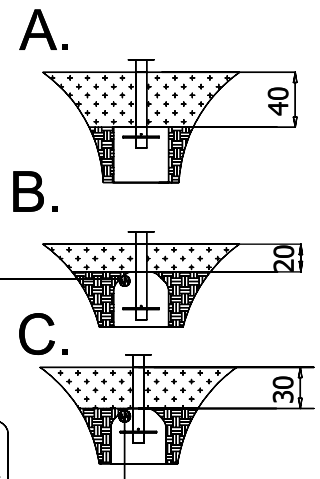
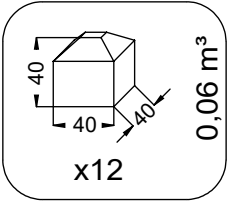
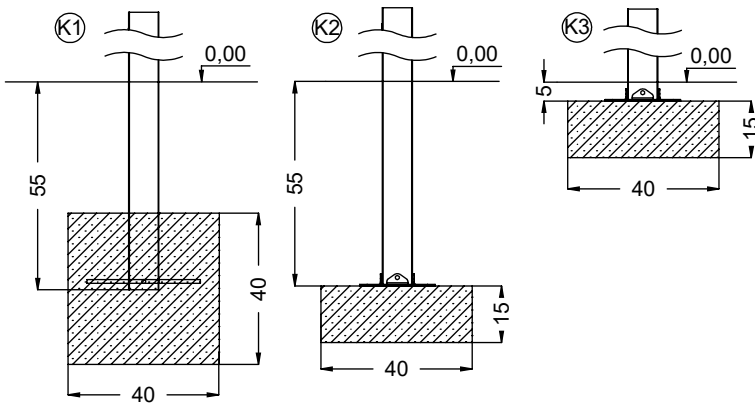
vinci
play









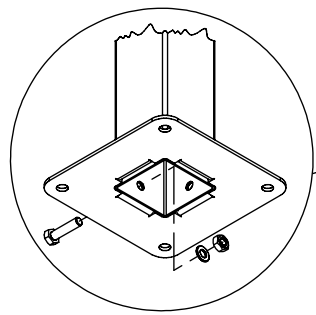
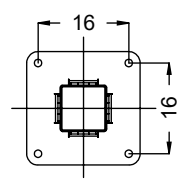
[cm]



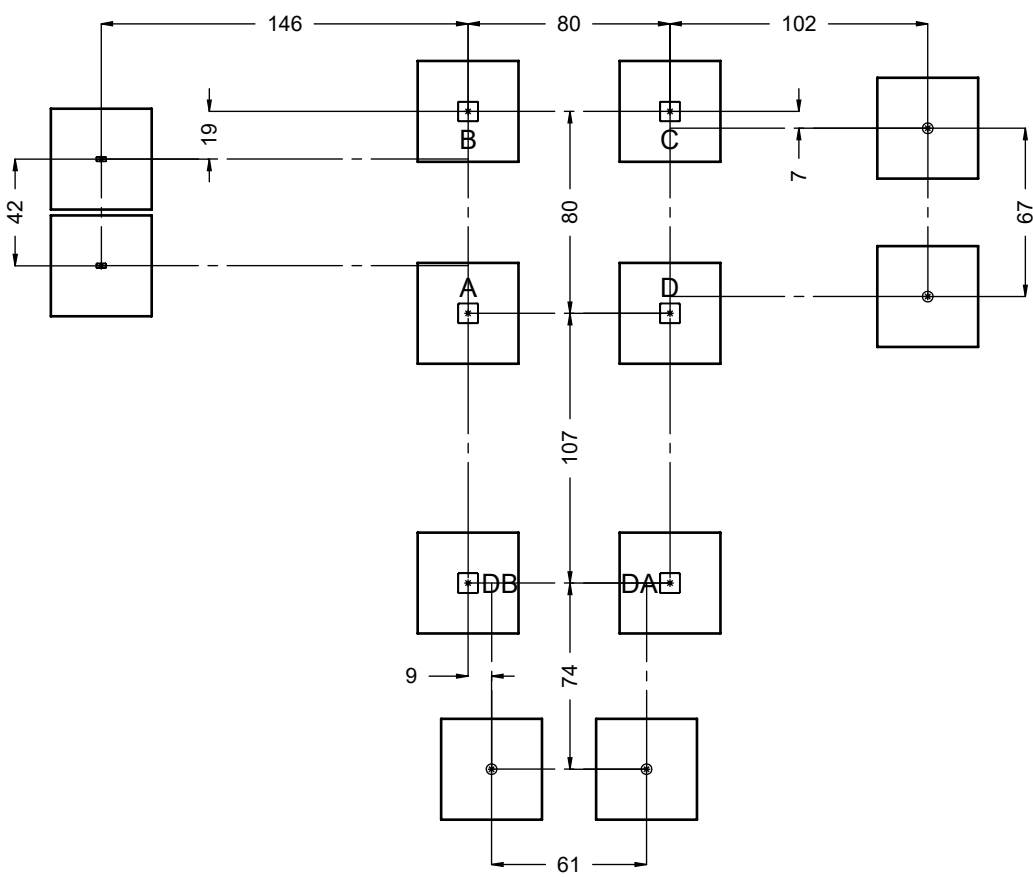
vinci
play



24x M10x120 (K2)	6x M8x120 (K2)
26x M10x120 (K3)	4x M8x120 (K3)
	
	
NOT INCLUDED 	NOT INCLUDED 



E37



[cm]

	6h			48h 	K1  >0,06m³	K2/K3  >0,02m³
---	----	---	---	---	--	--

vinci play



202A
x1



202B
x1



202C
x1



202D
x1



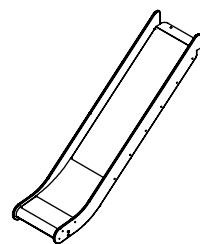
02DA
x1



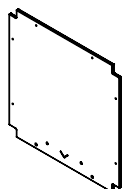
02DB
x1



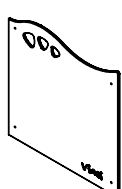
025142
x1



994104
x1



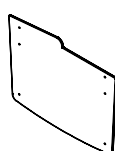
021102
x1



021100
x1



021152
x2



021133
x2



021134
x2



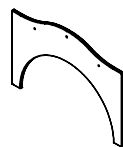
021135
x1



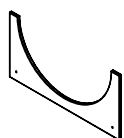
021160
x1



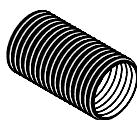
022100
x4



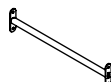
021147
x1



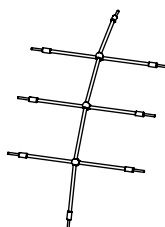
021106
x1



996104
x1



022102
x5



025144
x1



021105
x1



021106
x1



021185
x1



021186
x1



021187
x2

HDPE

HPL

K1, K2

K3

K1, K2

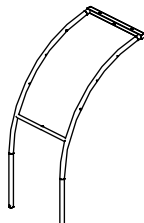
K3



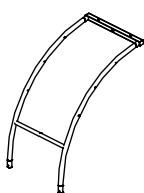
P78
x2



b219-2
x2



022106
x1



022120
x1

K1, K2

K3

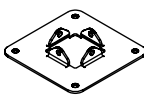
K2, K3



992100
x2

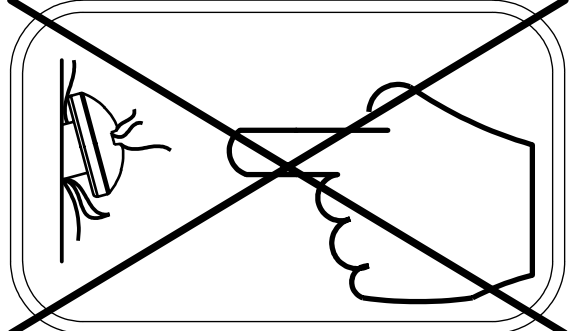
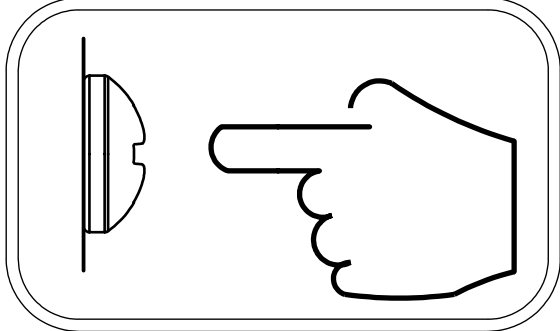
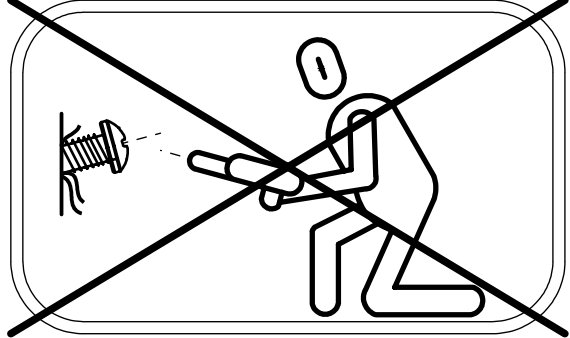


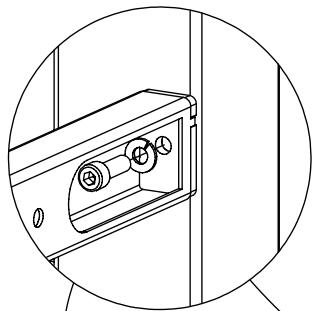
992104
x2



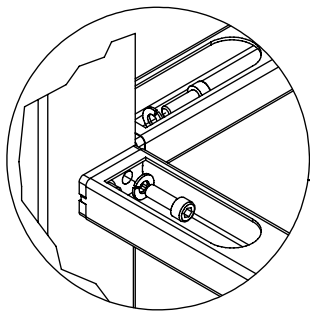
B231
x6

ST/INOX		PLYWOOD / HDPE		HPL	
	E37 (K2, K3)	1 x	E8 (S1)	1 x	E9 (S1)
1x	E34 (K1, K3)	1 x	E152 (S6)	1 x	E153 (S6)
1x	E35 (K2)	1 x	CE2	1 x	CL2
2x	E88 (K2, K3)	1 x	E4	1 x	E5
2x	E1	2 x	CE1	2 x	CL1
1x	E3	1 x	PS55	1 x	PH55
1x	E42	1 x	CE4	1 x	CL4
1x	E89	1 x	PS2	1 x	PH2
1x	E239	1 x	CE31	1 x	CL31
1x	V001	1 x	CE111	1 x	CL111
		1 x	PS91	1 x	PH91
				1 x	E130

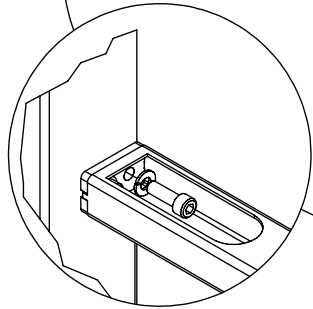




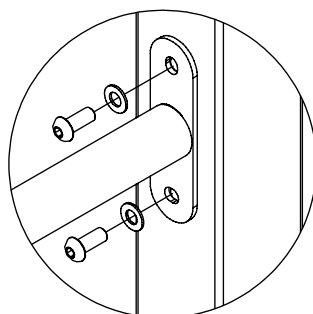
1x E42



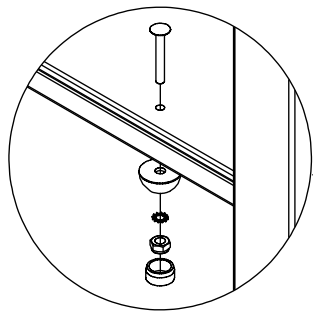
1x E3



022100
6x



2x E1

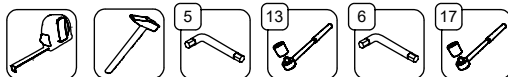


PLYWOOD HPL
1x PS2 PH2

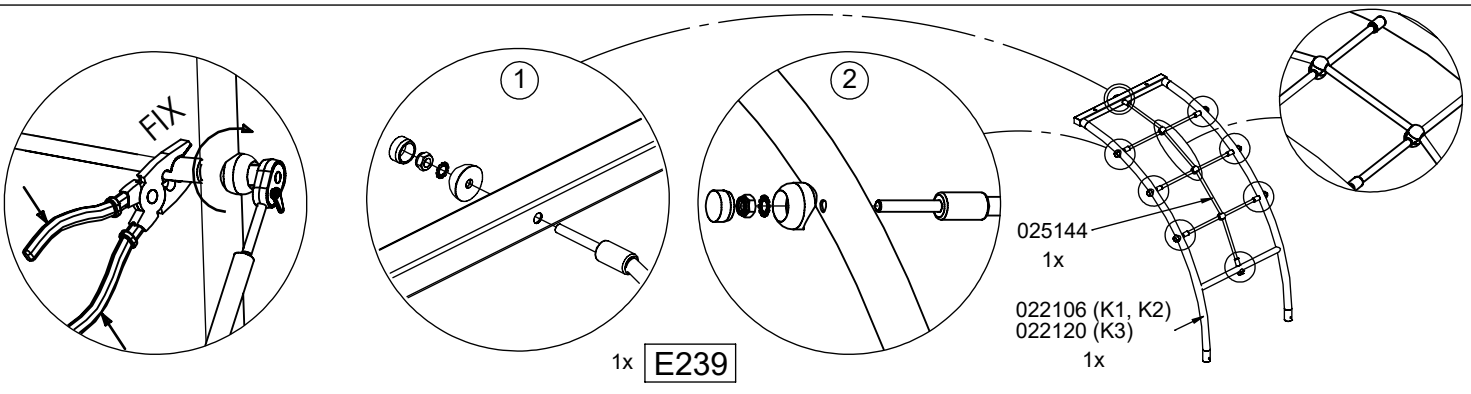
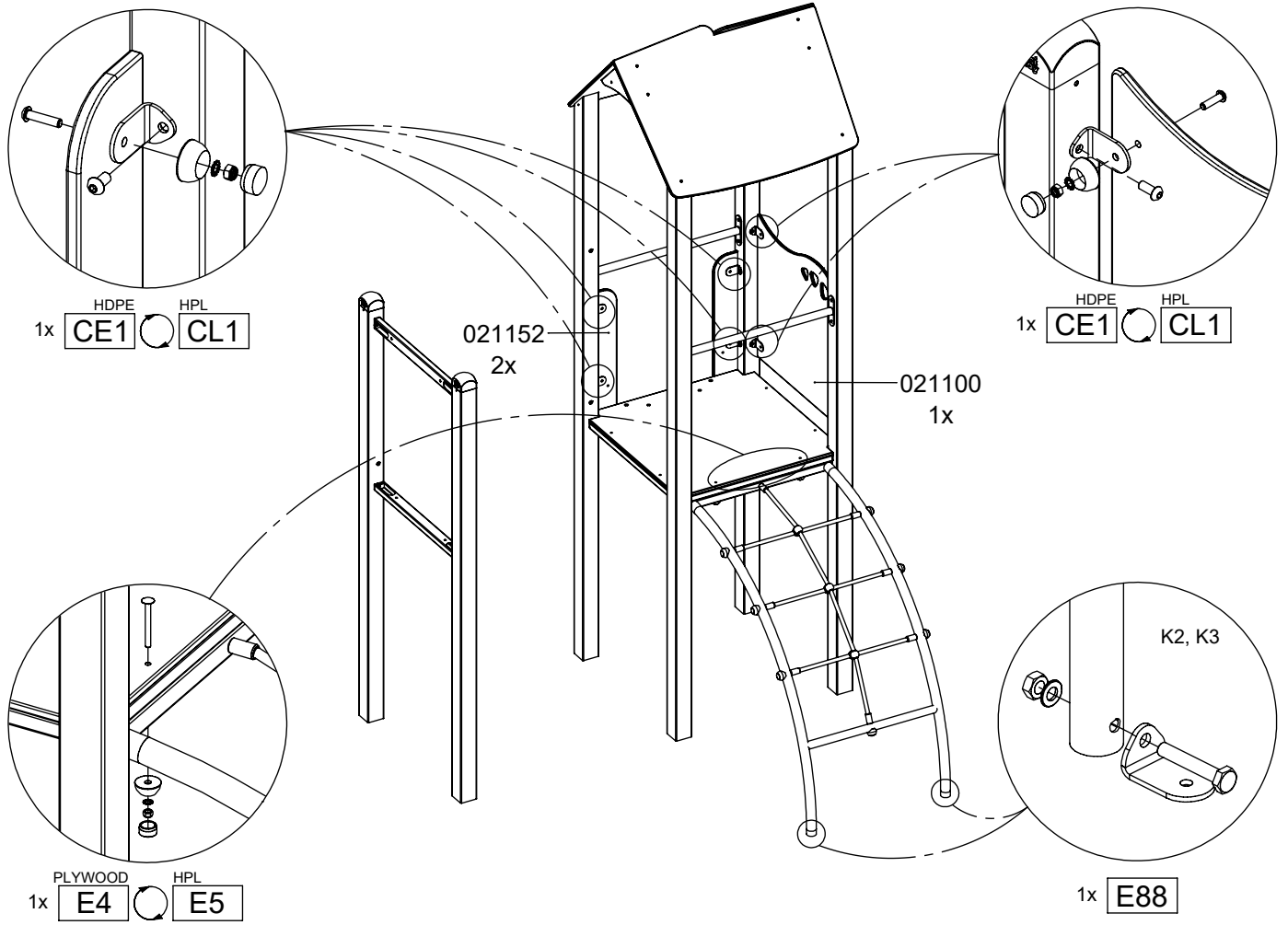
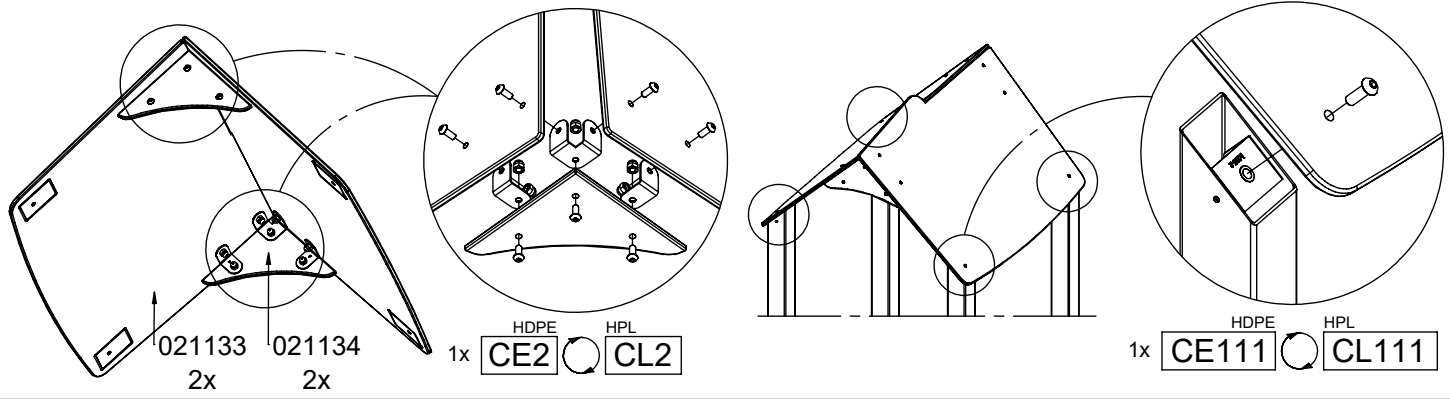
022102
2x

021102
1x

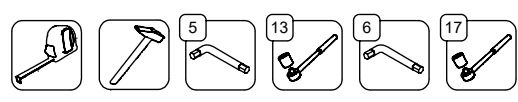
[cm]



vinci
play

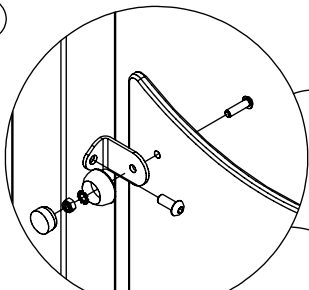


[cm]



vinci
play

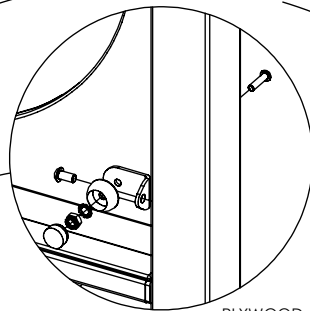
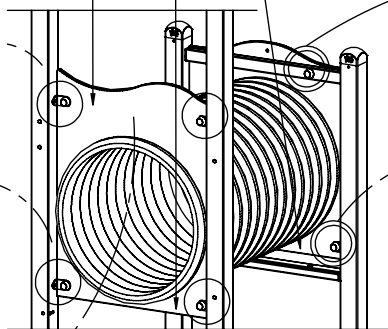
1x



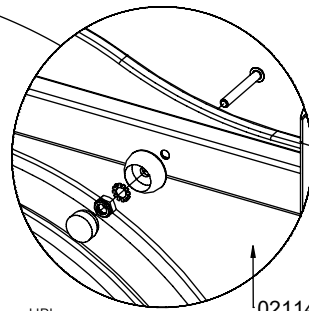
1x HDPE CE4 1x HPL CL4

021105
1x

021106
2x

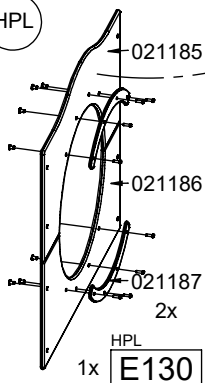


1x PLYWOOD PS55 1x HPL PH55



021147
1x

HPL



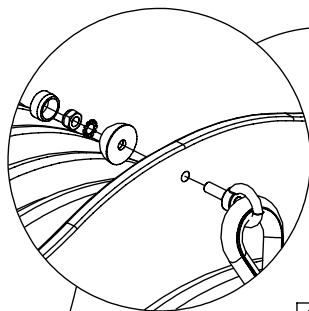
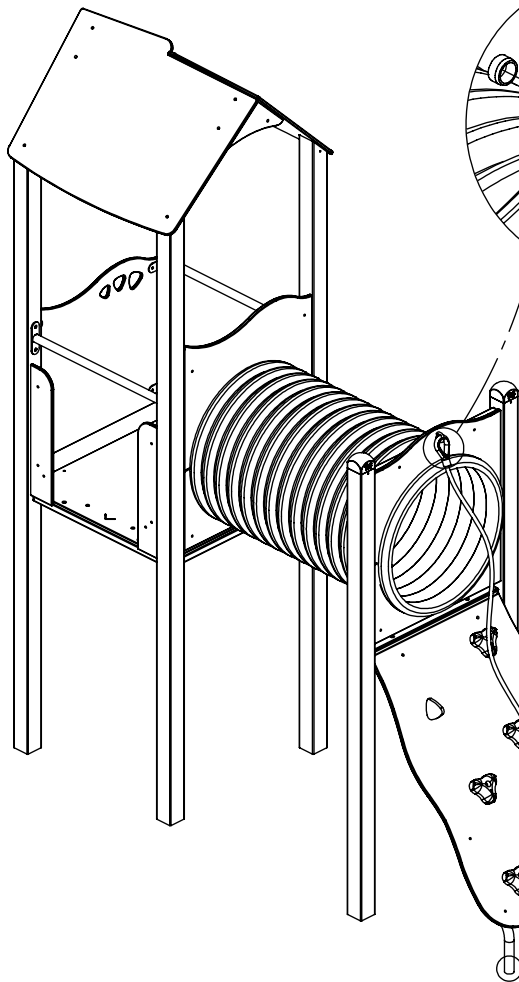
021185

021186

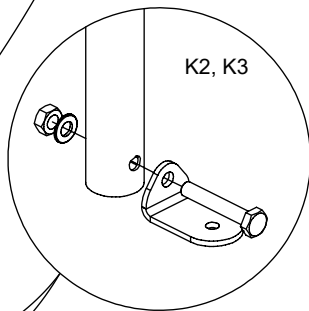
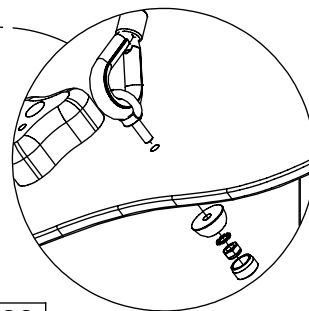
021187
2x

HPL E130

1x



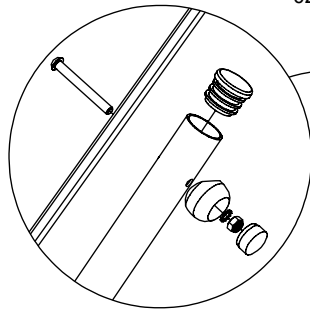
1x E89



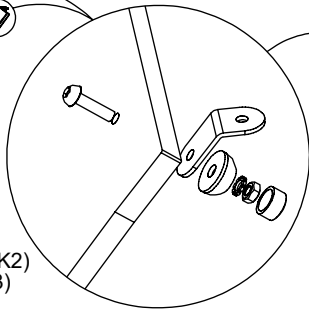
K2, K3

1x E88

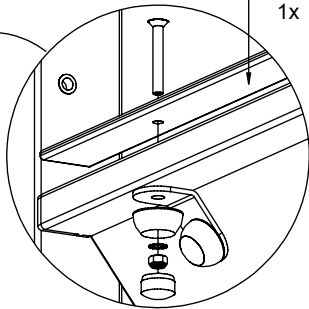
021135
1x



992100 (K1, K2)
992104 (K3)
2x

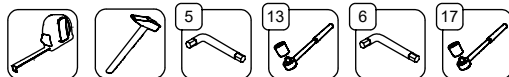


021160
1x

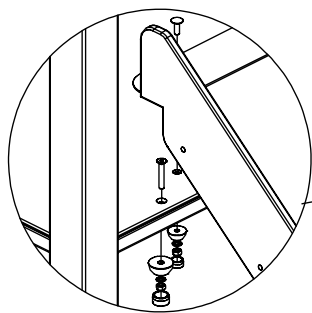


1x PLYWOOD PS91 1x HPL PH91

[cm]



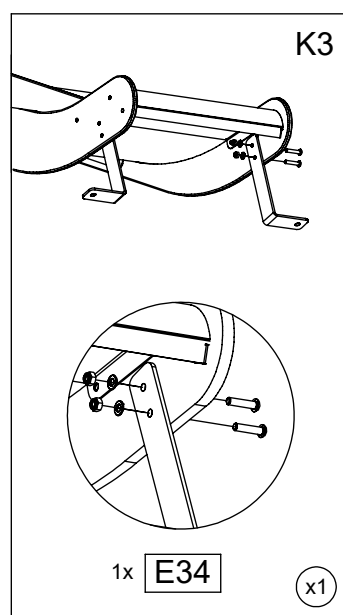
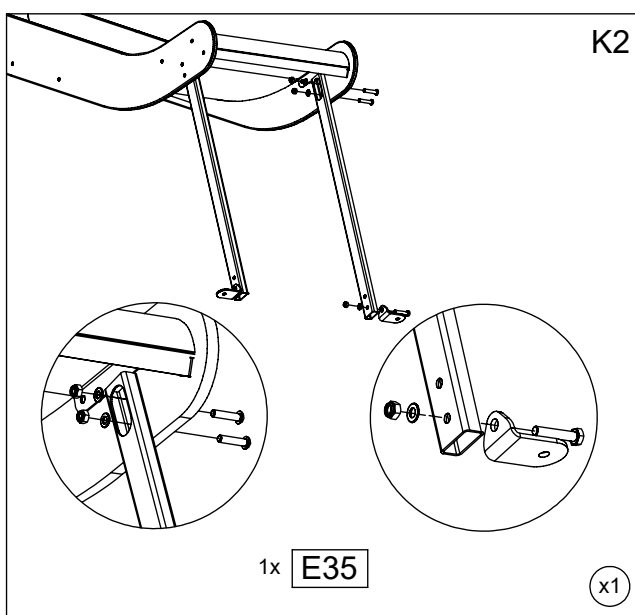
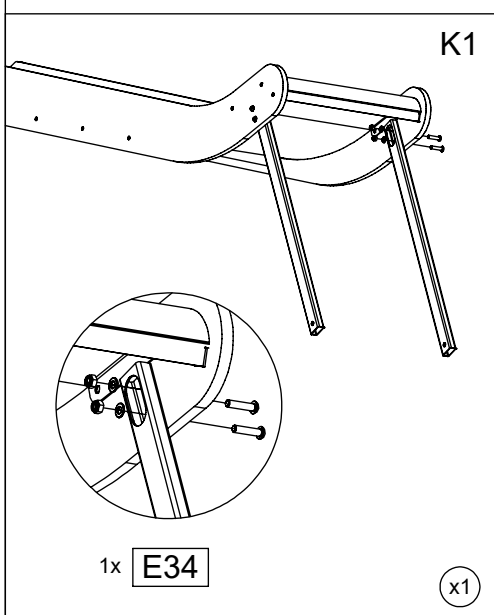
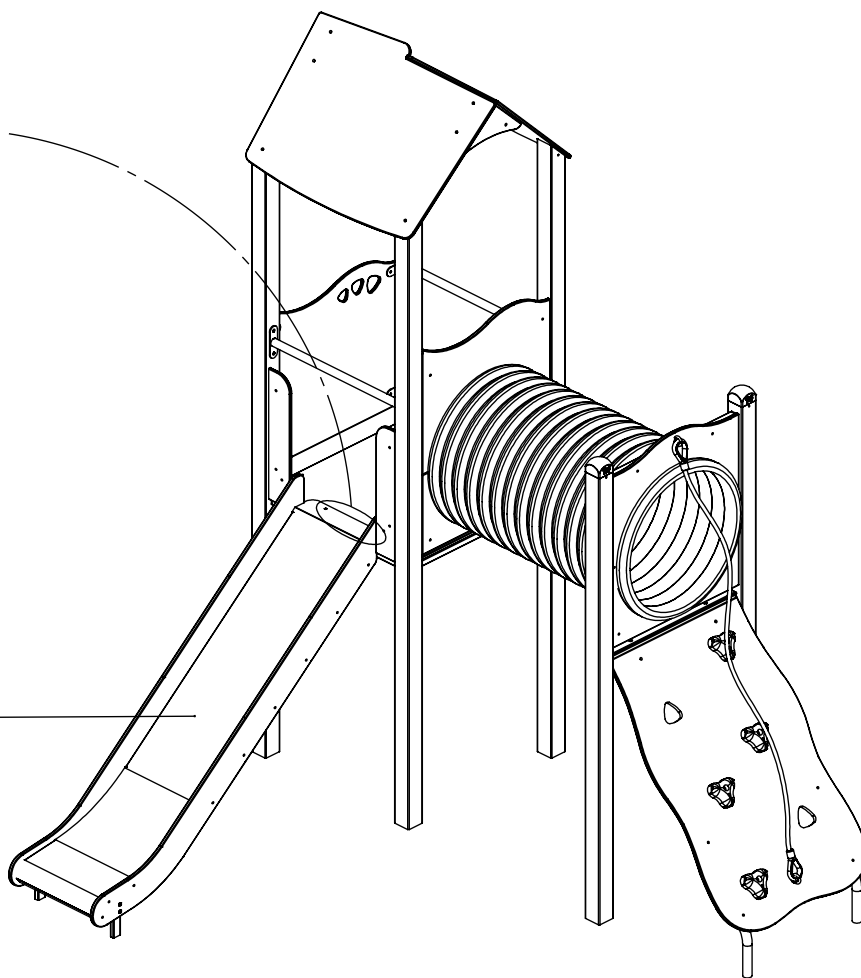
vinci
play



PLYWOOD HPL
1x **E8** (S1) **E9**

PLYWOOD HPL
1x **E152** (S6) **E153**

994104
1x

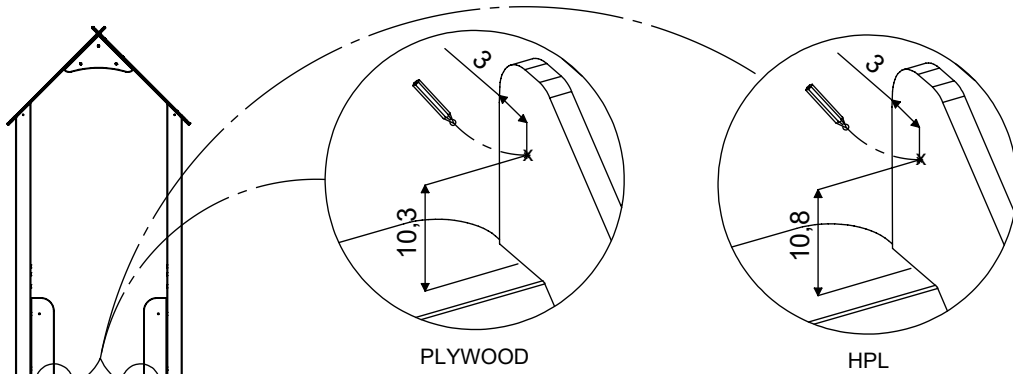


[cm]



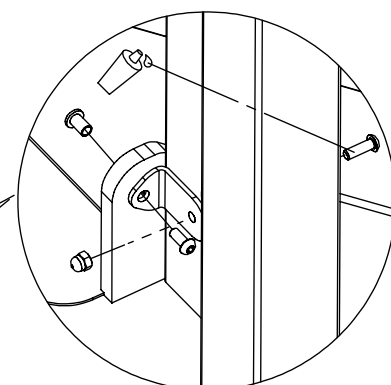
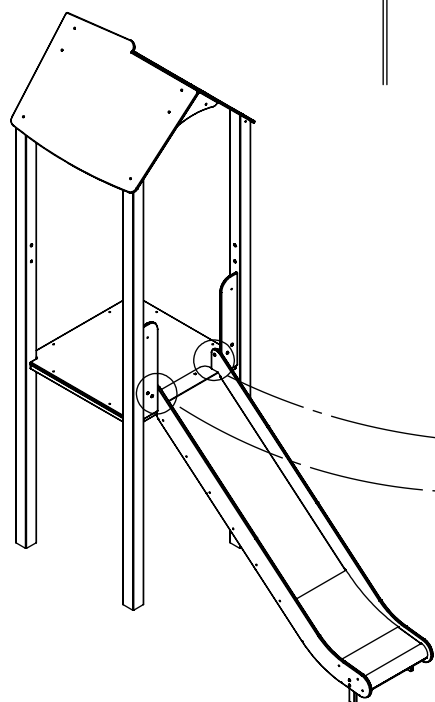
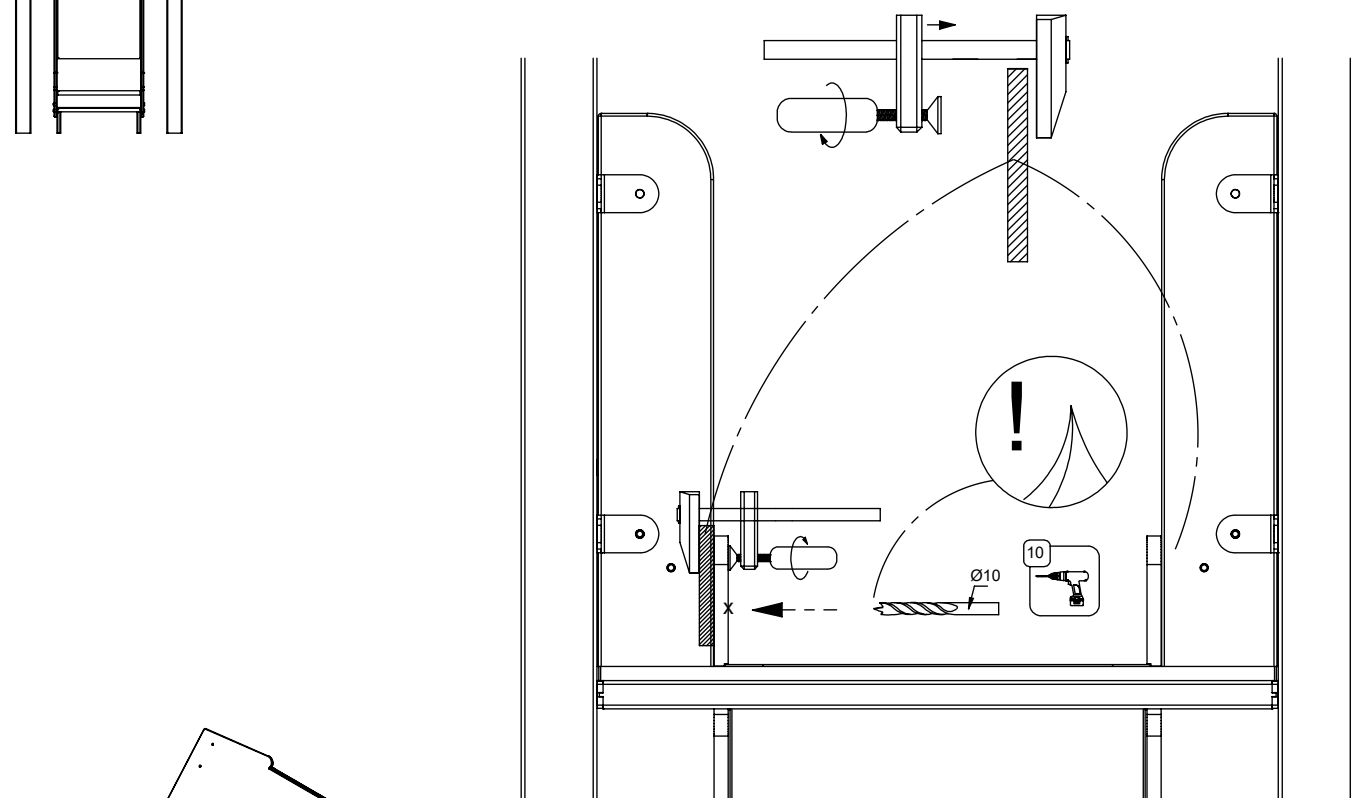
vinci
play

1x



PLYWOOD

HPL



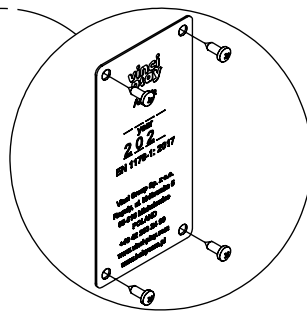
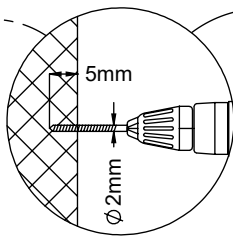
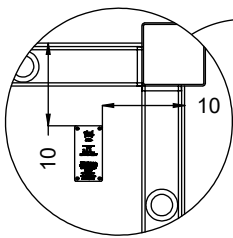
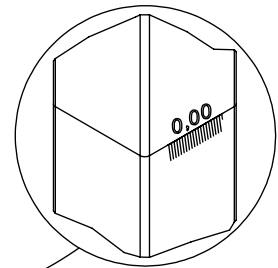
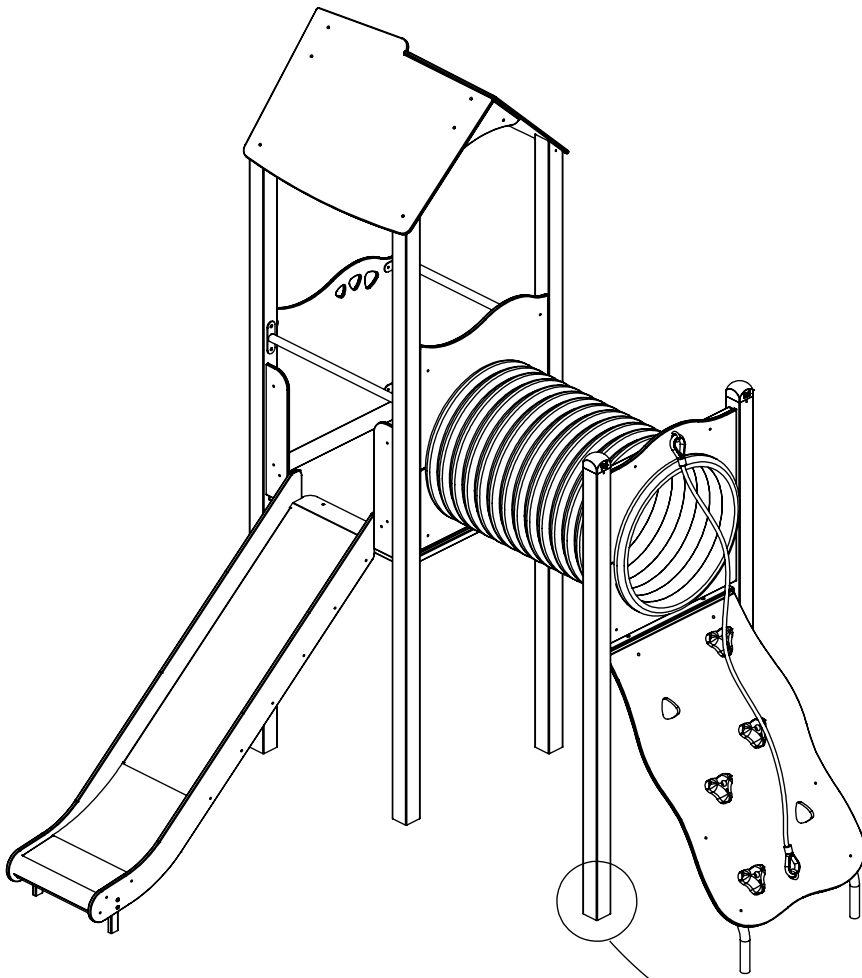
1x

HDPE	HPL
CE31	CL31

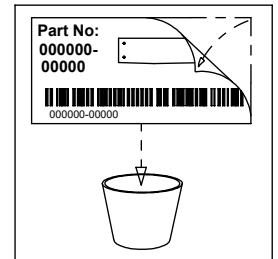


[cm]

vinci play



V001



[cm]



vinci
play