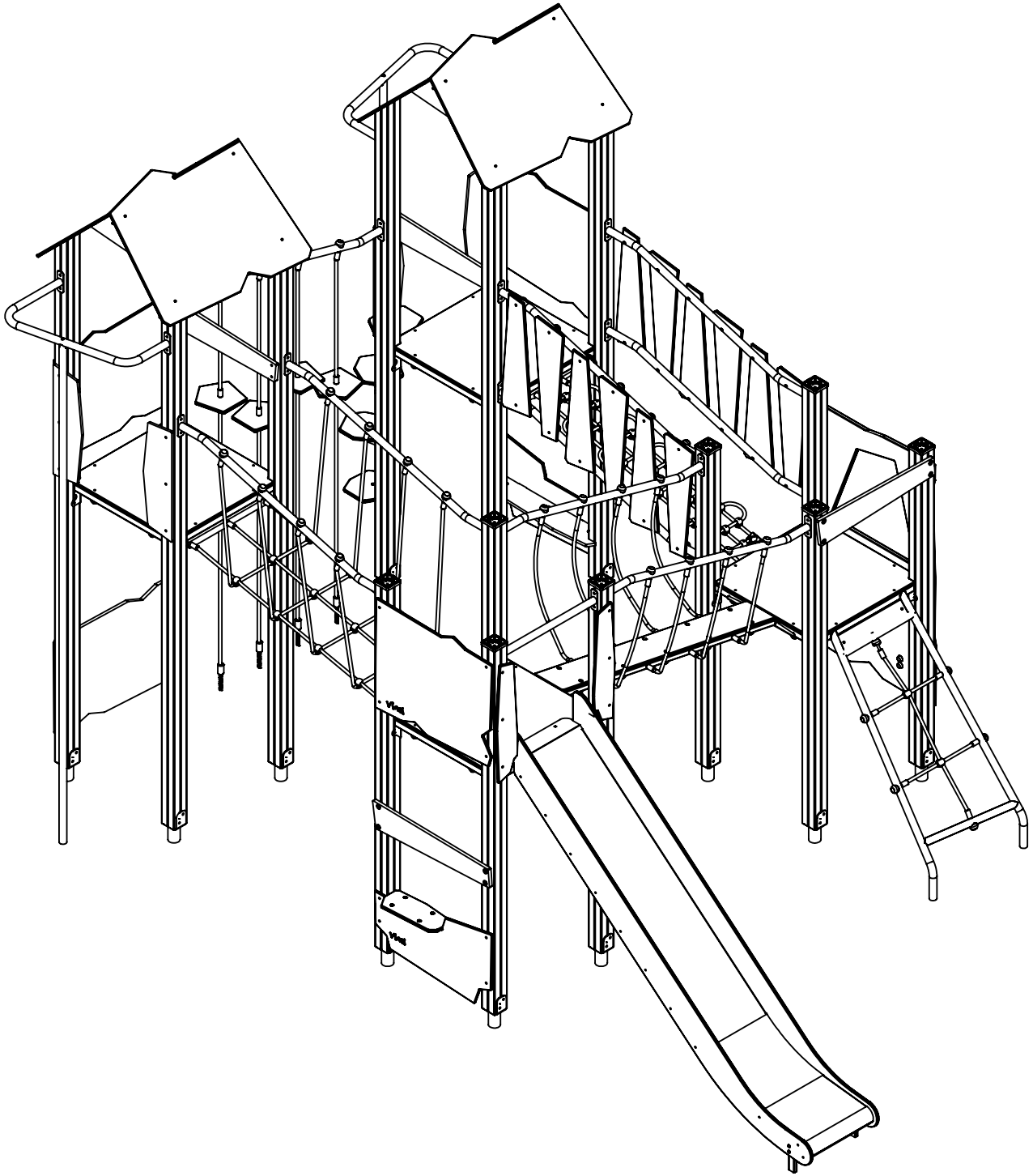


WD 1411



[cm]
v1/22.10.18
I.D.



x2

10,5h

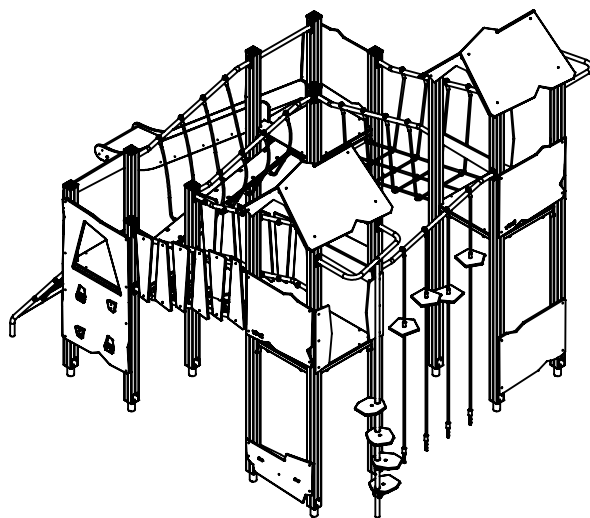
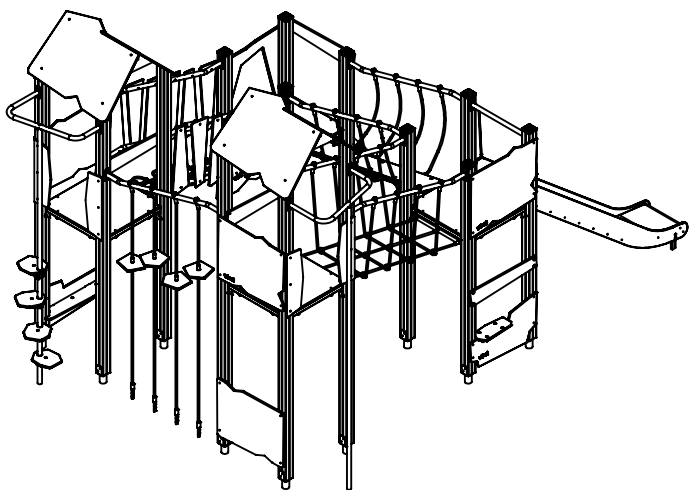
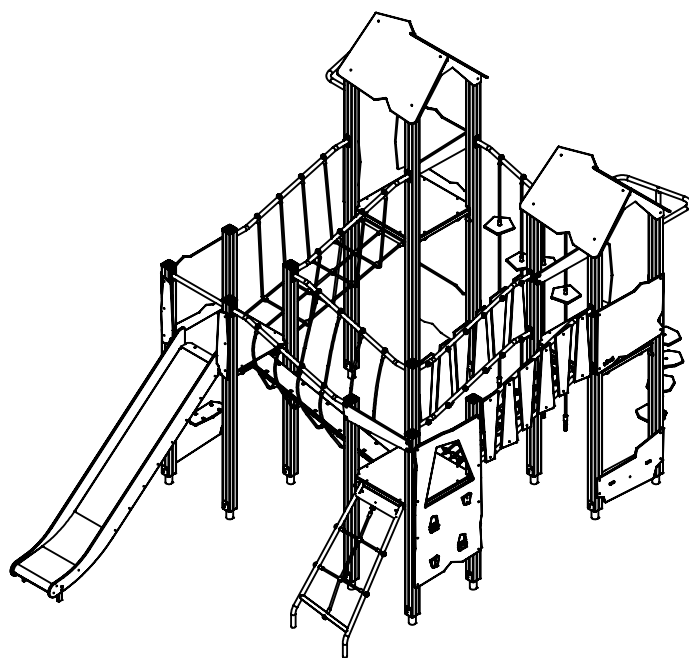
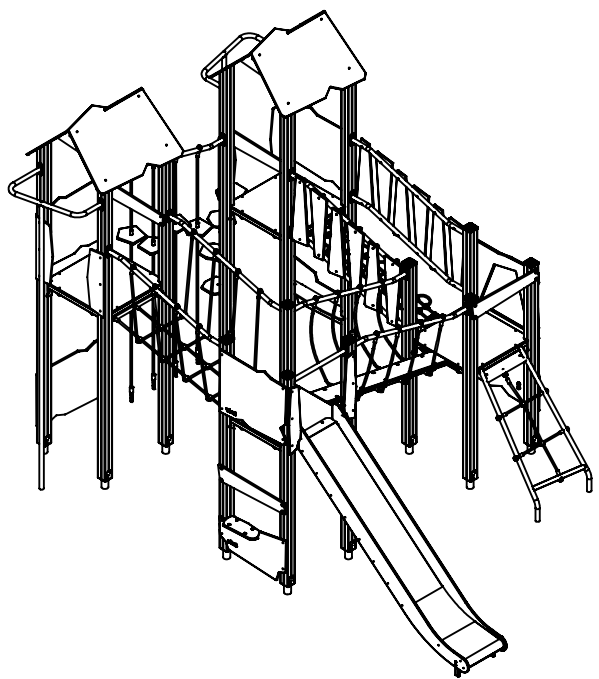


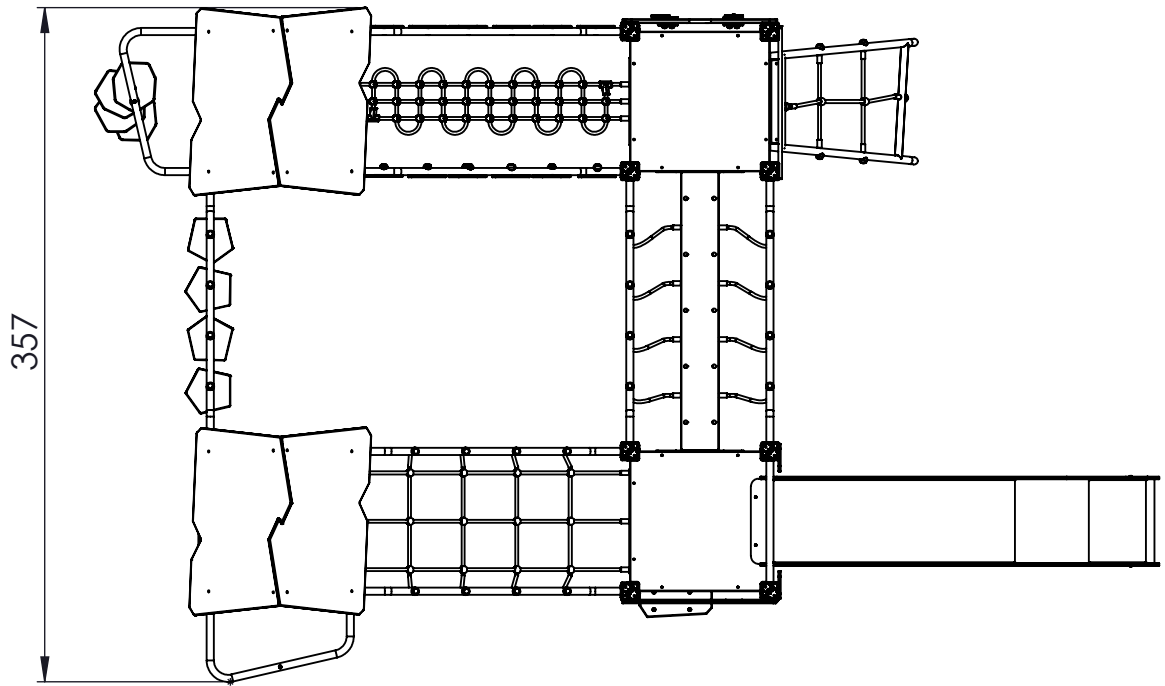
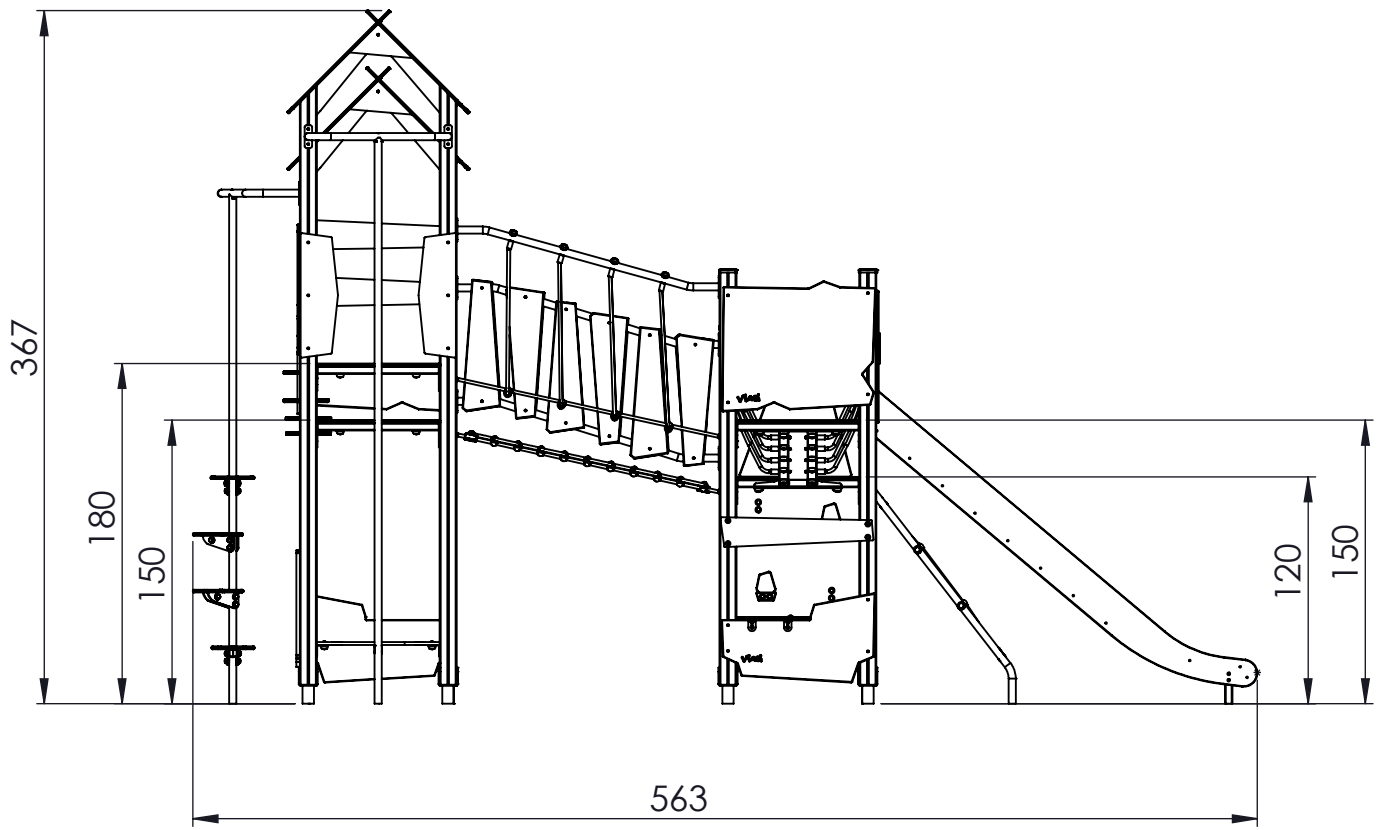
180
HIC

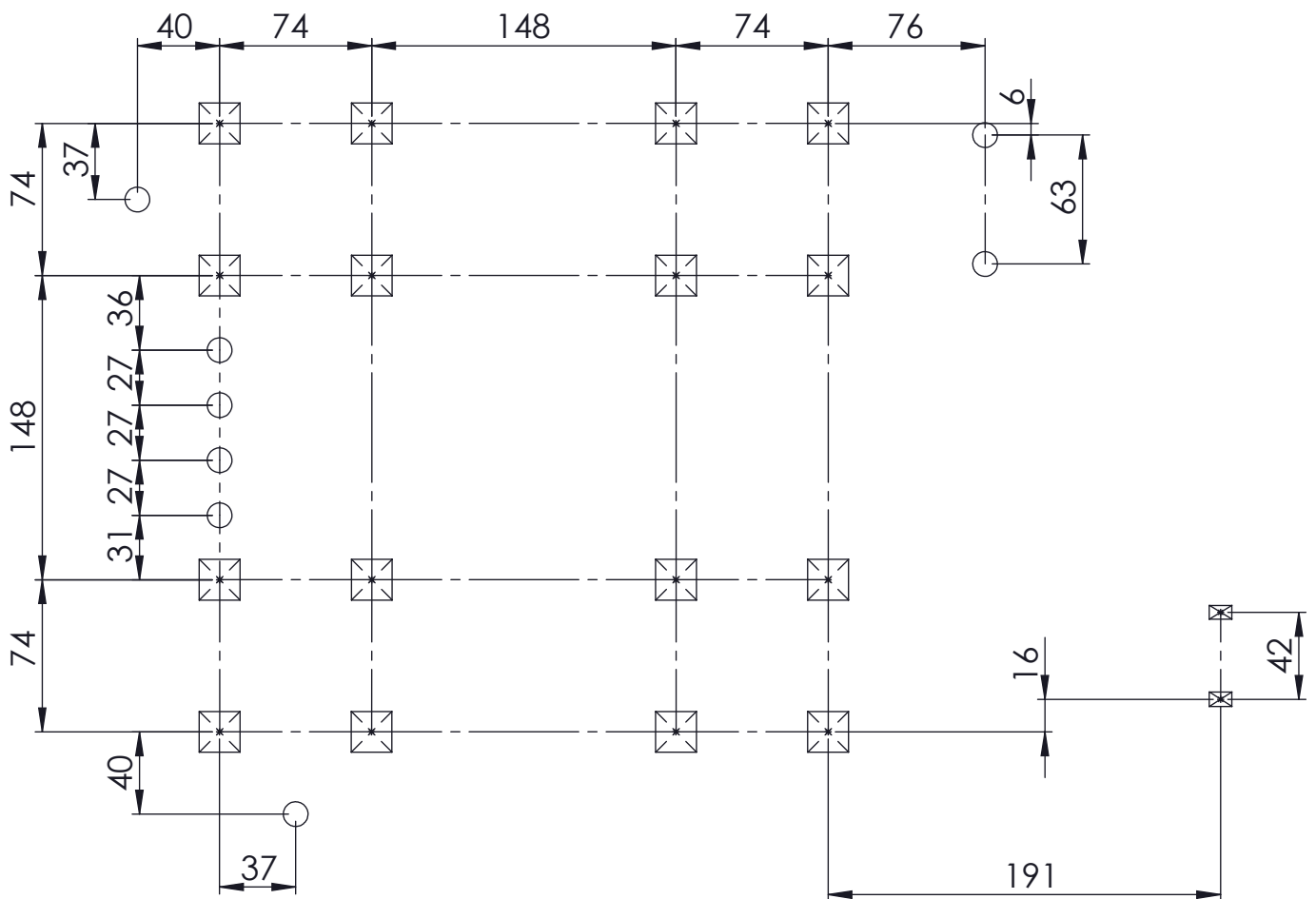
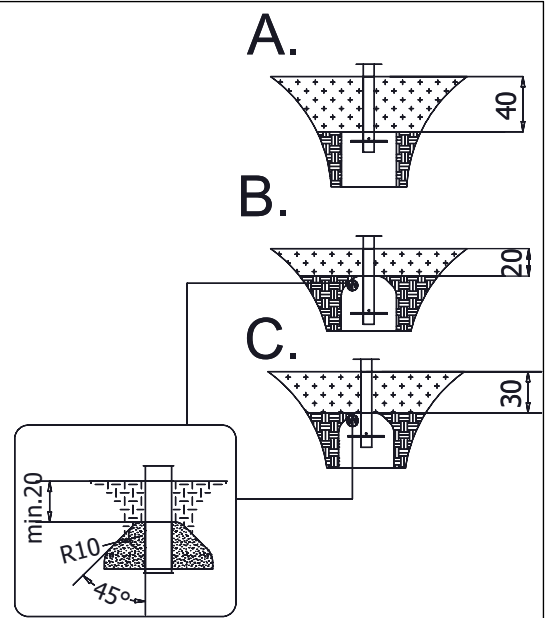
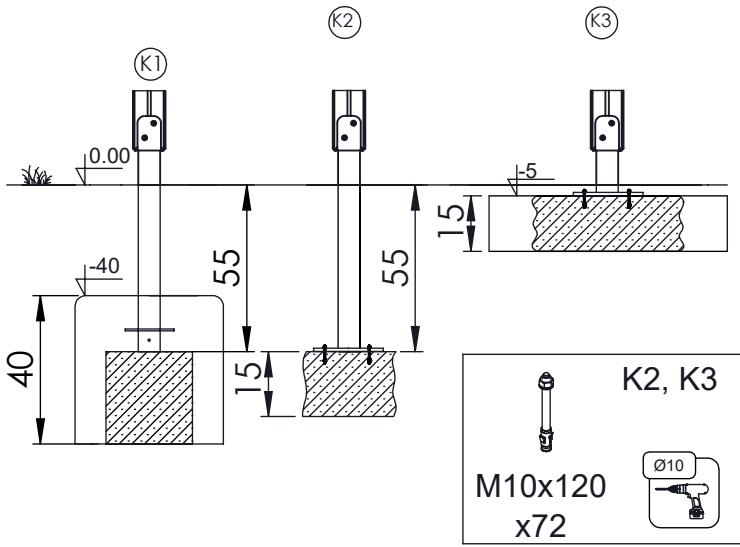
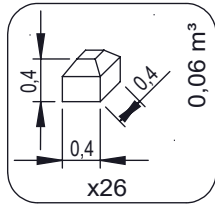
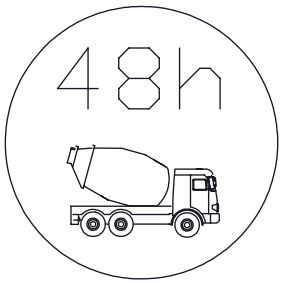


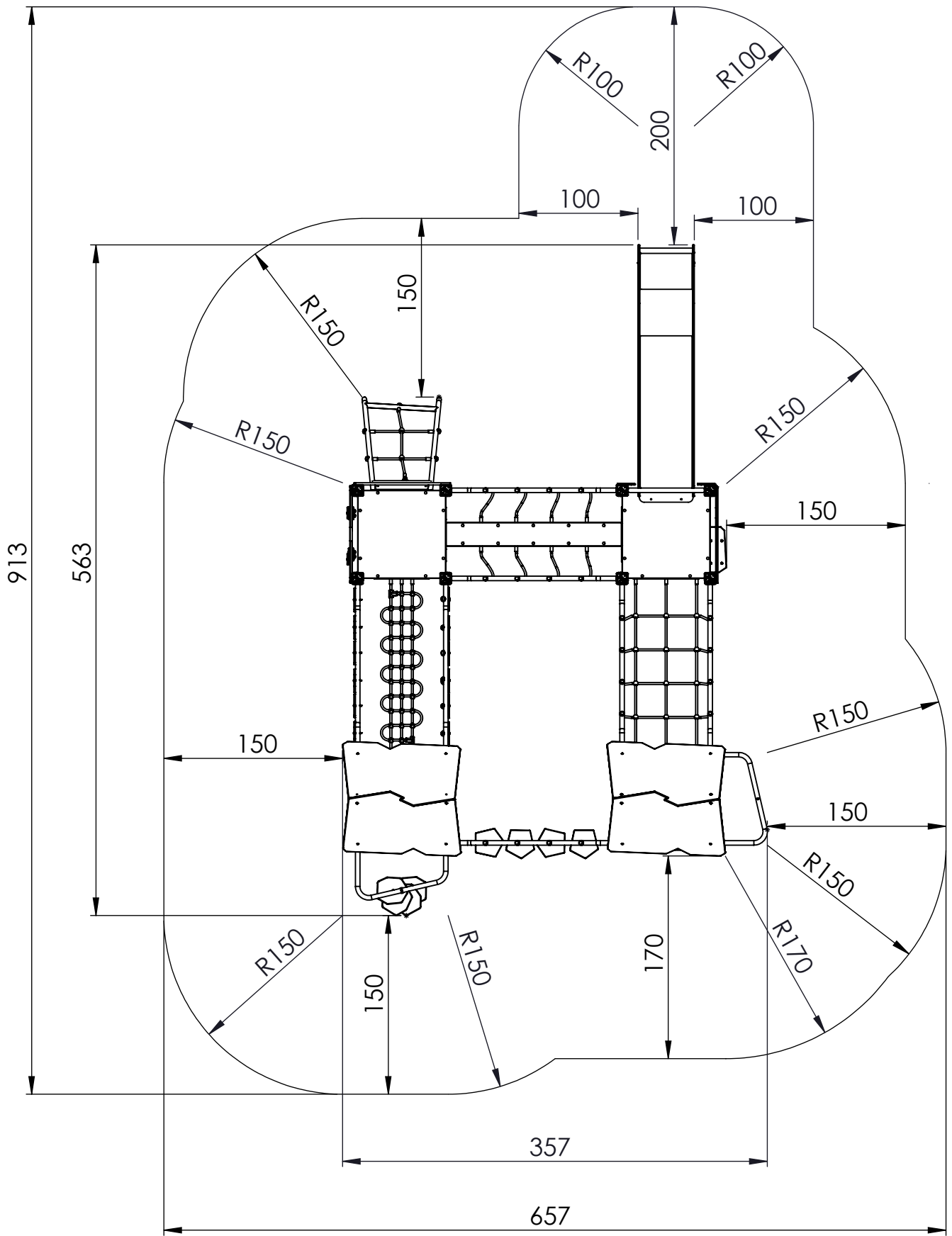
48h

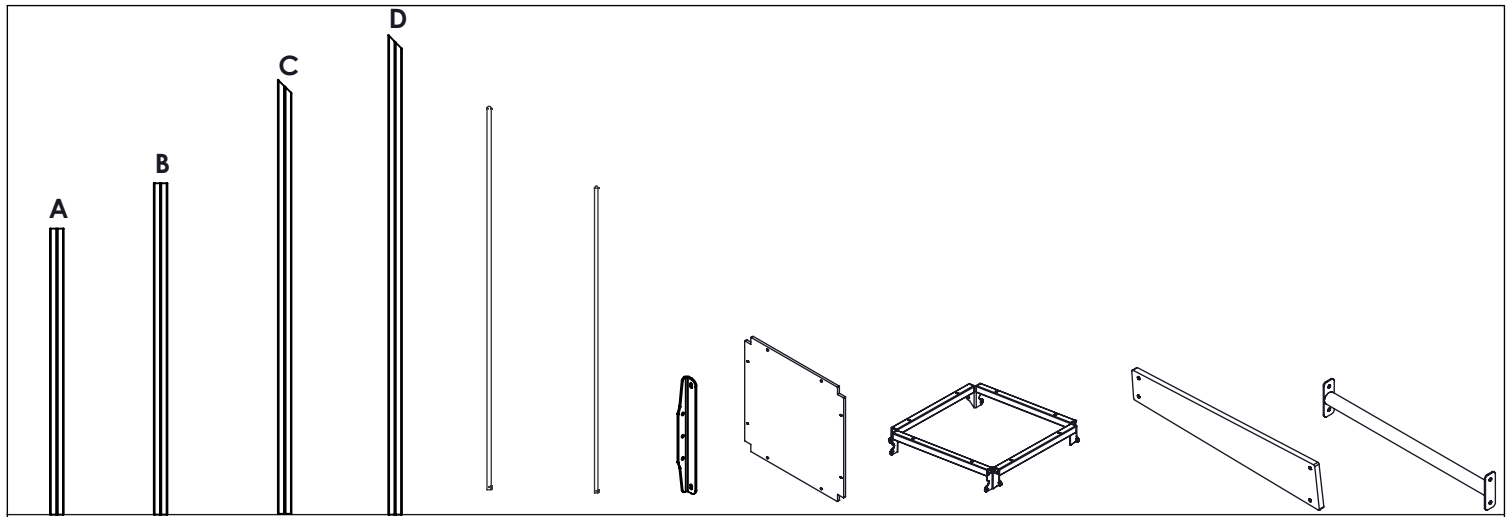
play
vinci



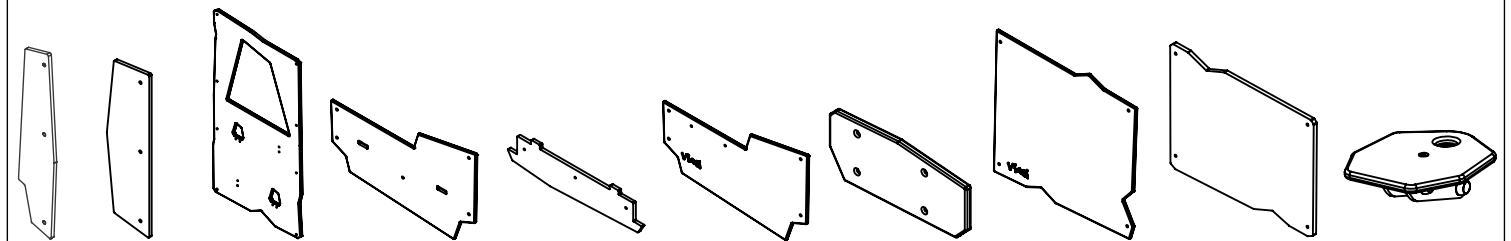




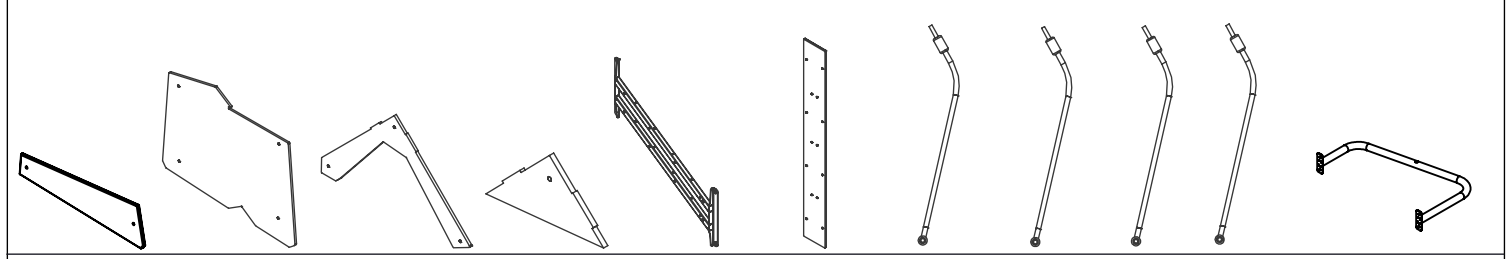




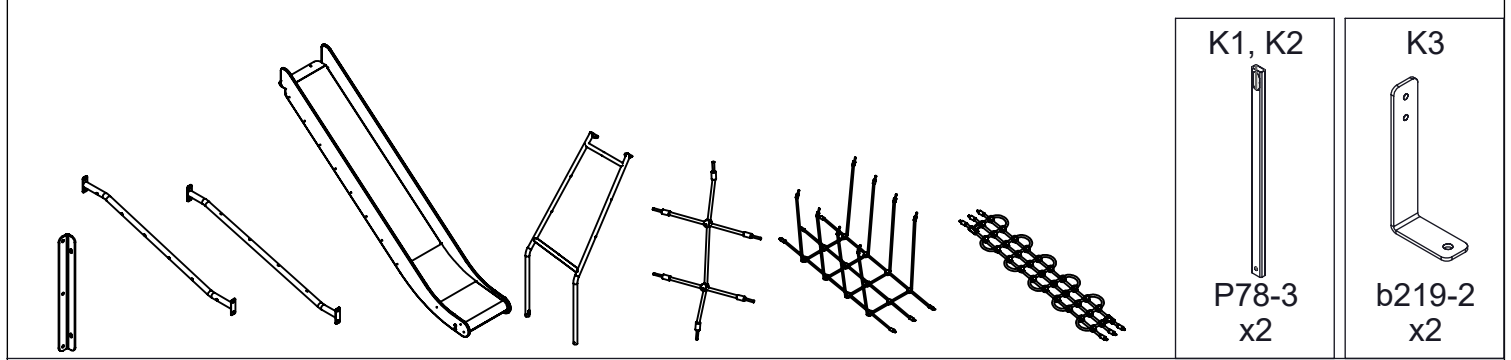
14718990 x4 14721990 x4 14728745 x4 14731745 x4 992128 x1 992126 x1 b146-1 x2 141101 x4 142109 x4 141132 x4 142117 x1



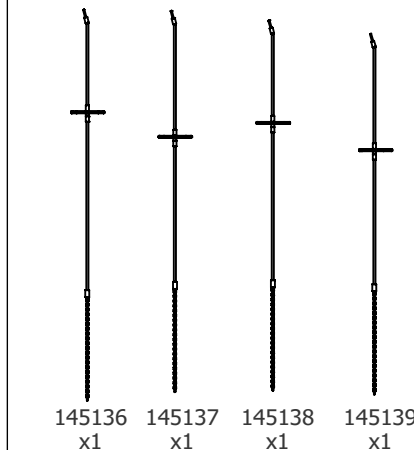
141133 x2 141134 x4 144101 x1 141184 x1 141185 x1 141135 x1 141136 x1 141125 x3 141148 x1 994118 x4



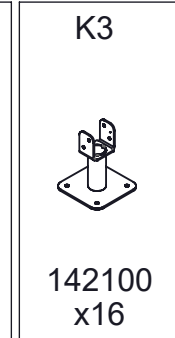
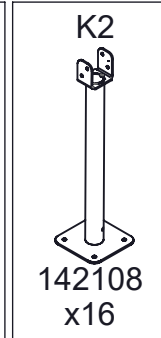
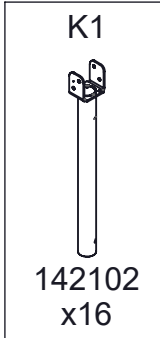
141142 x12 141120 x4 141123 x2 141122 x2 142120 x1 141107 x1 145130 x2 145131 x2 145132 x2 145133 x2 142131 x2



B144 x2 142142 x4 142138 x5 994105 x1 142104 x1 145129 x1 145141 x1 144110 x1

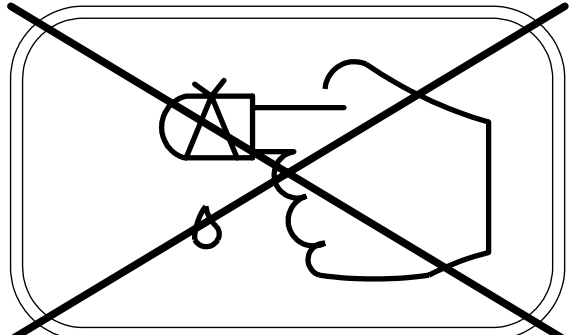
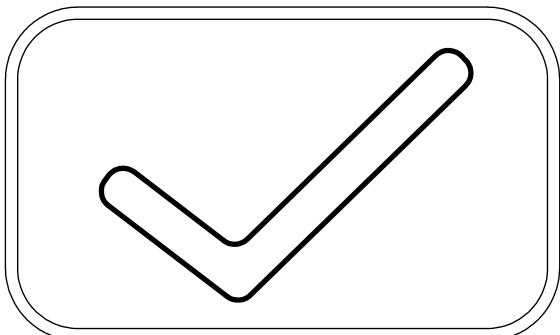
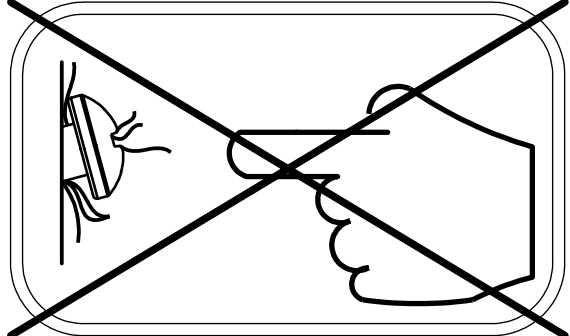
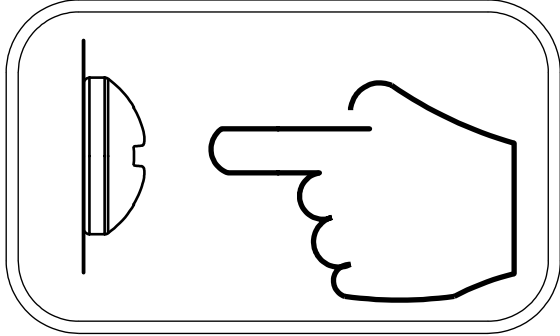
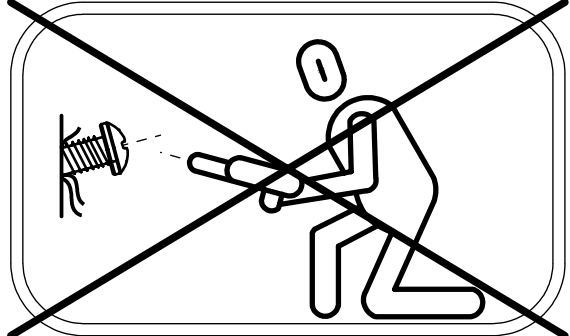
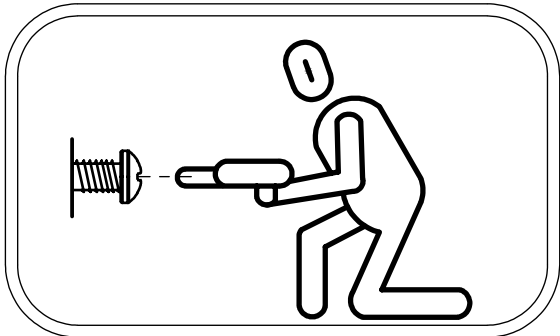


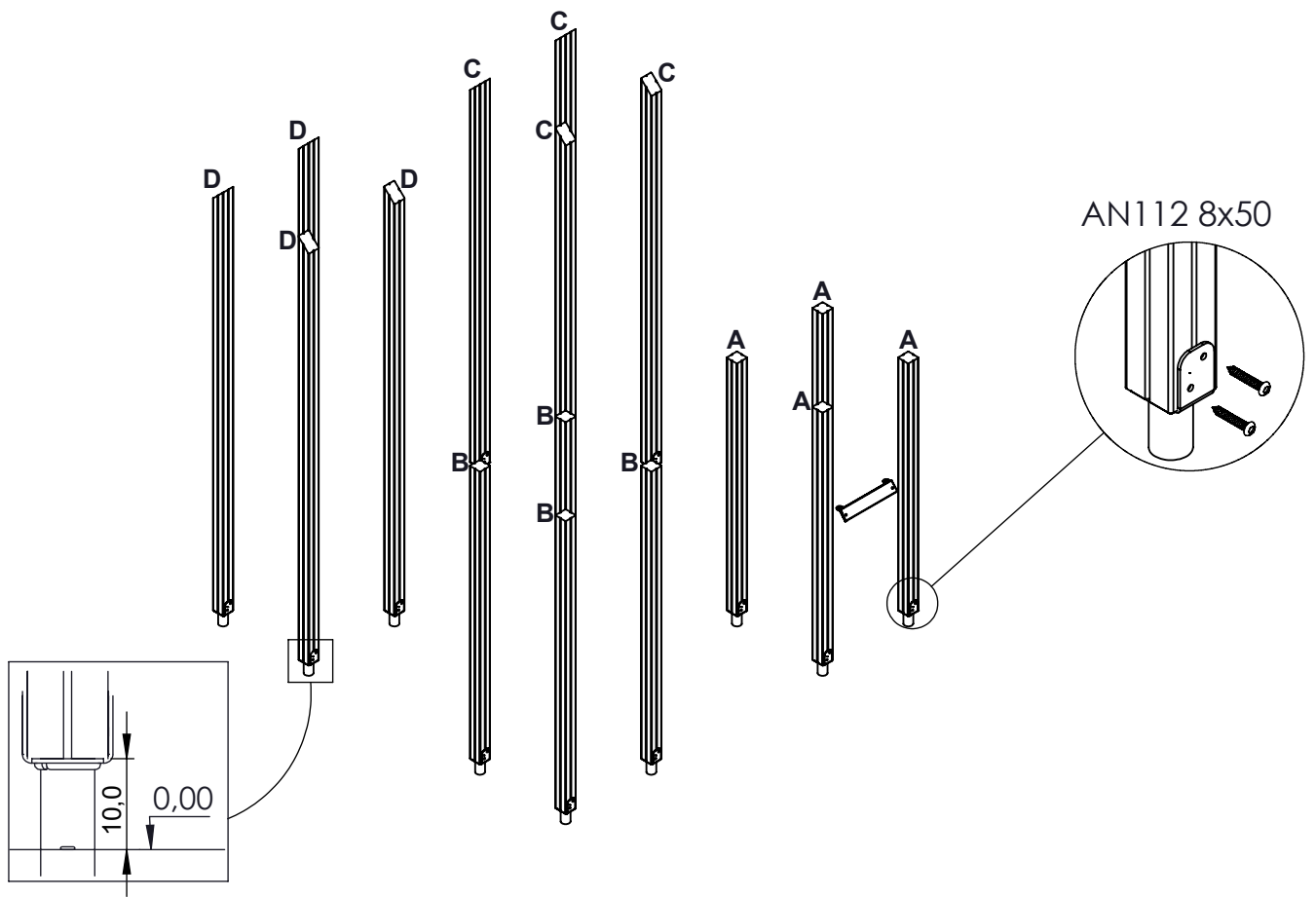
145136 x1 145137 x1 145138 x1 145139 x1



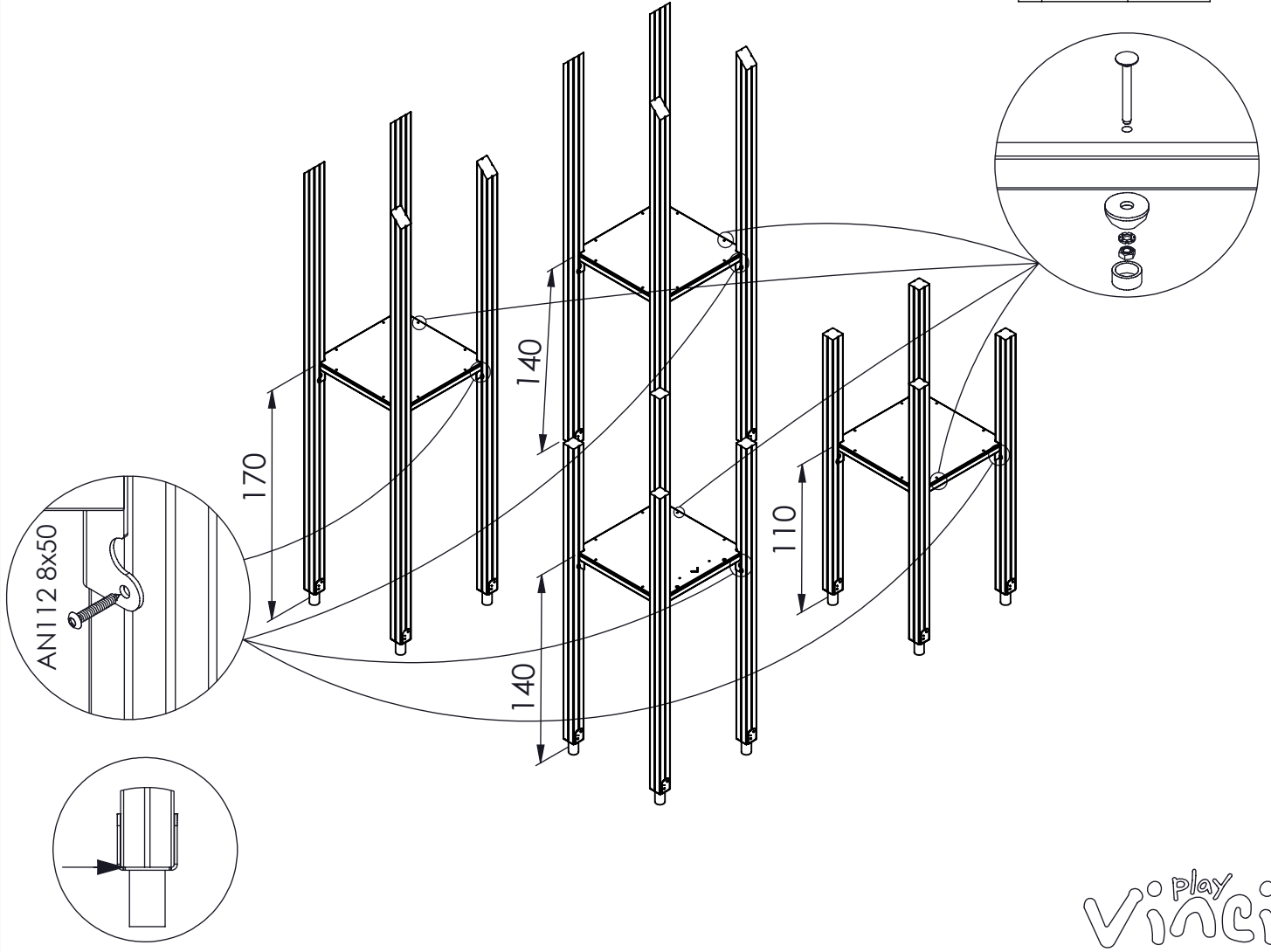
222 x AN112 8x50
8 x WD1
5 x WD14-4
2 x E39
2 x E38 (K2, K3)
1 x E34
1 x E35 (K2)
1 x E88 (K2)
4 x WD67
4 x WD68
3 x WD2
2 x WD14-3
4 x WD52
2 x WD66

PLATFORMS	
PLYWOOD	HPL
1 x WD28	1 x WD29
5 x WD63	5 x WD64
1 x WD42	1 x WD43
1 x WD40	1 x WD41
4 x WD15	4 x WD16
1 x WD8	1 x WD9
2 x WD33	2 x WD34
2 x WD76	2 x WD77

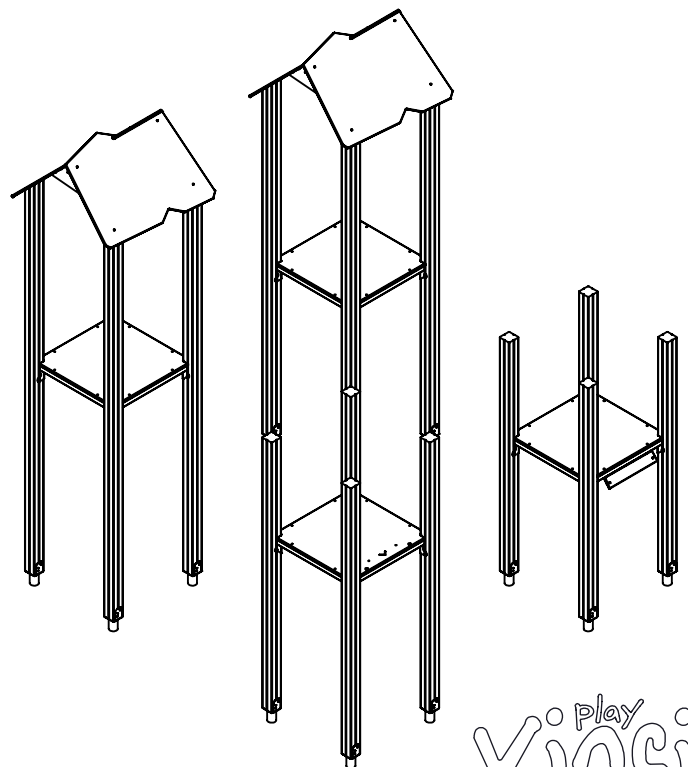
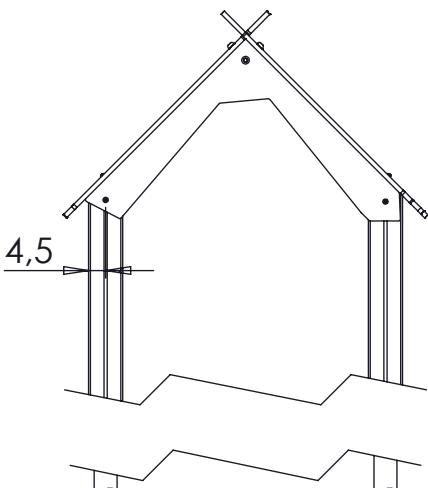
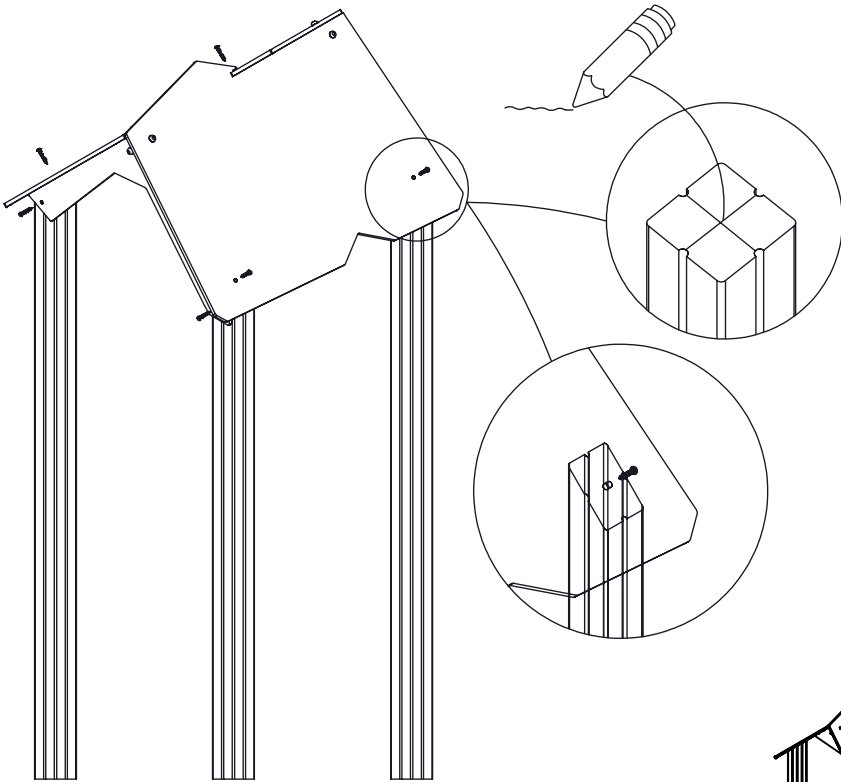
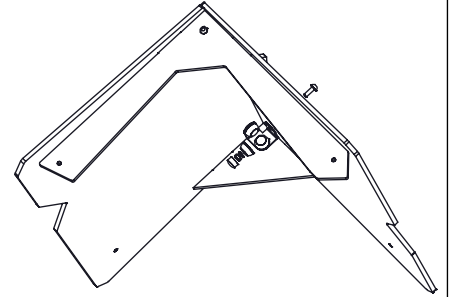
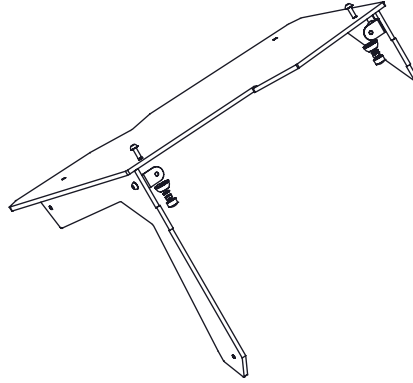
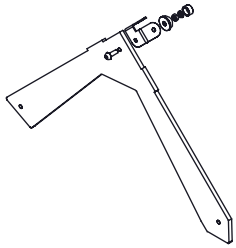
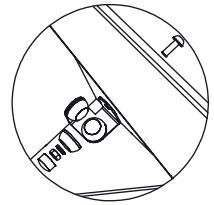
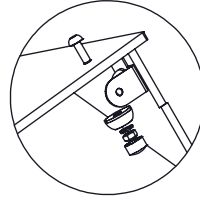
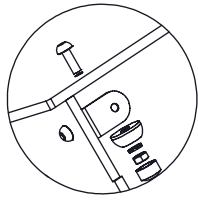
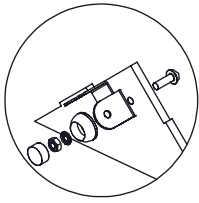
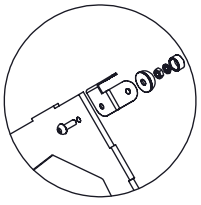




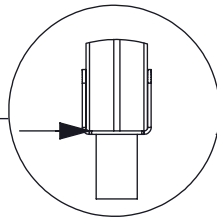
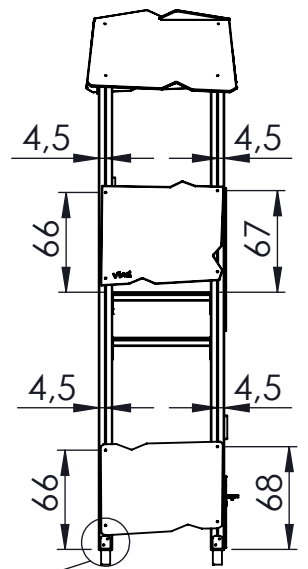
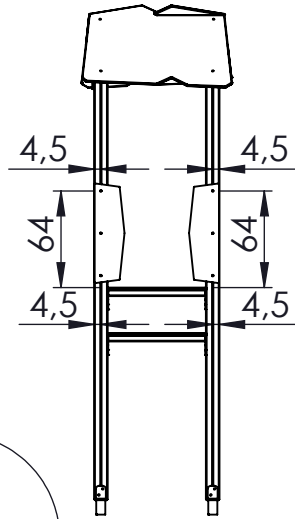
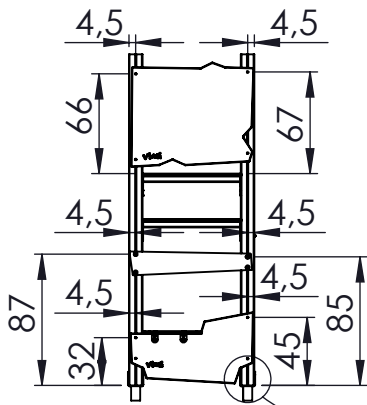
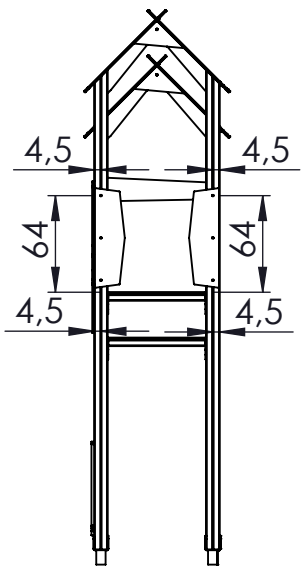
-	PLYWOOD	HPL
2X	WD76	WD77



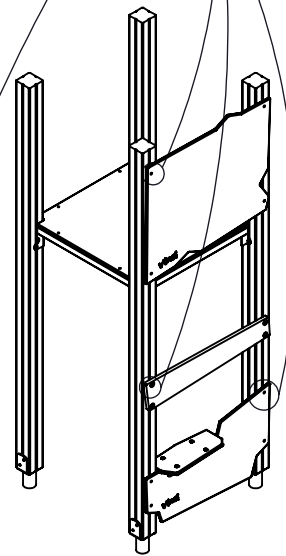
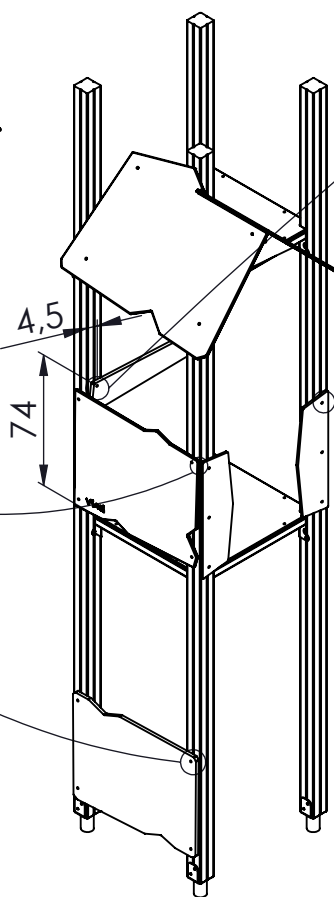
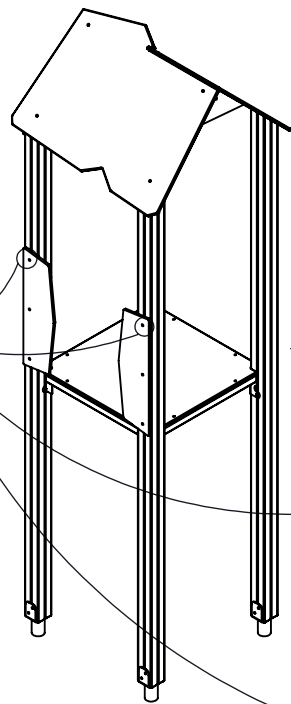
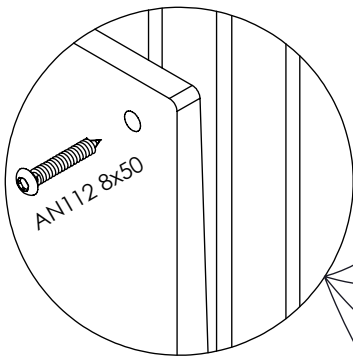
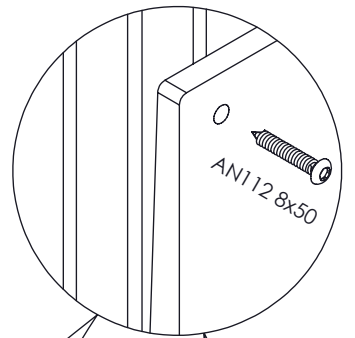
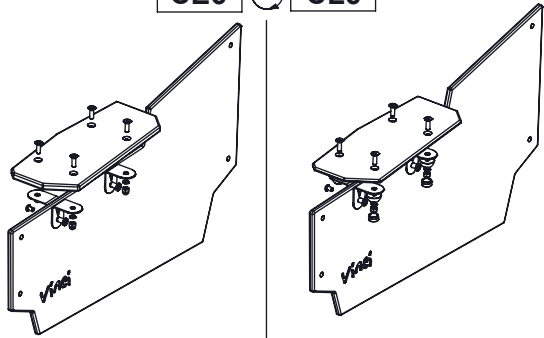
-	HDPE	HPL
2x	WD33	WD34



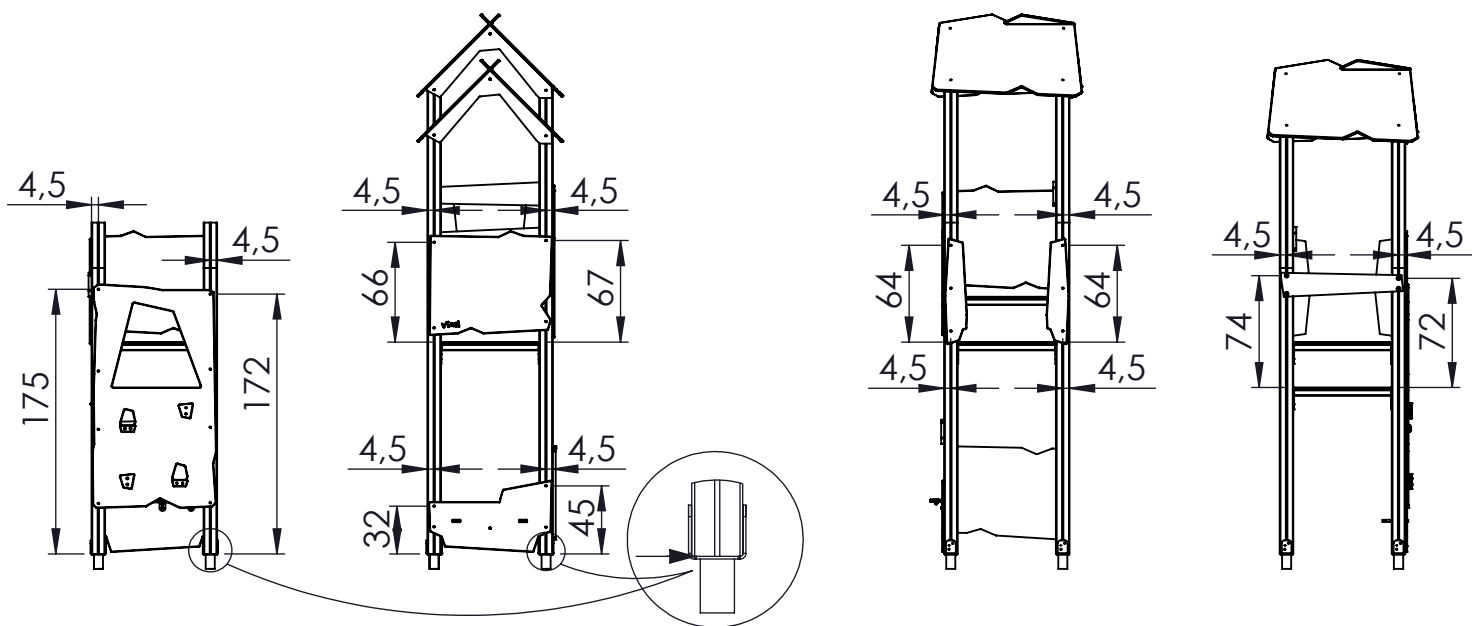
play
vinci



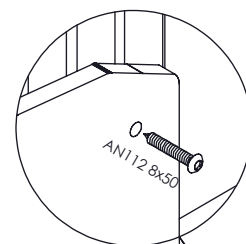
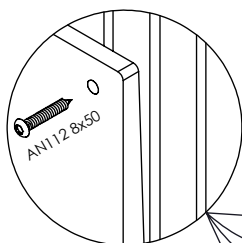
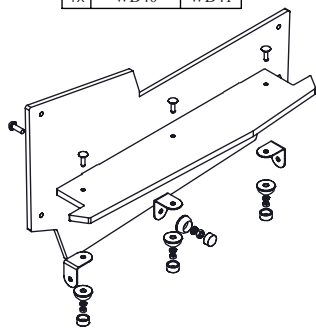
CE6 CL6



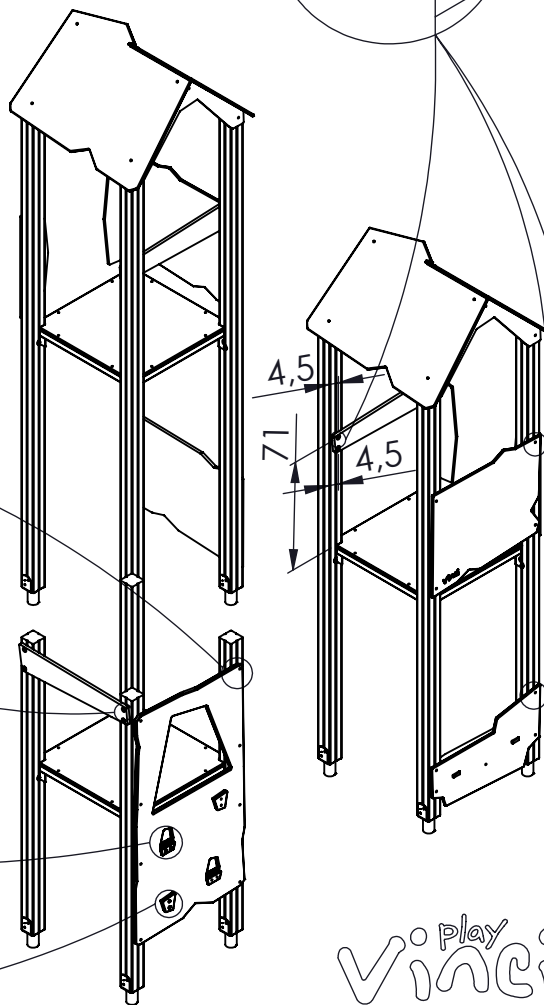
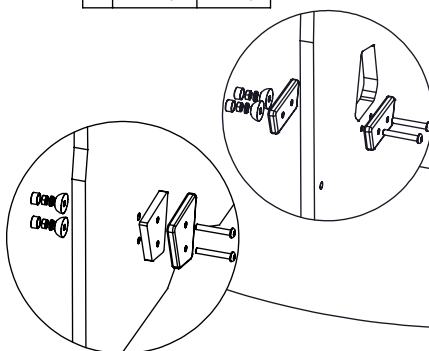
play
viaci



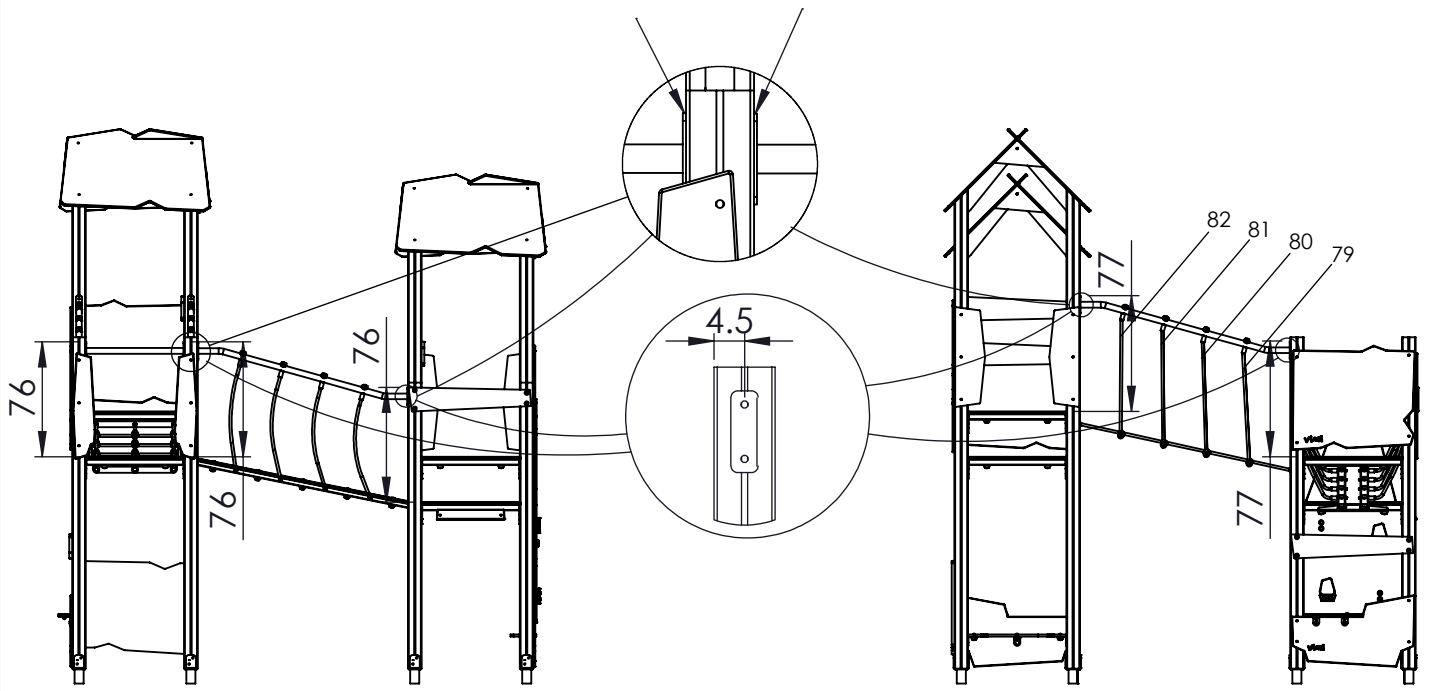
-	PLYWOOD	HPL
1x	WD40	WD41



-	PLYWOOD	HPL
4x	WD15	WD16

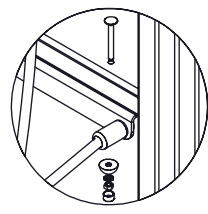


play
viaci

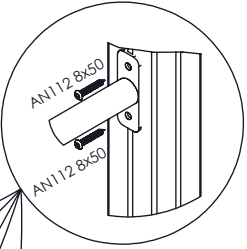
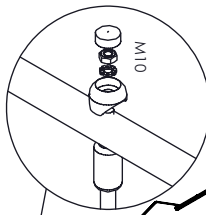
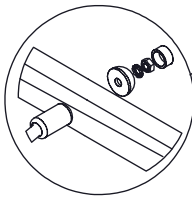


4x WD14-4

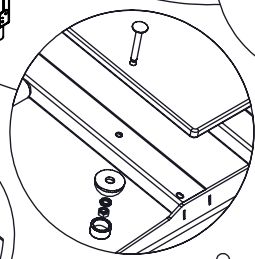
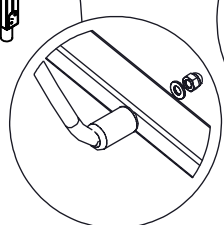
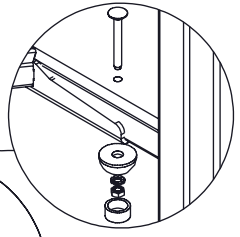
2x WD63 WD64



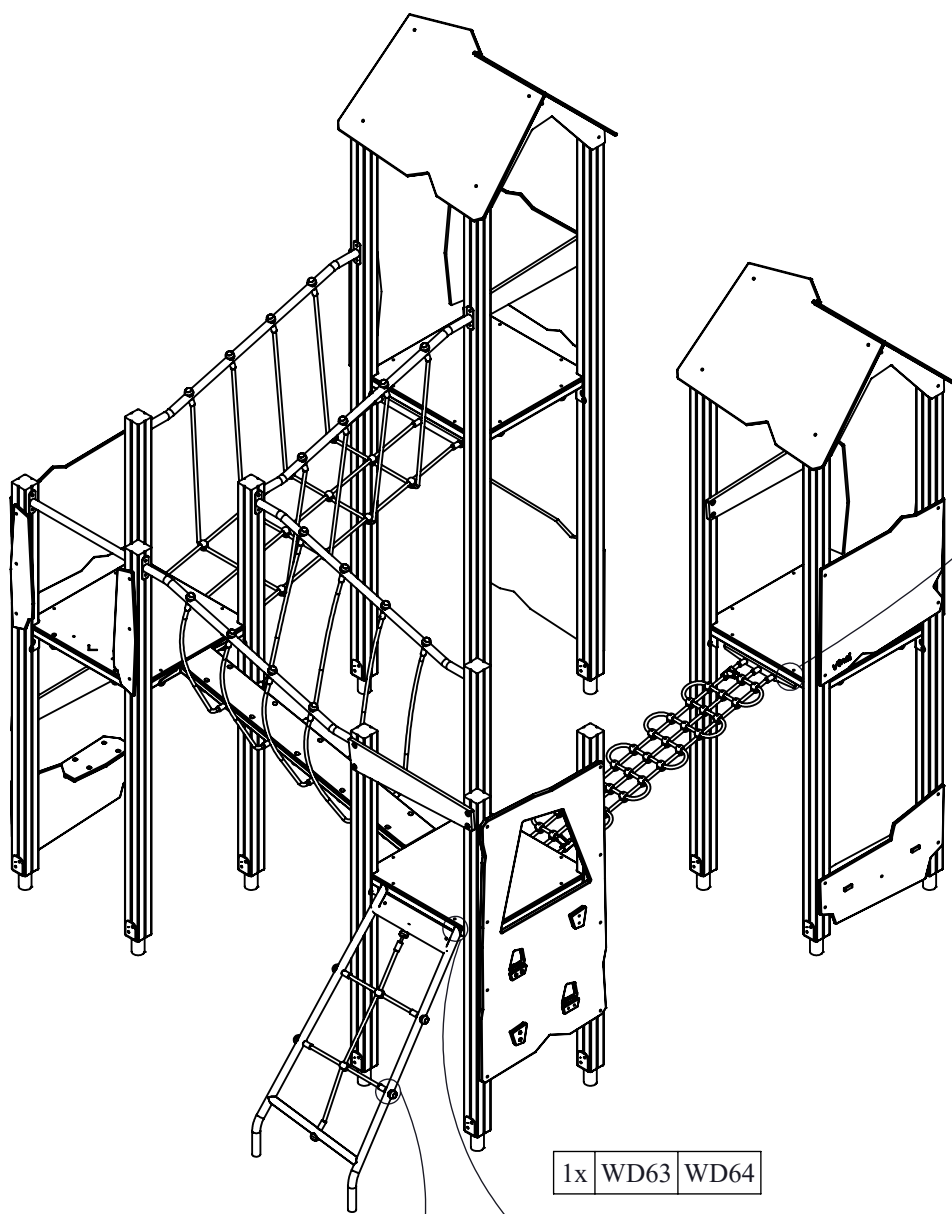
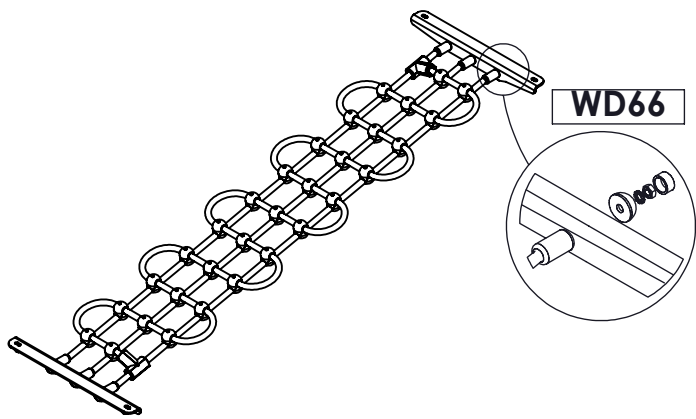
1xWD66



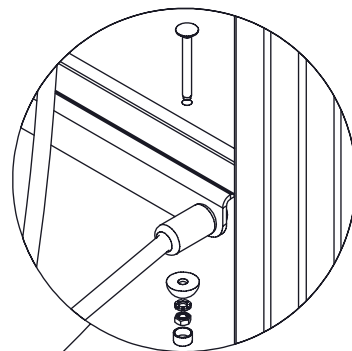
-	PLYWOOD	HPL
1x	WD42	WD43



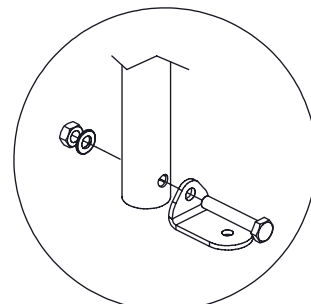
play
vinci



2x WD63 WD64

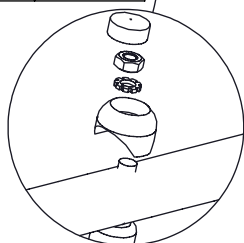


142104 K2

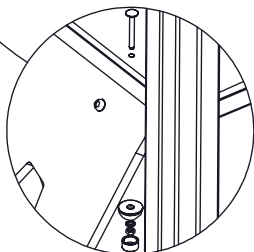


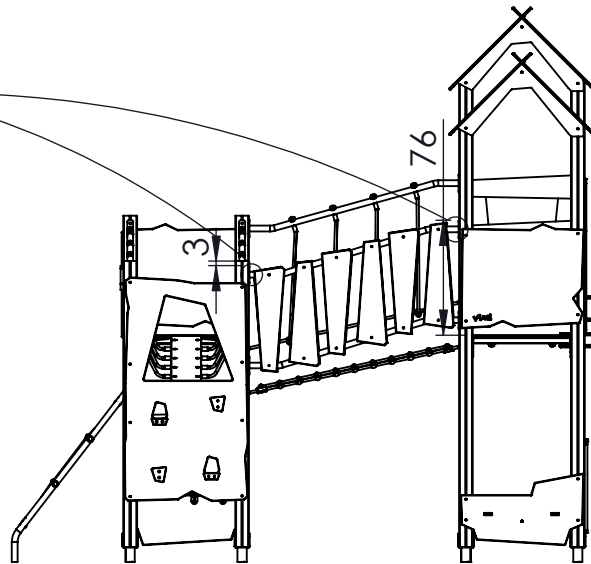
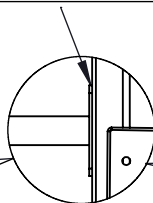
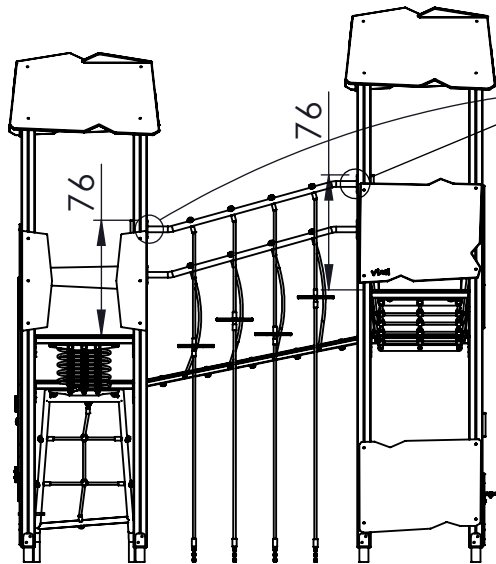
E88

2x WD14-3

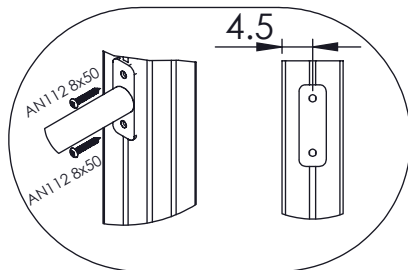
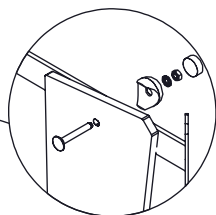
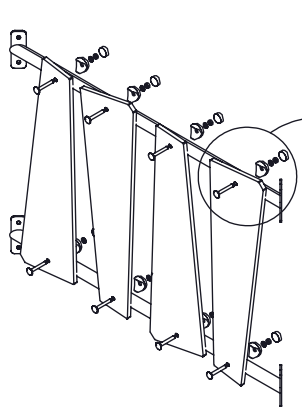


1x WD63 WD64

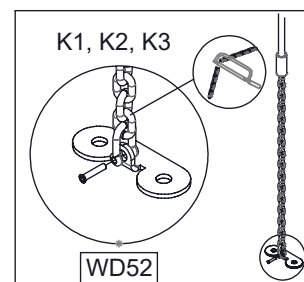
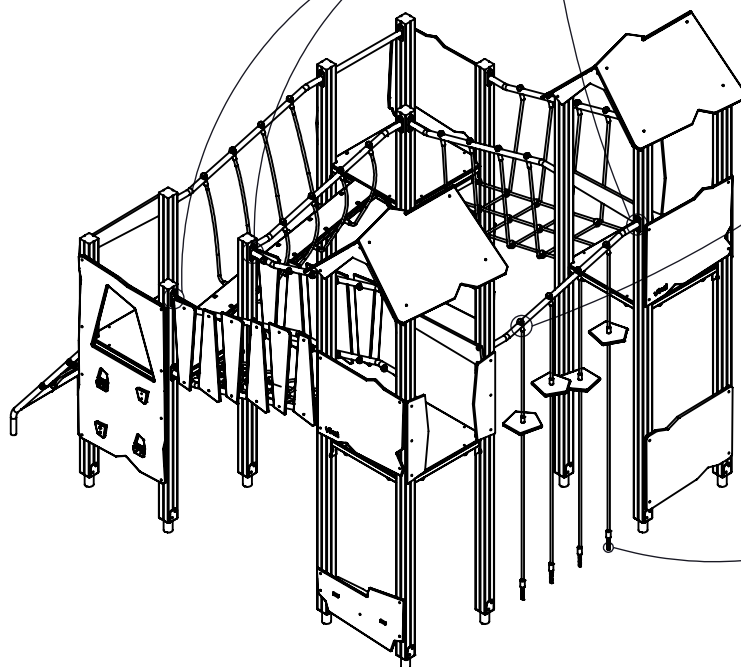
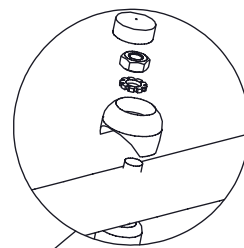




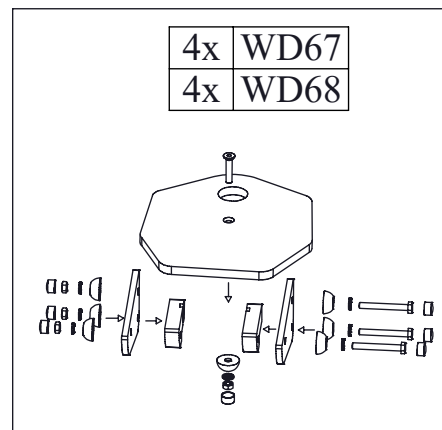
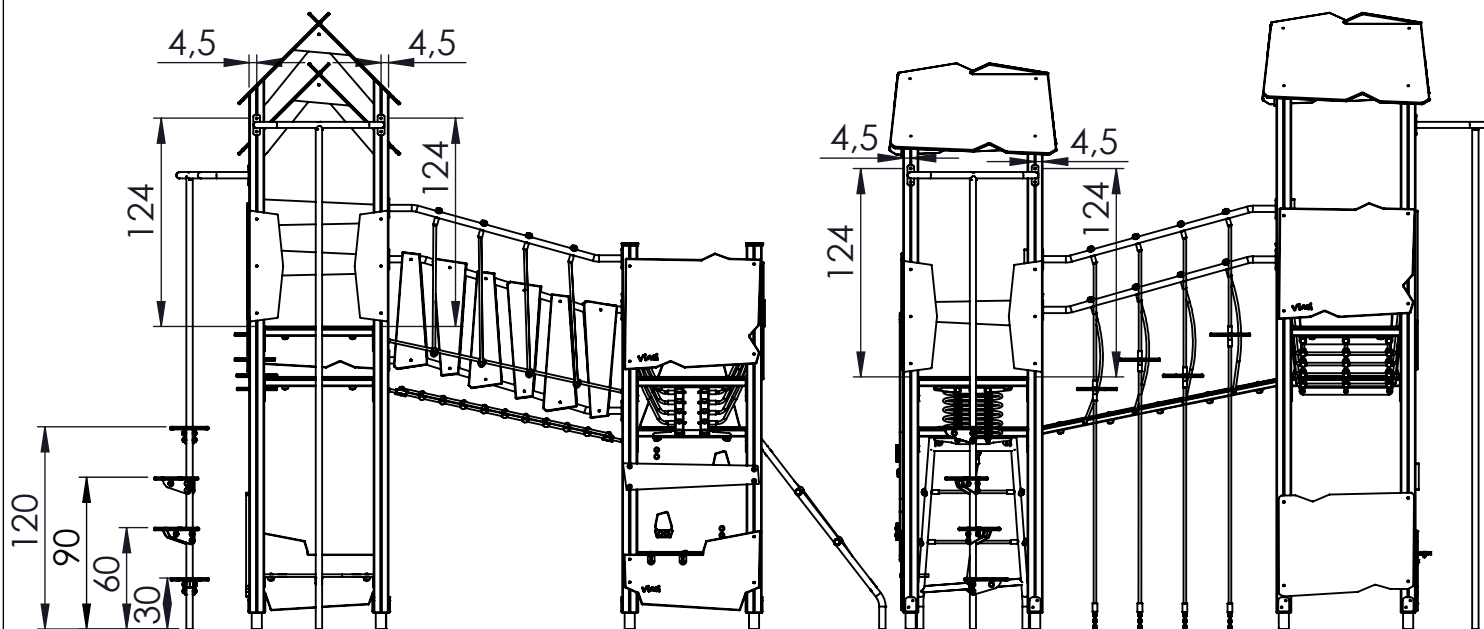
3xWD2



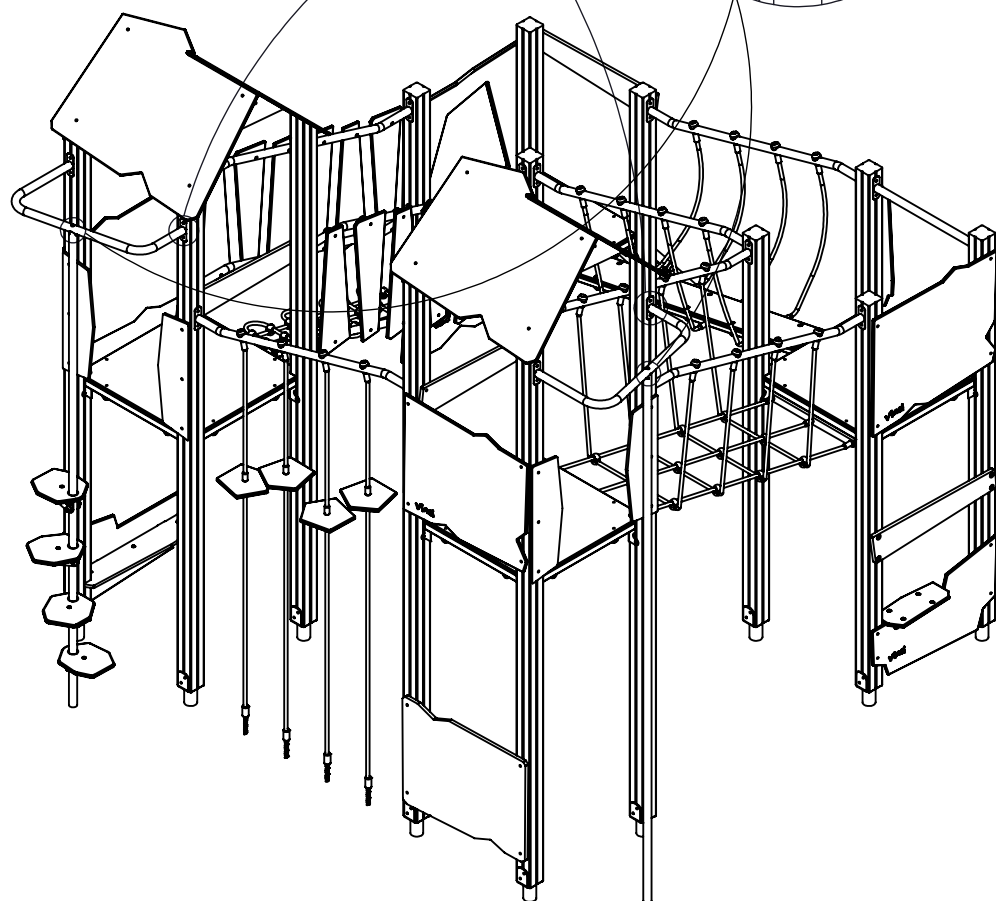
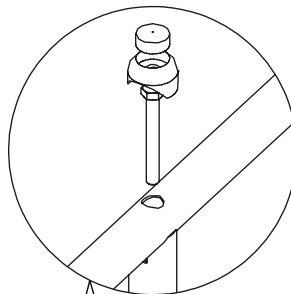
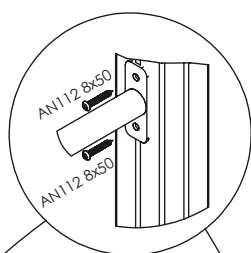
1xWD14-4



play
vinici

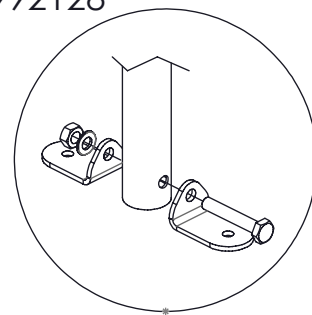


2x E39



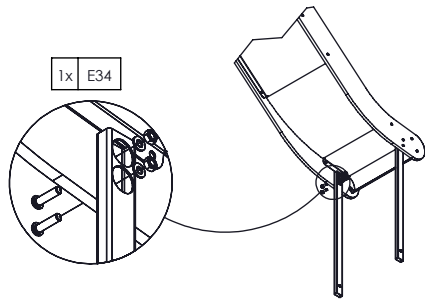
992126
992128

K2, K3

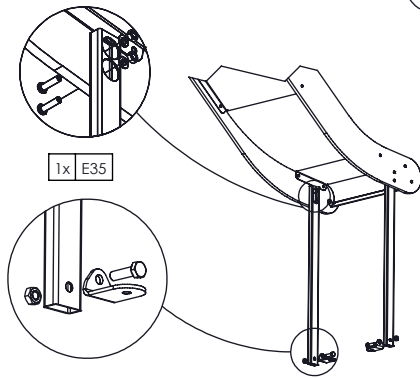


E38

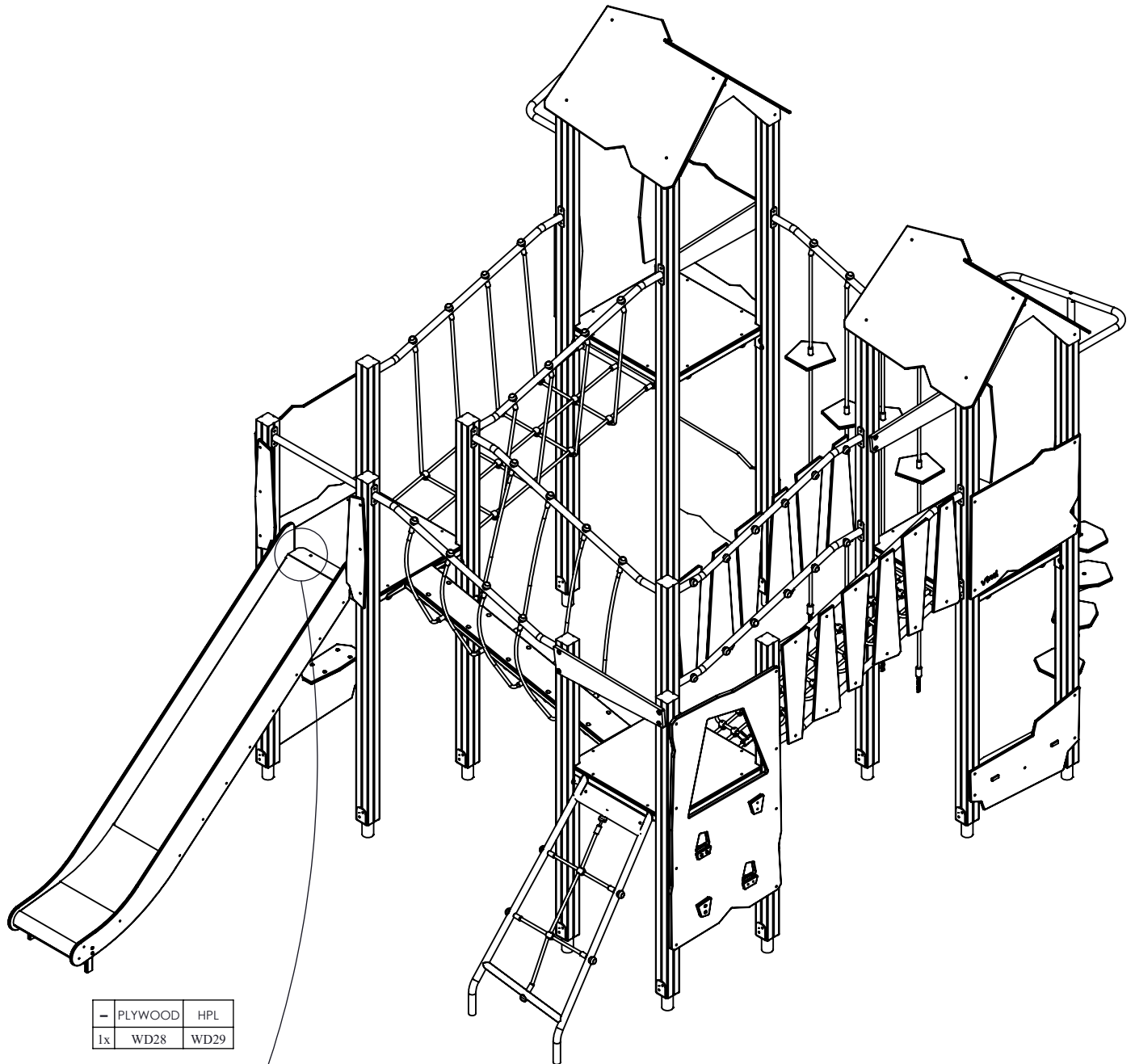
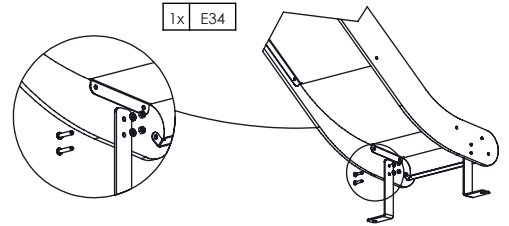
(K1)



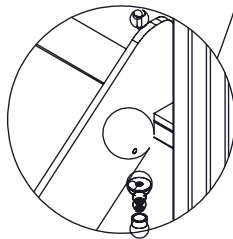
(K2)



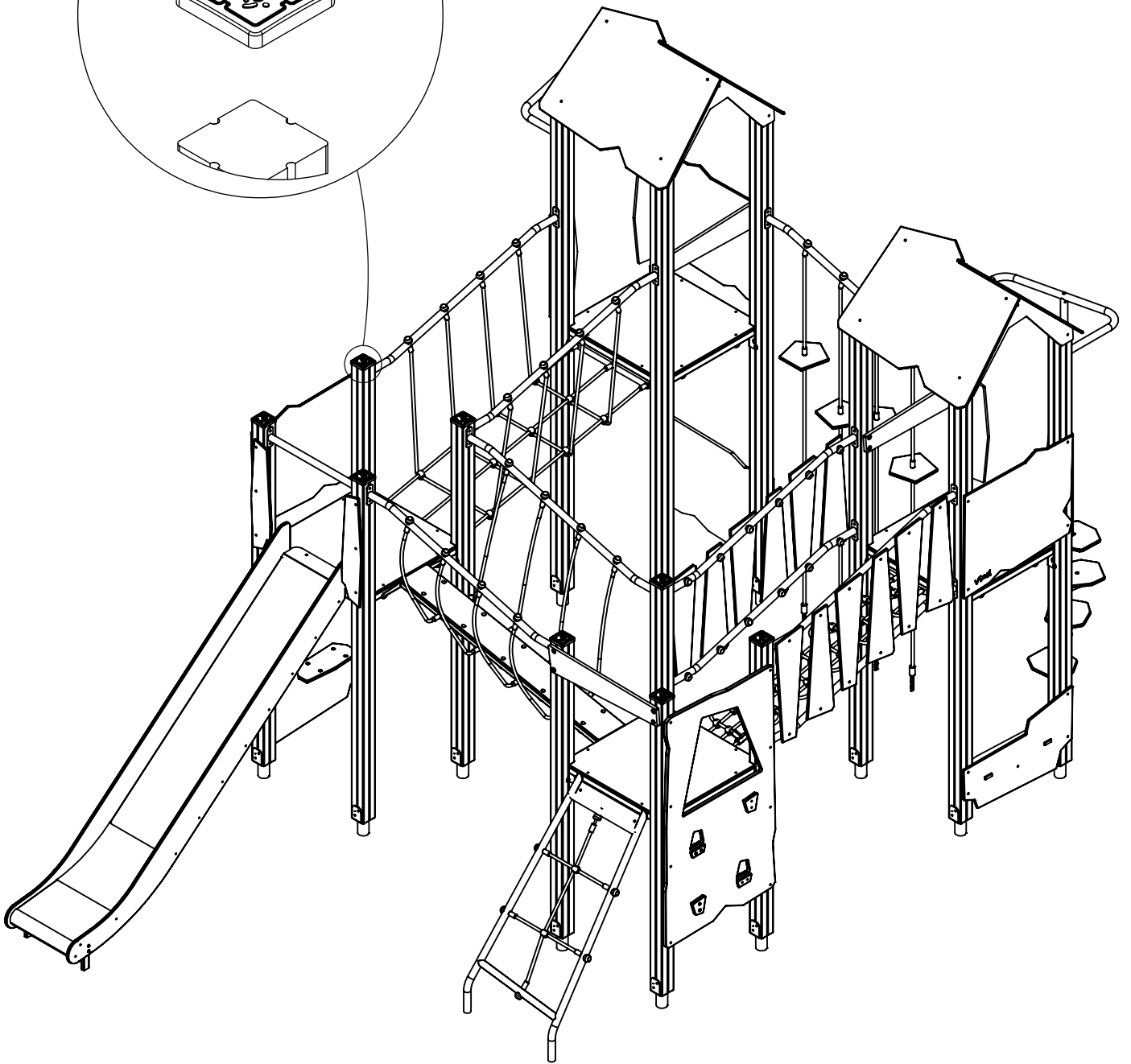
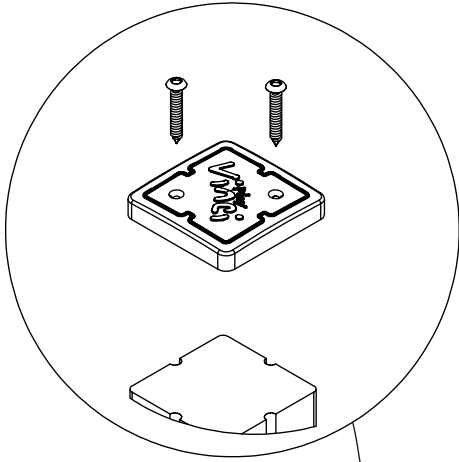
(K3)

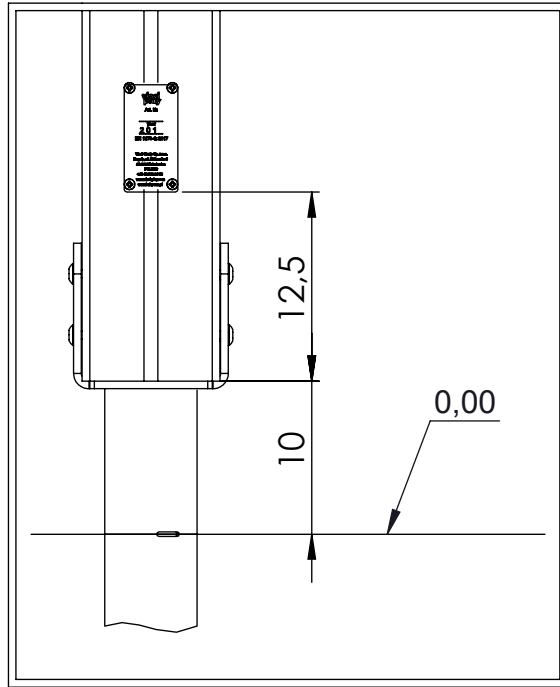


-	PLYWOOD	HPL
1x	WD28	WD29



8xWD1





V001



vinci play