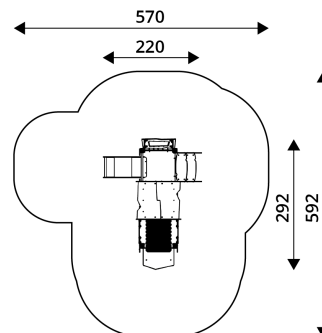


Declaration of Conformity



1. Declaration No: 2020/WD1551
2. Issued by: BabyCam Paweł Chodkowski
Reguły, ul. Królewska 5
05-816 Michałowice
3. Declaration for: WOODEN WD1551 - Device produced for public playgrounds
4. Reference document: EN 1176-1:2017

I declare with full responsibility that the product described in section 3 is consistent with the reference documents in section 4 and technical documentation.

Reguły, 07.05.2020

BabyCam

Paweł Chodkowski

Reguły, ul. Królewska 5, 05-816 Michałowice
NIP: 534-232-85-74 REGON: 140561514

Właściciel

Paweł Chodkowski