

L= 1300

L= 1450

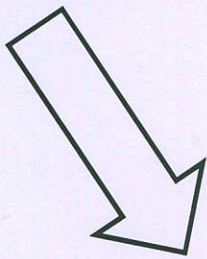
L= 1600

1

M8

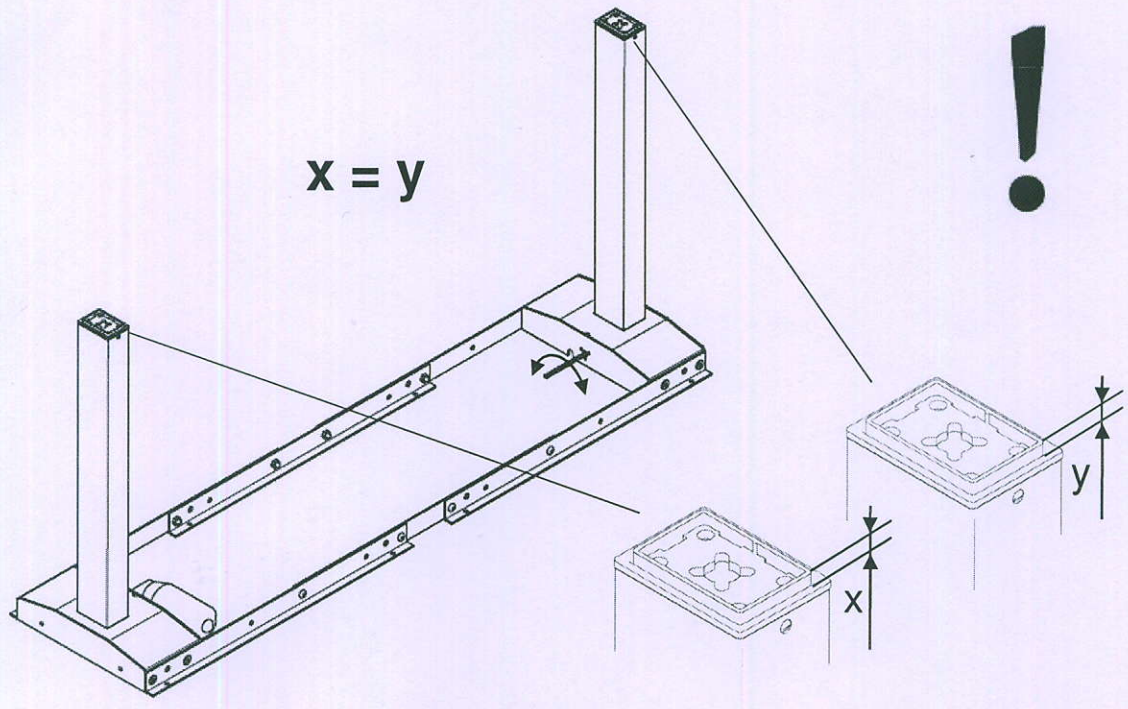
M8x16

M8x16

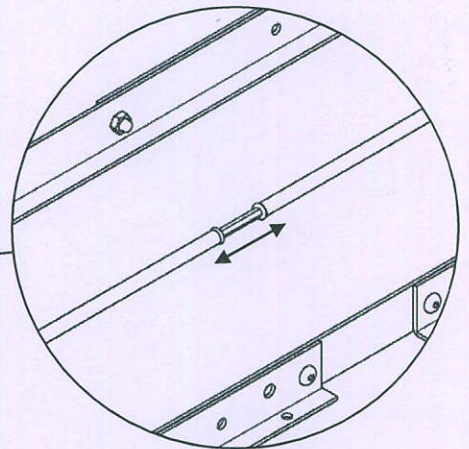
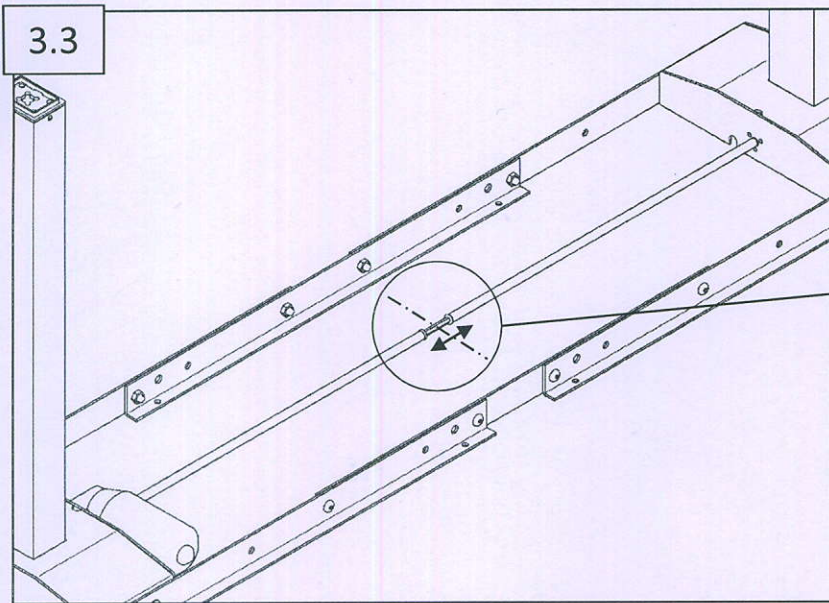
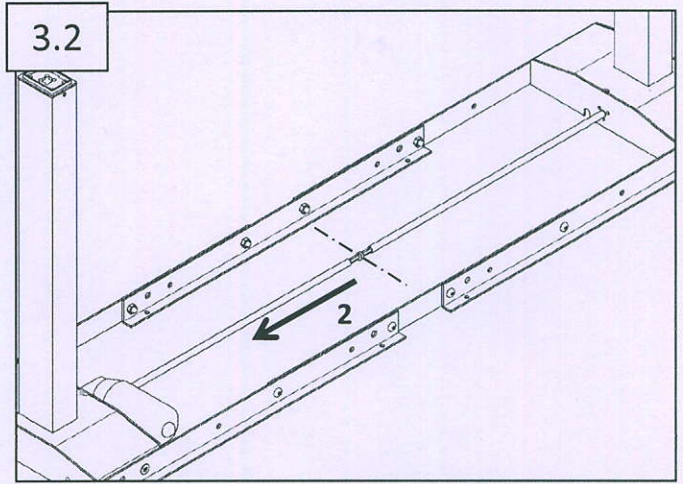
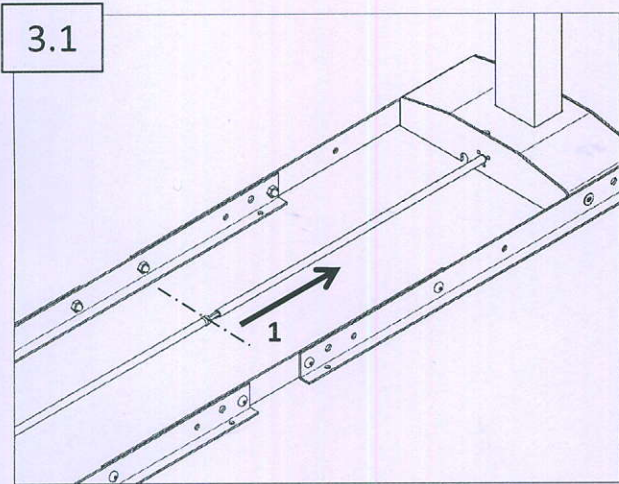
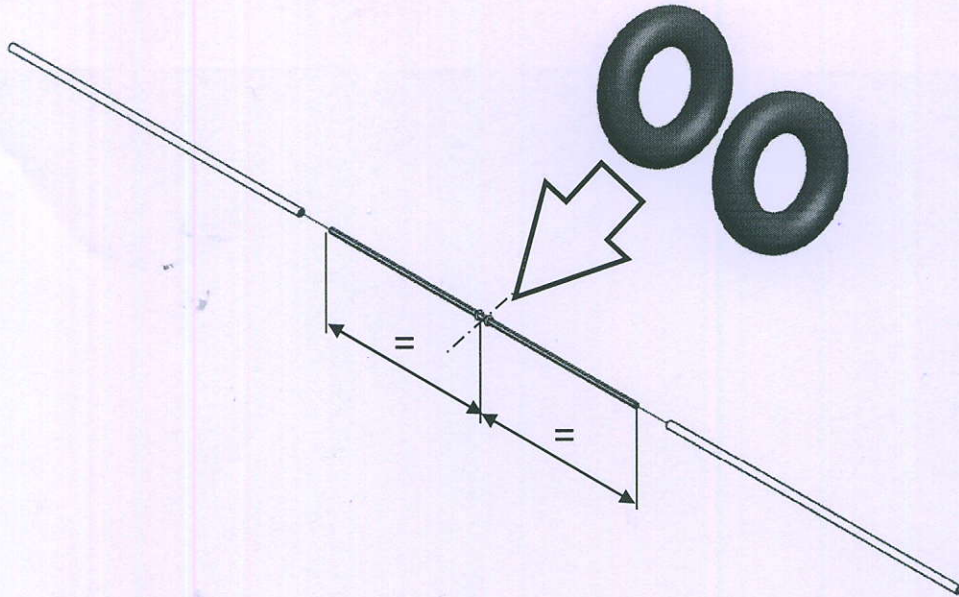


2

$x = y$

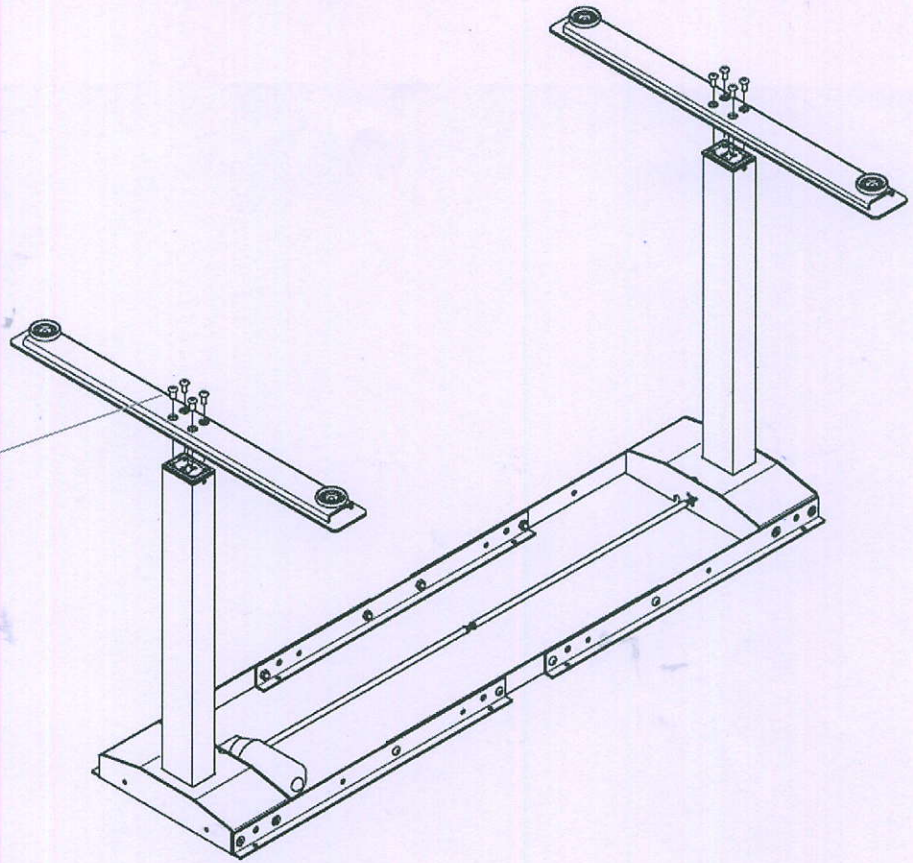


3



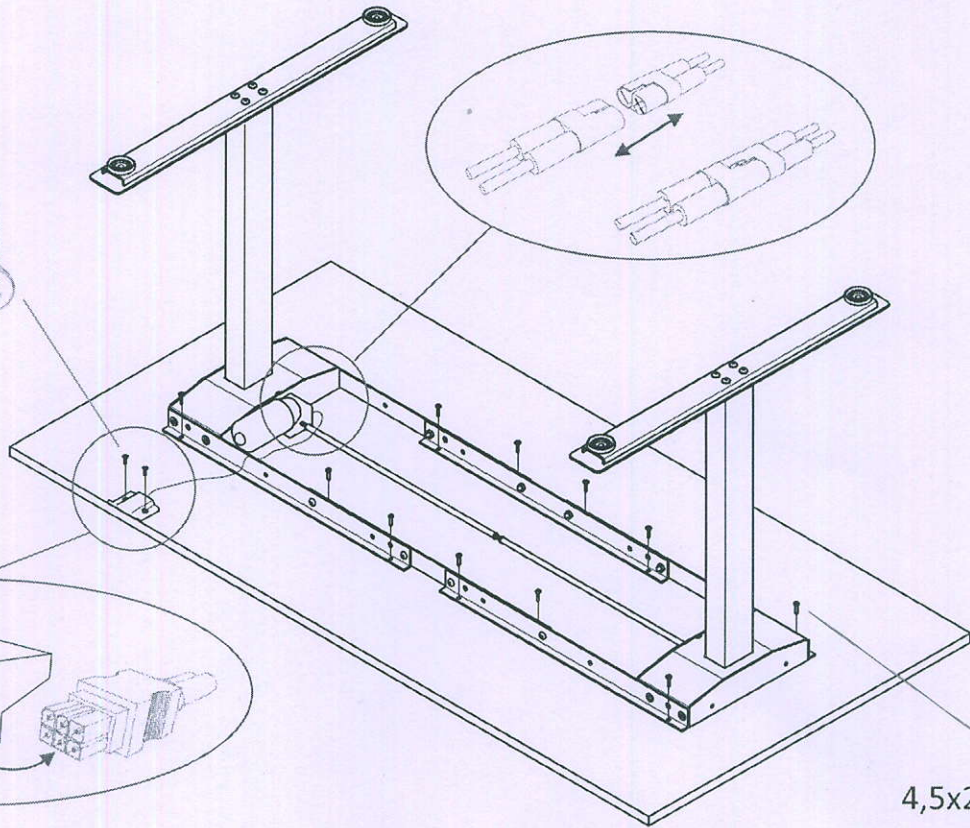
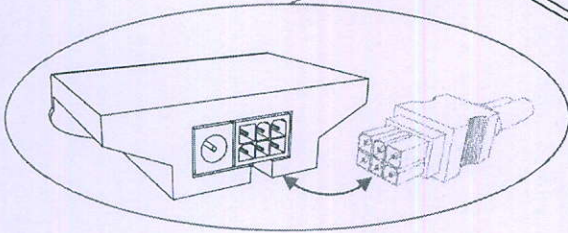
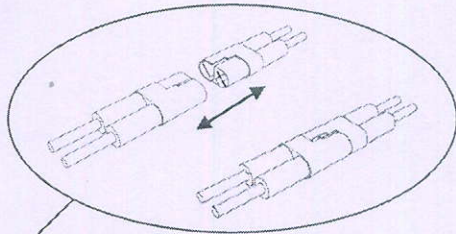
4

M8x16



5

3,5x16

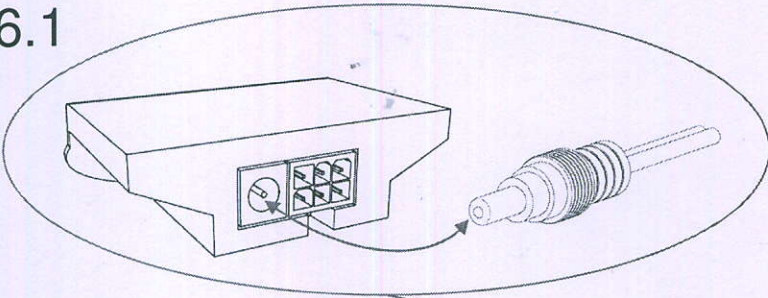


4,5x20



6

6.1



6.2

