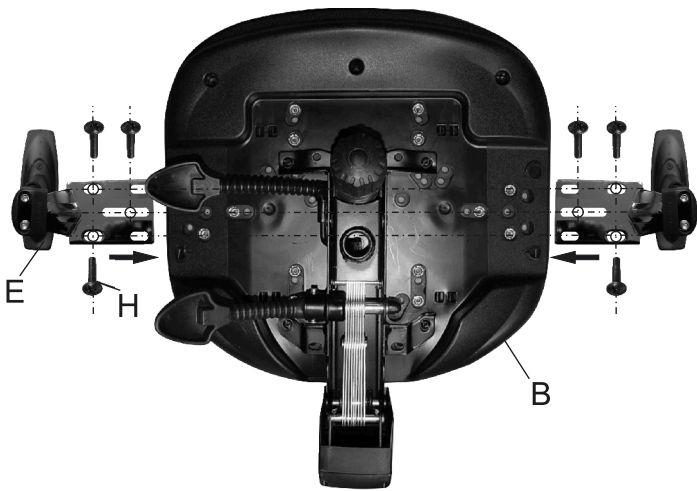
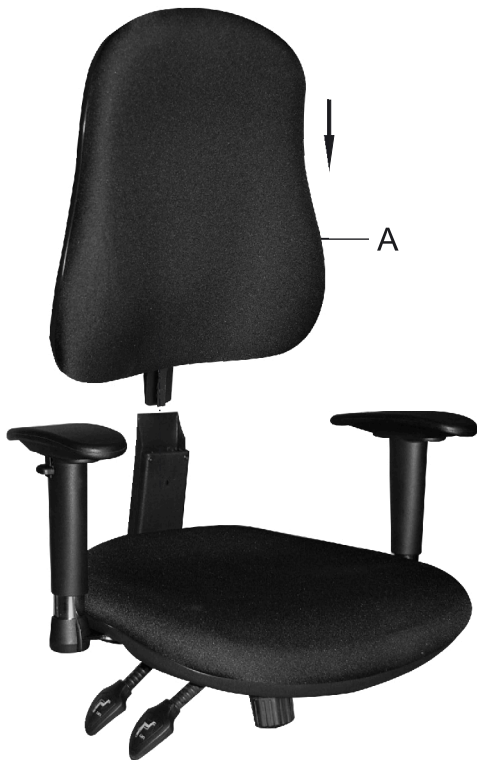


ASSEMBLY INSTRUCTION

1



2



3



A x1



B x1



C x1



D x5



E x2



F x1



G x1



H x6

OPERATING INSTRUCTION



Height adjustment of the seat



Height adjustment of the back



Reclining of the back



Height adjustment of the armrest



Tension adjustment
of back and seat inclination