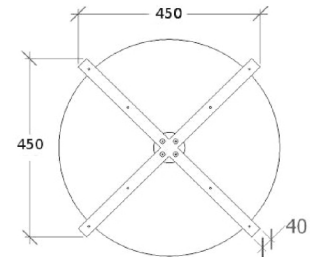
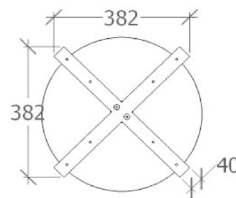
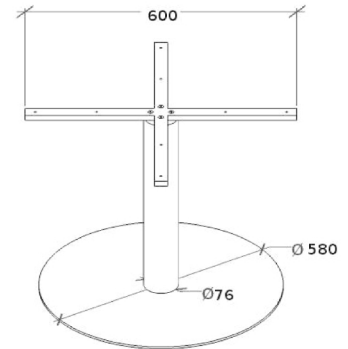
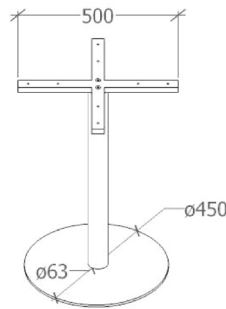
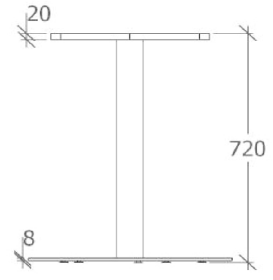
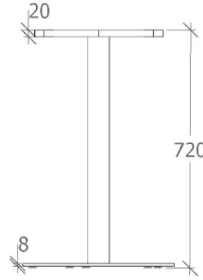
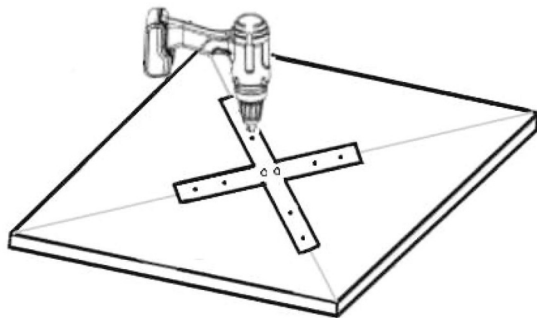


SB2010 pilars- assembling guidance



SB pilars

Consists of:

Round base

pillar

Top crossing for

Screws

- Fasten the pillar to the base
- Fasten the crossing on top of the pillar
- Put the tabletop up-side down on the floor (make sure not to harm the tabletop by placing it on a soft surface)
- Fasten the substructure to the tabletop