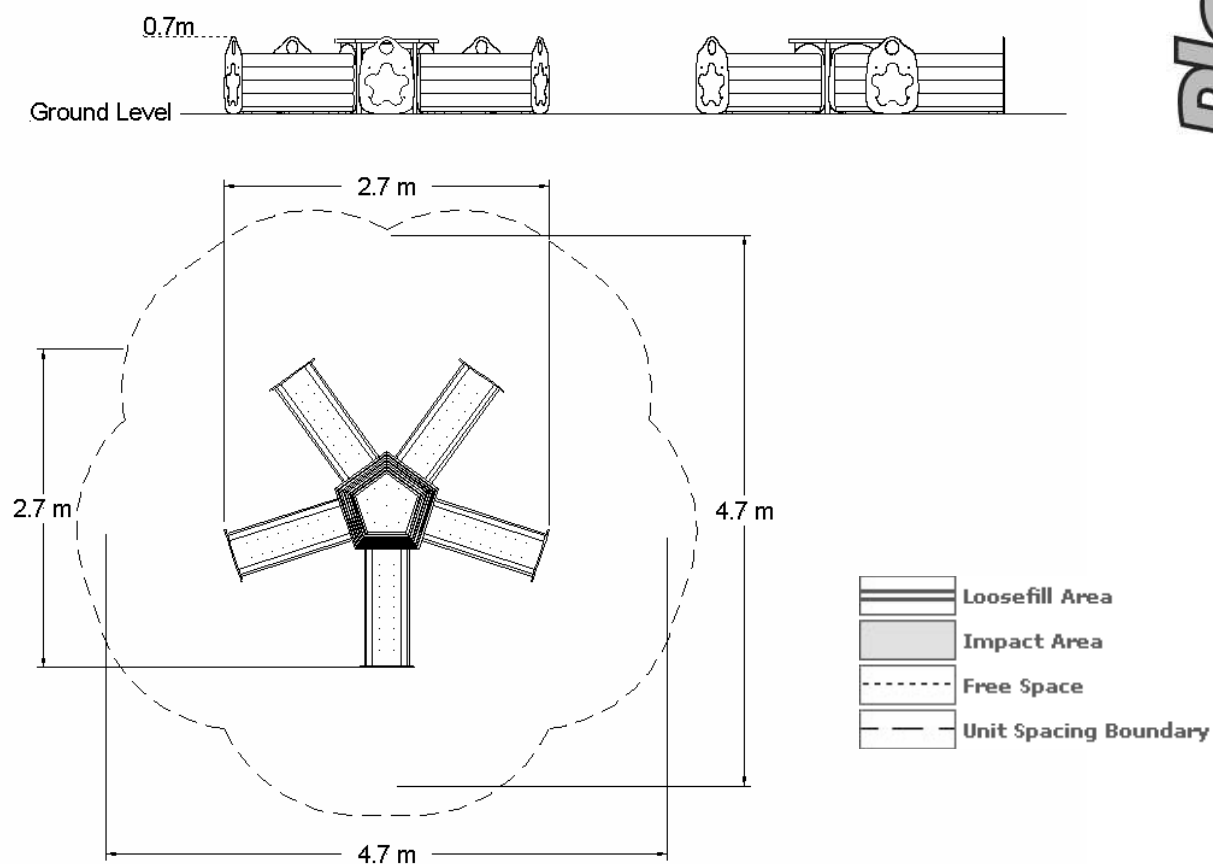


Complete Modular Planter



Technical Information

Equipment Dimensions

Length / Width / Height 2.7m x 2.7m x 0.7m

Surfacing and Area Required

Minimum Space Required L/W/H 4.7m x 4.7m x 2.4m

Max Gradient Of Ground 1:50

Free Height Of Fall 0mm

Suggested Hardstanding n/a

Installation Information

Overall Weight 285kg

Heaviest Part 48kg

Largest Part 1.0m x 0.5m x 0.7m

Longest Part 1.0m

Concrete Required n/a