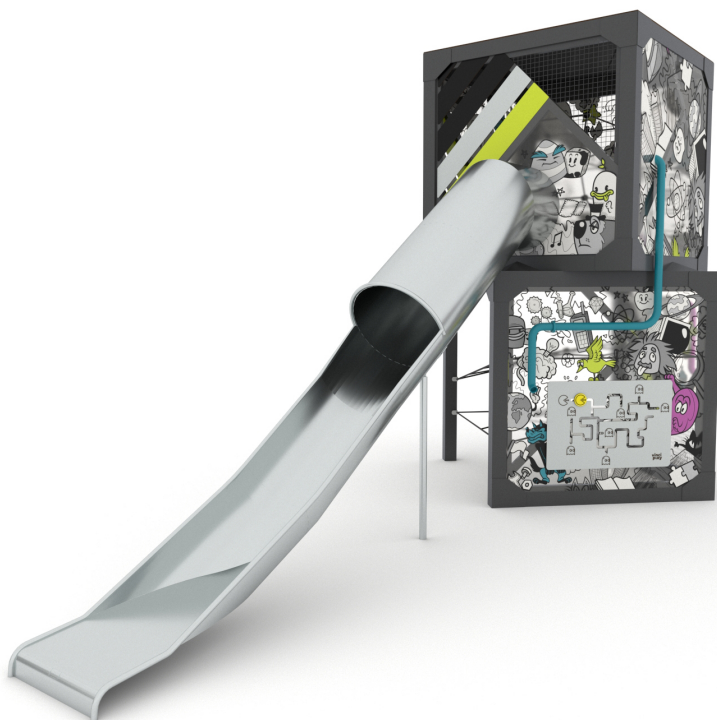


**Product technical sheet**

**QUBIX 2503**



4 - 14 years



33 kids



43,9 m<sup>2</sup>



**Material specification**

- Hot-dip galvanized and powder coated construction of 140x140 mm profile,
- Transparent polycarbonate panels with a weather-resistant print,
- Covers made of hot-dip galvanized and powder coated steel mesh,
- Side panels made of durable HPL plate, resistant to weather conditions,
- Stainless steel tube slide,
- Moving elements made of durable HPL plate, resistant to weather conditions,
- Spherical windows made of polycarbonate,
- Musical panels made of stainless steel pipes, with a paddle made of certified, safe rubber attached,
- "Talking pipe" - a pipe made of hot-dip galvanized and powder-coated steel,
- Steel ropes in polypropylene braid, connected with durable plastic elements, stainless steel or aluminum,
- Calibrated stainless steel chains, preventing fingers entrapment,
- Stainless steel screws and/or screws covered with plastic caps,



**Facilitating disability**



sound stimulation



shelters



integration



**Intellectual development**



manipulation



music



thinking



**Physical development**



sliding



climbing





**1**  
number of  
slides



**2**  
number of  
interactive  
elements



**2**  
number of activity  
elements

**Product technical sheet**

**QUBIX 2503**

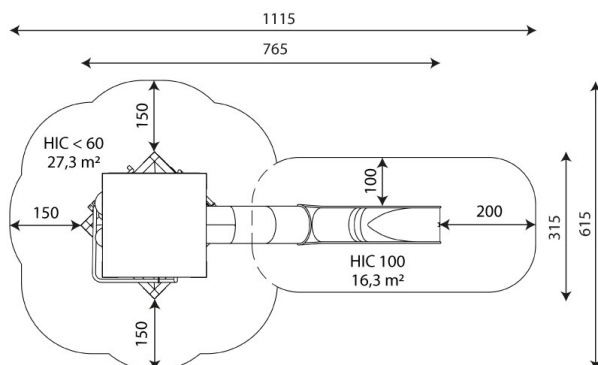
**Product data**

|                                |                     |
|--------------------------------|---------------------|
| Length                         | 765 cm              |
| Width                          | 315 cm              |
| Total height                   | 445 cm              |
| Age group                      | 4 - 14 years        |
| Number of users                | 33 kids             |
| Safety zone                    | 43,9 m <sup>2</sup> |
| Free fall height               | < 60 cm             |
| tube slide platform height     | 220 cm              |
| In accordance with norm EN     | 1176-1:2017         |
| Weight of the heaviest part    | 216 kg              |
| Dimensions of the largest part | 498x327x86 cm       |
| Availability of spare parts    | YES                 |
| Installation time              | 4 h                 |

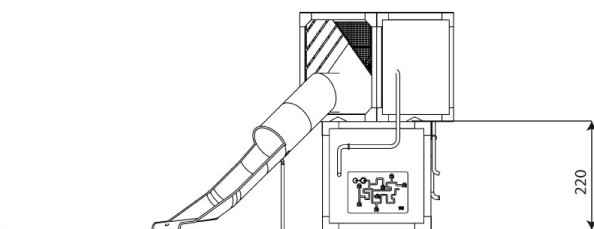
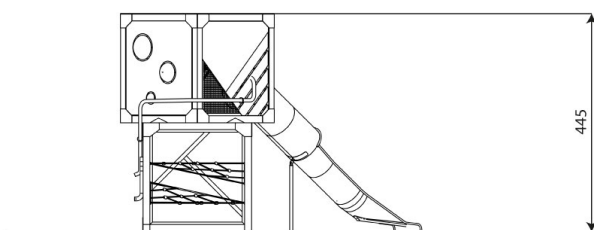
Data is subject to change without prior notice.

**Additional information**

- equipment adapted for the disabled; intended for public playgrounds;
- equipment has a certificate issued by an accredited entity or a declaration of conformity;
- no sharp edges or chinks that would pose a danger of jimmie the head, fingers or any other body parts;
- anchoring on flat surface, 80/70/60 cm deep;
- slide should not be installed southwards;
- render is for reference only, the actual appearance of the equipment and its color may vary;



43,9 m<sup>2</sup>



**Guarantee**

**30**

30 year guarantee - Structural strength of steel and stainless steel components

**15**

15 year guarantee - Structural failure of steel and stainless steel, for dynamic equipment

**10**

10 year guarantee - Structural failure of high density polyethylene and high pressure laminates components

**5**

5 year guarantee - Corrosion of stainless steel and hot dip galvanized and powder coated components; against bark beetles and rot in case of wooden structural elements

Detailed information in the guarantee card



## Surfaces according to EN 1176-1:2017

|                                 | Description (mm)             | Layer thickness (cm) | Maximum fall heights (cm) |
|---------------------------------|------------------------------|----------------------|---------------------------|
| Turf/ top layer of soil (A,B,C) | -                            | -                    | ≤100                      |
| bark (A,C)                      | Particle size from 20 to 80  | 30                   | ≤200                      |
|                                 |                              | 40                   | ≤300                      |
| woodchips (A,C)                 | Particle size from 5 to 30   | 30                   | ≤200                      |
|                                 |                              | 40                   | ≤300                      |
| sand or gravel (A,C)            | Particle size from 0,25 to 8 | 30                   | ≤200                      |
|                                 |                              | 40                   | ≤300                      |
| synthetic attested (A,B,C)      | Tested according to EN 1177  |                      | < 60                      |

## Product technical sheet

# QUBIX 2503

### Amount of safe surface corresponding with free fall height:

HIC <60 27,3 m<sup>2</sup>

HIC 100 16,3 m<sup>2</sup>

Data is subject to change without prior notice.

