

DISPOSAL / RECYCLING



IMPORTANT SAFEGUARDS

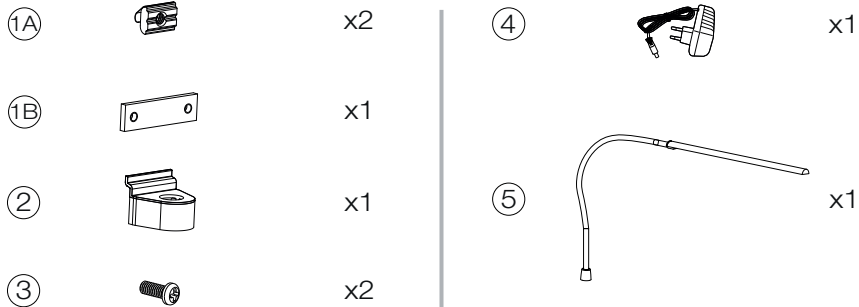
To ensure that your lamp lasts, please see the below recommendations.

1. Make sure that the rating label of the adapter corresponds to the power output of the usage environment.
2. See the user manual for the correct cleaning procedures.
3. Indoor use only.
4. The light source in this luminaire shall only be replaced by the manufacturer, manufacturers service agent or similarly qualified person.

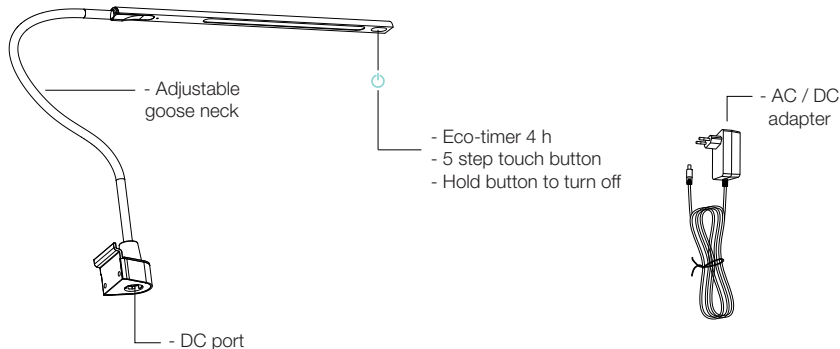
WARRANTY

- Warranty ensures that this product will operate for the period of 2 years based on an average usage of up to 8 hours per day when used in accordance with the directions and specifications stated in this manual.
- If this product fails to conform to the warranty a replacement product is guaranteed upon presentation of a valid sales receipt.

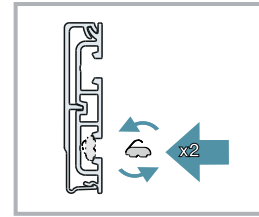
PRODUCT COMPOSITION



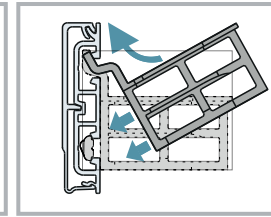
PRODUCT DESCRIPTION



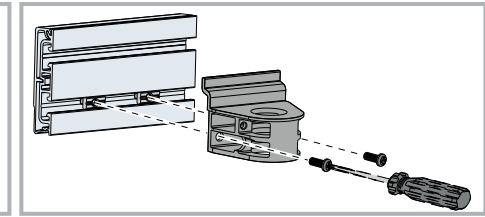
ASSEMBLY AND INSTALLATION



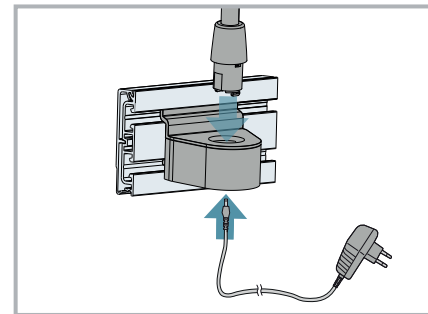
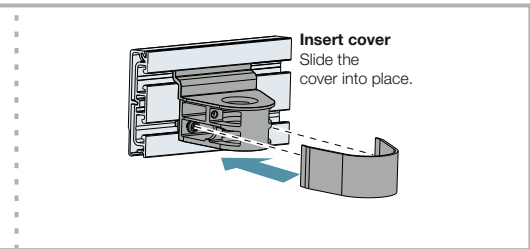
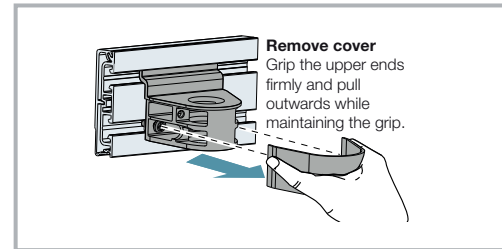
Decide on nut variant ①A or ①B. Place it into the aluminum profile track. The sliding nut ①B has to be inserted from the side.



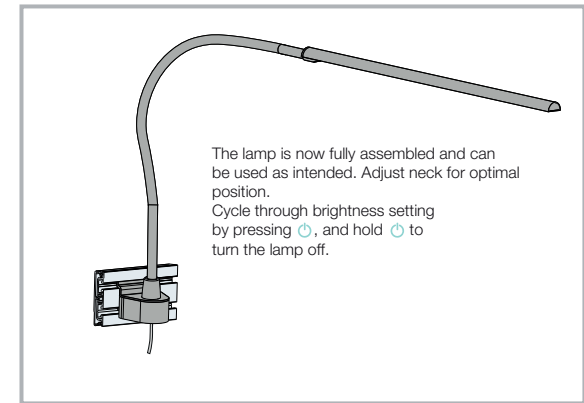
Remove the bracket's ② cover. (See instruction below). Once off, hook the bracket flange into the upper track.



Fully align the brackets screw holes with the nuts. Use screws ③ to fixate the bracket to the aluminum profile.



Connect the power adapter ④ to an outlet. Insert the power cord through the bracket ③ from below and plug it to the bottom of the lamp ⑤.



NATURAL LIGHT

Conceptum Lamp's CRI is 93. It reproduces a natural type of light source. CRI = Color Rendering Index

Color Rendering Index (CRI) is the index which shows how close a light source is to natural sunlight. The CRI of natural sunlight is 100%. The higher the CRI value is, the closer it is to natural sunlight.